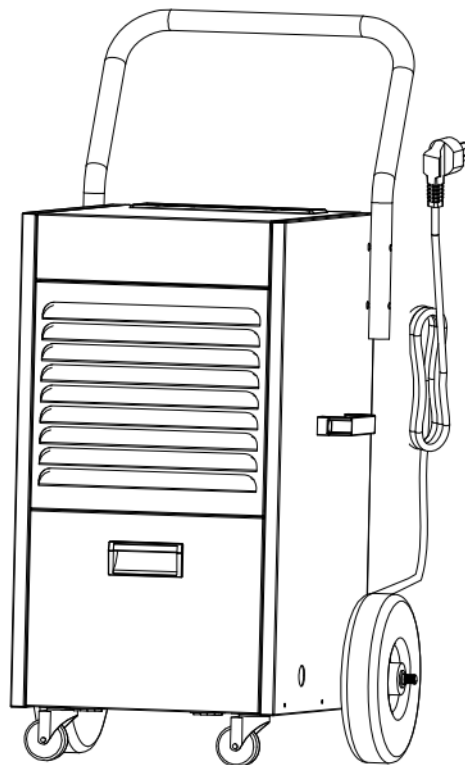




# Meaco 50Lm-v2 Instruction Manual



## **Meaco 50Lm Dehumidifier**

*Please read this instruction manual before using the dehumidifier and keep safe for future reference.*

**Thank you for choosing Meaco, we really appreciate it.**

## SAFETY INFORMATION

---

*This dehumidifier must not be used in rooms under the following conditions:*

- Potentially explosive atmosphere
- Aggressive atmospheres
- Featuring a high concentration of solvents
- An extremely high ratio of dust



**Keep Children Away:** Do not allow children to play with or around this unit, which could result in injury. Be sure the unit is inaccessible to children when not attended. This appliance is not intended for use by person (including children) with reduced physical, sensory or mental capabilities, or lack of experience and knowledge, unless they have been given supervision or instruction concerning use of the appliances by a person responsible for their safety.

**Keep Unit Grounded:** Always operate the unit with a grounding plug and a grounded electrical outlet. A grounding plug is an essential safety feature that helps reduce the risk of shock or fire.

**Protect Power Cord from Damage:** Never operate a unit with a damaged power cord, as this may lead to electrical or fire hazards. If the power supply cord is damaged, it must be replaced by a cord of the same type and amperage rating.

**Extension Cords:** Extension cords must be grounded and able to deliver the appropriate voltages to the unit.

**External Timers:** Never operate the dehumidifier with an external timer. Doing so could damage the internal components and will decrease the lifespan of the product. Using the unit with an external timer will invalidate the warranty.

**Handle with Care:** Do not drop, throw or crash the dehumidifier. Rough treatment can damage the components or wiring and create a hazardous condition.

**Run on Stable Surface:** Always operate the unit on a stable, level surface, for example the floor or a strong counter, so that the dehumidifier cannot fall and cause injury.

**Keep Out of Water:** Never operate the unit in pooled or standing water, as this may create a risk of injury from electrical shock. Do not store or operate outdoors. If electrical wiring or components become wet, thoroughly dry them before using the unit. If in doubt do not use the dehumidifier and consult a qualified electrician or a Meaco approved engineer.

**Do Not Let Water Drip onto the Dehumidifier:** Do not allow water to drip onto the dehumidifier at any time.

**Keep Air Intakes Clear:** Do not clog or block the air intakes by placing the dehumidifier too close to curtains, walls or anything that will restrict the air inlet. This may cause the unit to overheat and result in a fire or electrical hazard.

**Keep the Filter Clean:** There is a filter on the air inlet to stop dust from getting inside the dehumidifier. If you allow the dust and dirt to build up on the filter, pressure on the fan motor will be increased and you will reduce the amount of water extracted from the air. Not cleaning the filter reduces the lifespan of the dehumidifier, increases energy consumption and decreases water extraction. Please examine and clean the filter a minimum of every week.

**Keep Electrical Components Dry:** Never allow water inside the dehumidifier's electrical components. If these areas become wet for any reason, thoroughly dry them before using the dehumidifier. If in doubt, do not use the dehumidifier and consult a qualified electrician or a Meaco approved engineer.

The operator must make the operating instruction available for the user and make sure that the user does understand the manual.



The Meaco 50Lm-v2 Dehumidifier uses the new R290 refrigerant gas to comply with European Environmental Directives. R290 is kinder to the environment and is part of attempts to reduce global warming as it has a low greenhouse effect (GWP).

When using the Meaco 50Lm-v2 Dehumidifier you must take into account the following:

- This dehumidifier uses about 230 grams of R290 refrigerant which is flammable, therefore it is part of a sealed system and must only be serviced by a trained Meaco engineer.
- Do not use or store this dehumidifier in a room smaller than 12m<sup>2</sup> to prevent a fire or explosion hazard if there is a leak of refrigerant and the gas comes into contact with an ignition source.
- Do not use in a room with any continuous sources of ignition, for example open flames, gas fires or hobs, cigarettes or any other sources of ignition.
- Do not use means to accelerate the defrosting process or to clean, other than those recommended by a trained Meaco engineer.
- If the dehumidifier is installed, operated or stored in a non-ventilated area, then the room must be designed to prevent the accumulation of refrigerant leaks resulting in a risk of fire or explosion due to ignition of the refrigerant caused by an operating electric heaters, operating gas appliances or other sources of ignition.
- R290 refrigerant gas is odourless.
- Do not puncture or burn either during the units working life or after. At the end of life dispose of following local recycling regulations.
- If there is any damage to the unit then do not use it and contact Meaco or your retailer.
- As with all dehumidifiers, always keep upright and leave the dehumidifier standing upright for 24 hours before using it upon receipt.



Failure to comply with these instructions could result in fire, damage to property, serious injury or potentially death.

Individuals who operate or work on the refrigerant circuit must have the appropriate certification issued by a national accredited organisation that ensures competence in handling flammable refrigerants according to a specific evaluation recognised by national associations in the industry and compliant with the latest R290 guidance.

Servicing should only be carried out by a Meaco approved engineer using original Meaco parts to prevent damage to the unit and potential injury to the engineer.

## WIRING INSTRUCTIONS

---


Should it be necessary to change the plug, please note the wires in the mains lead are coloured in accordance with the following code:

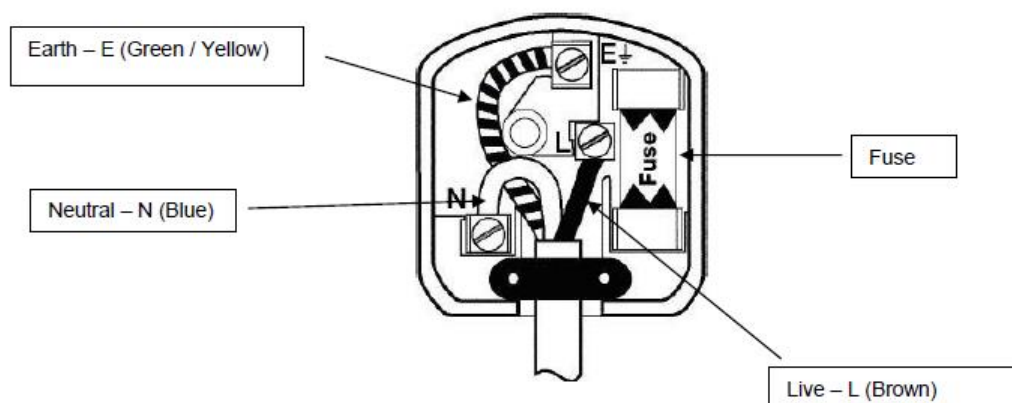
BLUE – NEUTRAL  
BROWN – LIVE  
GREEN AND YELLOW – EARTH

As the colours of the wires in the mains lead of this appliance may not correspond with the coloured markings identifying the terminals in your plug, proceed as follows:

1. The **BLUE** wire is the NEUTRAL and must be connected to the terminal which is marked with the letter N or coloured **BLACK**.
2. The **BROWN** wire is the LIVE and must be connected to the terminal which is marked with the letter L or coloured **RED**.
3. The **GREEN/YELLOW** is the EARTH and must be connected to the terminal which is marked with the letter E or coloured **GREEN** or **GREEN/YELLOW**.
4. Always ensure that the cord grip is positioned and fastened correctly.
5. Only ever use the same fuse as fitted in the original product, if in doubt please contact Meaco first, or a qualified electrician.

### Example wiring for a Standard British Plug:

Please note: The Earth Terminal is marked with the letter E or Earth Symbol .



## GENERAL ADVICE

---

- Before putting your dehumidifier into operation for the first time, the instruction manual should be studied carefully.
- After receiving the unit, you should check your dehumidifier for any transport damage. In case of damage, you should inform the sender immediately.
- Store the dehumidifier box and packaging in a safe place – this will be required if the dehumidifier requires a service in the future. In order to save space, you can simply cut through the adhesive tape using a knife and fold up the cardboard box.

## DEHUMIDIFIER PRINCIPLES

---

This dehumidifier is designed to reduce humidity from the air in a building or part of a building. The purpose is to prevent humidity damage and to dry out wet materials such as carpet, floors, walls, furniture, contents, timber and structural materials.

This dehumidifier can prevent the formation of condensation, reduce air humidity and keep constant a desired relative humidity level. The time necessary for the dehumidifier to dry a room and reach the desired humidity level depends on the environmental conditions prevailing within the room. For example, the number of air changes with outside air, any sources of moisture and the room temperature can all either speed up or slow down the dehumidification process.

The dehumidifier functions according to the condensation principles with heat recovery. The fan takes the humid air from the room, in and across a filter, and then through an evaporator. Here the air is cooled below dew point, so that the water vapour of the air forms a condensate on the coils, which flows into the internal container ready to be poured away. The cooled and dried air is heated again by a condenser. By recycling the room air through the dehumidifier repeatedly, the moisture content and relative humidity of the air is reduced.

## SET UP AND TRANSPORTATION

---

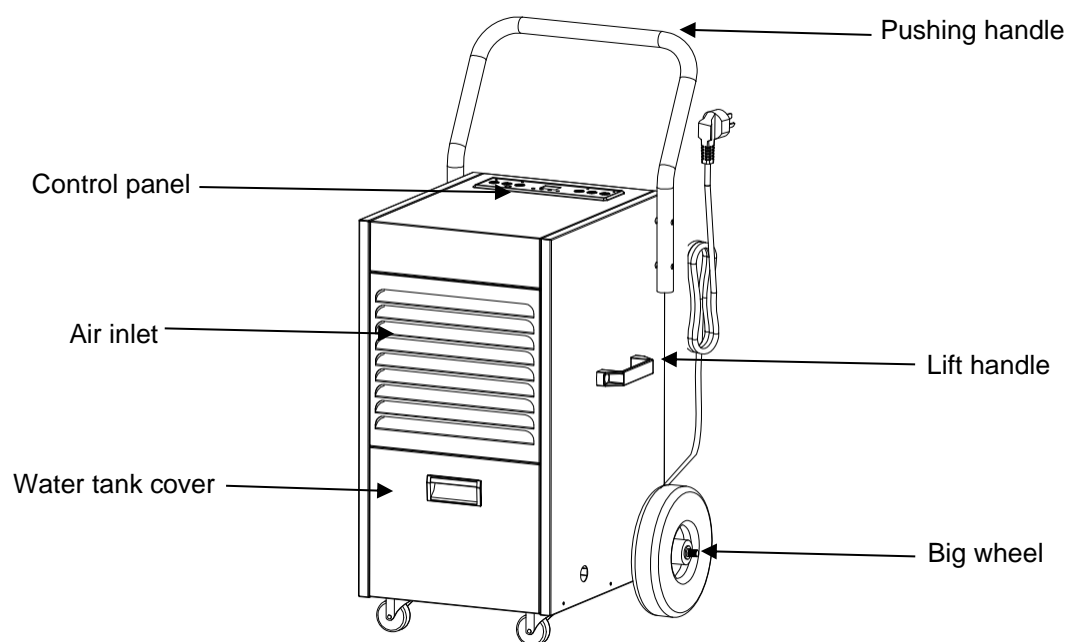
The following instructions must be considered:

- Before using the dehumidifier, leave it to stand upright for 24 hours.
- Plug the unit directly into a wall socket and it will automatically enter continuous mode.
- Ensure there is at least 30cm of space around the unit to enable adequate air flow. The air inlet and the air outlet must not be covered whilst the dehumidifier is in operation.
- Make sure the water tank is securely in place. The unit will not switch on unless the water tank is secure.
- If you need to move the dehumidifier, it must be switched off by the power button on the unit. The mains plug must be removed from the socket and the water tank should be emptied.
- For transportation, the dehumidifier should be secured on a level base only and must be prevented from rolling around.
- The dehumidifier must always be transported vertically – if the dehumidifier has been in a horizontal position for any time over a few minutes, you must let it stand in the upright position for at least 8 hours before operating. This allows the oil to drain back into the compressor.

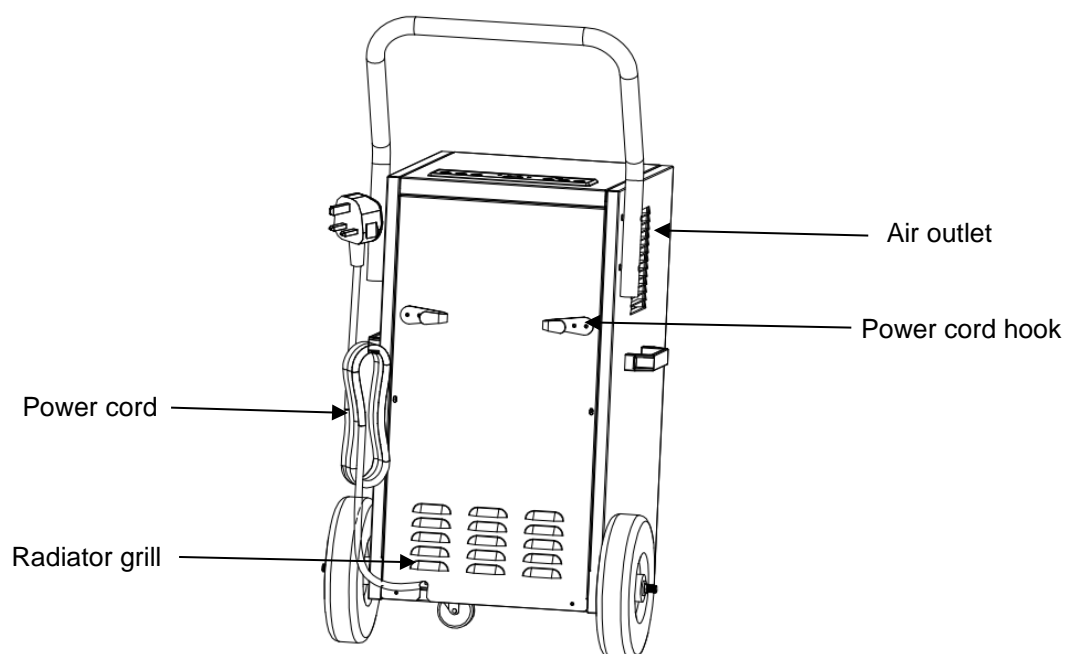
## PRODUCT IDENTIFICATION

---

### Front of the dehumidifier



### Back of the dehumidifier

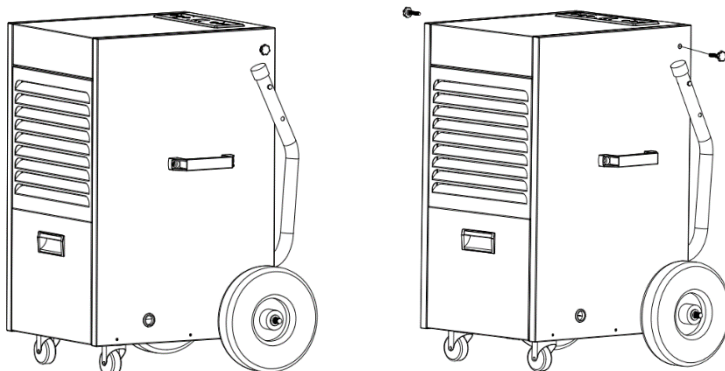


## INSTALLATION

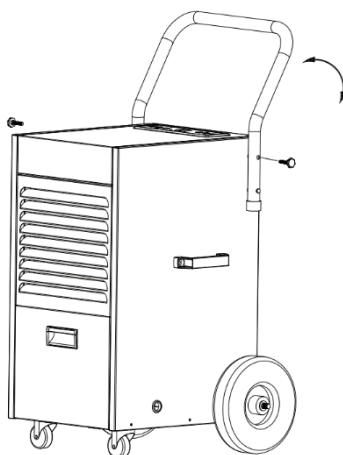
---

### **Before use**

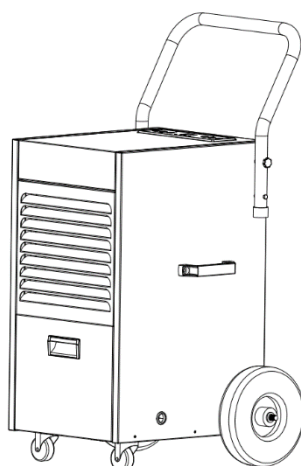
1. Remove the dehumidifier from the packaging and take down the hand-screw.



2. Rotate the pushing handle, aim it at the hole site, then tighten the hand-screws.

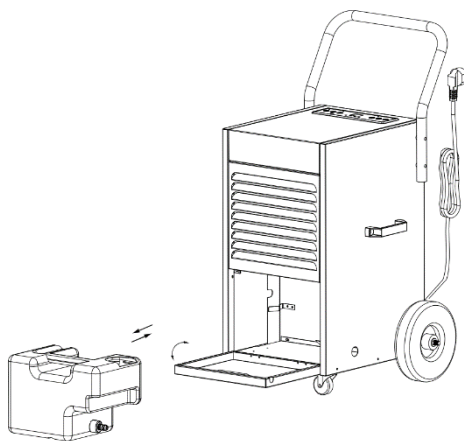


3. Installation complete.



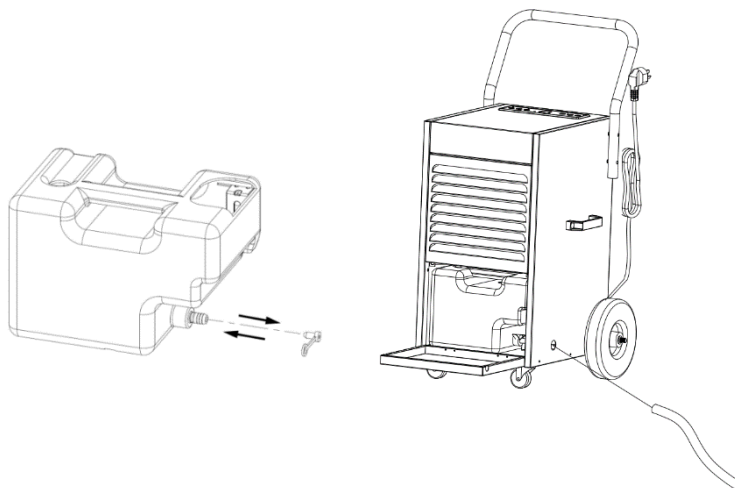
### **Emptying the water tank**

1. When the water tank is full, the 'FULL' light will turn on.
2. The dehumidifier will also make a buzzing sound – to stop this, press the power button to turn the machine off.
3. To empty the water tank, open the front panel. Hold the water tank by its handle and pull it out horizontally.
4. Empty the water and reinsert the water tank. Close the front panel. The dehumidifier will continue to run on the previous setting.



### **Continuous drainage**

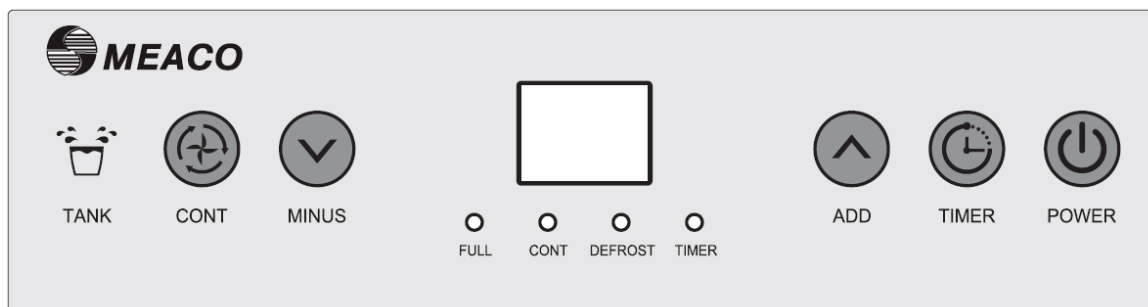
1. Open the front panel, remove the water tank and empty its contents.
2. Remove the plug and attach the drainage pipe to the connector. Direct the pipe to its desired drainage outlet before turning the dehumidifier on.
3. Make sure the water tank and drainage pipe are not blocked. Shut the front panel.
4. The end of the drainage pipe should not be higher than the outlet hole. If the drainage pipe end is not higher than the outlet hole, the water will not drain and it could damage internal components of the dehumidifier.
5. If you wish to stop using continuous drainage and empty the water via the water tank, make sure you reinsert the plug.





## CONTROL PANEL AND OPERATION

---



### **Power button**

Press the power button to turn the dehumidifier on. The LED lights will display, and the dehumidifier will automatically enter continuous mode. The display screen will show the relative humidity level. The compressor is on. Press the power button again to enter standby mode – the compressor will turn off and the display screen will show '- -'.

### **Timer button**

Press the timer button whilst the dehumidifier is in standby mode to set an on timer. Use the minus and add buttons to set the number of hours in which you want the dehumidifier to turn on. Once the count down has finished, the fan and compressor will turn on.

Press the timer button whilst the dehumidifier is running to set an off timer. Use the minus and add buttons to set the number of hours in which you want the dehumidifier to turn off. Once the count down has finished, the fan and compressor will turn off.

Press the timer button for three seconds to see the current temperature. After ten seconds the display screen will change back to the relative humidity.

### **Add button**

Use the add button to increase the set target humidity level. With each press the humidity level will increase by 5%rh.

### **Minus button**

Use the minus button to decrease the set target humidity level. With each press the humidity level will decrease by 5%rh

**Note:** the default target humidity level is 50%rh. The add and minus button will move through the humidity levels the following order:

20% - 25% - 30% - 35% - 40% - 45% - 50% - 55% - 60% - 65% - 70% - 75% - 80% - 85% - 90%

### **Continuous button**

In continuous mode the dehumidifier will continue to run until the setting is changed, the dehumidifier is manually turned off or the timer has finished (regardless of the humidity level).

## OTHER FUNCTIONS

---

### AUTOMATIC DEFROSTING SYSTEM

During normal dehumidifying operation, ice may form on the evaporator. This dehumidifier is equipped with an automatic hot-gas defrosting system, if ice is detected by the temperature sensor, it will defrost automatically according to the following principle:

- A temperature sensor measures the condition existing in the critical area of the evaporator.
- It transmits an electrical signal to the main electronic board. It has been designed to avoid frequent defrost cycles and consequent loss of efficiency.
- The relay switches off the fan and simultaneously opens the solenoid valve.
- Hot gas is guided into the evaporator until the latter is completely free of ice.
- Subsequently, the dehumidifier will operate again in its normal mode when the temperature sensor measures +7 degrees.
- The time between defrost cycles is 20 minutes every time the unit resumes normal operation.

### MEMORY FUNCTION / AUTO RE-START

When the dehumidifier is switched off, either by the mains or via a power cut, when turned back on the dehumidifier will continue to run in the same settings it was previously running on.

If you wish to reset the dehumidifier to its factory default settings switch the dehumidifier off using the mains button, unplug it from the mains, wait a few minutes, plug it back into the mains and then switch the unit back on using the mains.

## MAINTENANCE

---

Always turn off the power and disconnect the main cable before performing maintenance procedures.

### INSPECT ELECTRICAL SYSTEM

- Inspect the electrical cord for damage at regular intervals.

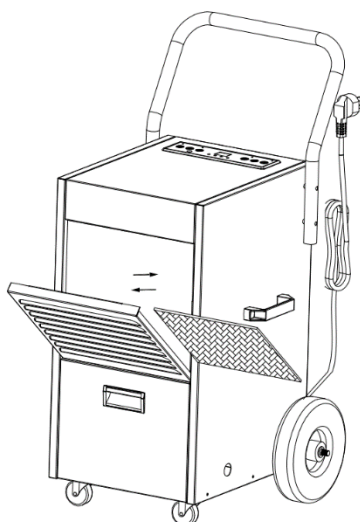
### CLEANING THE EXTERIOR

- Clean the exterior with a soft, dry cloth. If the device is extremely dirty, use a mild cleaning agent or wipe the dehumidifier with a slightly damp cloth. Never spray the device with water.

### CLEANING THE FILTER

When used regularly, the filter may become clogged with dust and dirt particles. The filter must be cleaned a minimum of every two weeks (not doing so could invalidate the units' warranty). Please use the following steps:

- Pull the louvre on the front panel to gain access to the filter.
- Remove the filter from the dehumidifier.
- Clean both sides of the filter with the end of a Hoover or soapy water no hotter than 40°C. Rinse and dry completely before inserting back into the dehumidifier.



## STORAGE

---

If the machine will not be used for a long period of time, take the following steps:

1. Remove the plug from the socket and empty the water tank. Allow the water tank and the dehumidifier to dry completely, this can take a couple of days.
2. Clean the filter and store the device in a dust-free location away from direct sunlight, preferably covered with a sheet of plastic.

## SPECIFICATIONS

---

### ELECTRICAL CONNECTIONS

This dehumidifier is designed to operate in a 230V~50Hz electrical installation. Make sure that the electric sockets are connected to earth and that all safety precautions are taken.

### OPERATING CONDITIONS

This dehumidifier can be operated within an ambient temperature range from +5°C to +32°C, and with a relative humidity from 20%rh to 90%rh. It is suitable for applications residential buildings, offices, museums, archives, garages and storage rooms.

<b>Temperature Range</b>		+5 °C / +38°C
<b>Relative Humidity Range</b>		20% - 90%rh
<b>Rated Voltage</b>		230V / 50Hz
<b>Sound Pressure Level</b>		<52dB(A)
<b>Tank Size</b>		5.5 litres
<b>Power Consumption at 30°C and 80%rh</b>		650W
<b>Refrigerant</b>		R290 / 230g
<b>Drying Capacity (L/24H)</b>	<b>30°C and 80%rh</b>	50 litres per day in Continuous Mode
	<b>26.7°C and 60%rh</b>	28.7 litres per day in Continuous Mode
<b>Dehumidifier Dimensions (HWD)</b>		892 x 469 x 474 mm
<b>Nett Weight</b>		36Kgs

## TROUBLESHOOTING

---

<b>SYMPTON</b>	<b>CAUSE</b>	<b>SOLUTION</b>
<b>E1</b>	Temperature sensor error	Please contact Meaco
<b>E2</b>	Humidity sensor error	Please contact Meaco
<b>CL</b>	The room temperature is below 5°C	The dehumidifier only works between 5°C and 38°C
<b>CH</b>	The room temperature is above 38°C	The dehumidifier only works between 5°C and 38°C
<b>LO</b>	The room humidity is below 20%rh	There humidity level is too low, there is no moisture to collect
<b>HI</b>	The room humidity is very high and above 95%rh	Set the dehumidifier to run on continuous mode or to reach a target humidity level of 50%rh

## WARRANTY AND CUSTOMER SERVICE

---

There is a two-year manufacturer's warranty on your dehumidifier from the date of purchase. Please register your purchase at <https://meaco.com/warranty-register> - as a thank you, you will be entered into our monthly free prize draw to help support the David Shepard Wildlife Foundation. Registering also allows us to keep you update with any important developments concerning your product.

Within the two-year manufacturer's warranty, all manufacturing defects will be repaired free of charge (excluding damage to the units' filter and water tank which can be subject to wear and tear).

The following applies:

1. Any repairs or replacement of components during the warranty period will not result in an extension of the warranty period.
2. The warranty will expire if any alterations have been made, not genuine components have been fitted or if the dehumidifier has been repaired by a third party.
3. Components subject to normal wear and tear are not covered by the warranty.
4. The warranty is only valid on presentation of the original, unaltered, and date-stamped purchased receipt.
5. The warranty does not cover damage caused by actions that deviate from those as described in the user's manual or by neglect.
6. The warranty does not cover faults caused by dirt or by third-party products.
7. The warranty does not cover accidental damage.
8. All claims for compensation, including consequential damage, will not be entertained.
9. Using a third-party switching device that turns the dehumidifier on or off via the mains will invalidate the warranty.

To prevent unnecessary expenses, we recommend that you always carefully read the user's manual first. If this does not provide a solution, please call Meaco and we will be happy to help.

Please record, for future reference, your date of purchase and where you bought the dehumidifier from here.

*Date of purchase:* .....

Purchased from [www.meaco.com](http://www.meaco.com) (if not, then please record the supplier's name below).

*Suppliers name:* .....

If your dehumidifier develops a fault at any time, please contact us and we will always try and help you as best we can.

Please keep hold of the original box and packaging your unit arrived in just in case we need to collect the dehumidifier from you for a repair/service in the future.



This marking indicates that this product should not be disposed with other household wastes throughout the UK and EU. To prevent possible harm to the environment or human health from uncontrolled waste disposal, recycle it responsibly to promote the sustainable reuse of material resources. To return your used device, please use the return and collection systems or contact the retailer where the product was purchased. They can take this product for environmentally safe recycling.

