



# SMART

8 eco/ 10 eco/ 12 eco/ 14 eco/ 16M

DEHUMIDIFIER  
DEZUMIDIFICATOR  
LUFTENTFEUCHTER  
DESHUMIDIFICADOR  
DÉSHUMIDIFICATEUR  
DEUMIDIFICATORE  
PÁRÁTARTÓ  
ОБЕЗВЛАЖНИТЕЛ

Instruction manual  
Manual de instructiuni  
Bedienungsanleitung  
Manual de instrucciones  
Manuel d'instructions  
Manuale di istruzioni  
Használati utasítás  
Инструкция за употреба



R290



---

EN RO DE ES FR IT HU BG

turbionaire.com

# EN:CONTENT

1.	BEFORE YOU BEGIN	4
2.	SAFETY PRECAUTIONS ON SERVICING	5
3.	PRODUCT OVERVIEW	9
4.	INSTALLATION	11
5.	OPERATION	12
6.	MAINTENANCE	16
7.	TROUBLESHOOTING	17
8.	DECOMMISSIONING	18

Thank you for selecting our dehumidifier.  
Be sure to read this manual carefully before using it.  
*Please keep this manual carefully for further reference!*

# 1. BEFORE YOU BEGIN

**Please read the operating instructions carefully before using your dehumidifier for the first time.**

## A. PRODUCT DESCRIPTION

The dehumidifier is used to remove excessive moisture from the air. The resulting reduction in relative humidity protects buildings and their contents from the adverse effects of excess humidity. **WARNING:** The impedance of the unit must not exceed 0.236 ohms. Failure to comply with these requirements may result in restrictions being imposed by the power supply authorities. Refer to the local power supply authorities if the electrical impedance exceeds 0.236 ohms.

The environmentally friendly R290 is used as the refrigerant. R290 has no damaging influence on the ozone layer (ODP), a negligible greenhouse effect (GWP) and is available worldwide. Because of its efficient energy properties, R290 is highly suitable as a coolant for this application. Special precautions must be taken into consideration due to the coolant's high flammability.

## B. SYMBOLS ON THE UNIT AND USER MANUAL



### Warning!

This unit uses a flammable refrigerant.  
If refrigerant leaks and comes in contact with fire or heating part, it will create harmful gas and there is risk of fire.



Read the USER MANUAL carefully before operation.



Further information is available in the USER MANUAL, SERVICE MANUAL, and the like.



Service personnel are required to carefully read the USER MANUAL and SERVICE MANUAL before operation.

## C.THE FOLLOWING SHOULD ALWAYS BE OBSERVED FOR SAFETY

Any person working with a refrigerant or cooling circuit must hold a valid certificate issued by an accredited assessment authority competent in the field to authorize the safe handling of refrigerants according to the recognized assessment specifications in the field.

- Take into consideration the protection of the environment when removing the packing of the unit and the unit itself at the end of its useful life.
- The appliance must be stored in a well-ventilated area where the room size is inline with the operating conditions.
- The appliance must be stored in such a way that mechanical damage cannot occur.
  - Information for spaces where refrigerant pipes are allowed:
    - the installation of the pipes must be kept to a minimum;
    - the pipes must be protected from physical damage and, in the case of flammable refrigerants, must be installed in a well-ventilated area;
    - compliance with national gas regulations;
    - mechanical connections must be accessible for maintenance;
    - in the case of units containing flammable refrigerants, the minimum area of the room must be mentioned under the form of a table or of a single figure without reference to a formula;
- Ventilation holes should be kept free.
- Any service intervention will only be performed in accordance with the manufacturer's recommendations;
- The pipes connected to an appliance should not contain a potential source of fire;
- When the portable air conditioner or the dehumidifier is turned on, the fan can operate permanently under normal conditions to ensure a minimum air volume of 80m<sup>3</sup> / h, even when the compressor is closed due to the temperature controller.
- Do not perforate or burn.
- Use only the tools recommended by the manufacturer for defrosting or cleaning
- Do not perforate any of the components of the refrigerant circuit. The cooling gas may be odour less.
- Carefully store the appliance to prevent mechanical damage.
  - Only the persons authorized by an accredited agency certifying their competencies can handle refrigerants in accordance with the local legislation.
- All repairs must be carried out in accordance with the manufacturer's recommendations.
- Maintenance and repairs requiring the assistance of qualified personnel must be carried out under the supervision of specialists in the use of flammable refrigerants.
- Do not perforate any of the components of the refrigerant circuit. The refrigerant may be odourless.

Additional warnings for the unit using the R290 refrigerant (refer to technical data plate for the type of refrigerant used).



**Warning!**

CAREFULLY READ THE MANUAL BEFORE USING THE APPLIANCE. R290 refrigerant complies with the European directives regarding the protection of the environment.

**Turbionaire Smart 8 Eco/ Smart 10 Eco contains approximately 40g of R290 refrigerant.**

**Turbionaire Smart 12 Eco contains approximately 55g of R290 refrigerant.**

**Turbionaire Smart 14 Eco contains approximately 52g of R290 refrigerant.**

**Turbionaire Smart 16M contains approximately 62g of R290 refrigerant.**

The unit must be installed, used and stored in a room larger than 4 m<sup>2</sup>.

FAILURE TO ABIDE BY THIS WARNING COULD RESULT IN EXPLOSION, DEATH, INJURY AND PROPERTY DAMAGE

## 2. SAFETY PRECAUTIONS ON SERVICING



**Your safety is the most important thing we concerned!**

**Please read this manual carefully and fully understand before operating your dehumidifier.**



**Any person who is involved with working on or breaking into a refrigerant circuit should hold a current valid certificate from an industry-accredited assessment authority, which authorizes their competence to handle refrigerants safely in accordance with an industry, recognized assessment specification.**



**Servicing shall only be performed as recommended by the equipment manufacturer. Maintenance and repair requiring the assistance of other skilled personnel shall be carried out under the supervision of the person competent in the use of flammable refrigerants. If you don't understand something or need help, please contact the dealer services**

Please follow these warnings when to undertake the following when servicing a dehumidifier with R290.

### 1. Checking the working area

Before starting the works on systems containing flammable refrigerants, safety checks are required to reduce the risk of fire. To repair the cooling system, the following precautions must be observed before carrying out works on the system.

### 2. The working procedure

The works shall be carried out in accordance with a controlled procedure so as to minimize the risk of leakage of flammable gas or vapours during working procedures.

### 3. The general working area

All maintenance personnel and the others working in adjacent places should be trained on the nature of their work. Working in enclosed spaces should be avoided. The area around the workspace will be delimited. Ensure that safety conditions are met in the working area by controlling the flammable material.

#### **4. Checking the presence of the refrigerant**

The area will be checked with a suitable refrigerant detector before and during working to ensure that the technician is aware of the potentially flammable atmosphere. Ensure that the leakage detection equipment used is suitable in case flammable refrigerants arise, i.e. spark proof, properly protected or sealed.

#### **5. The presence of the fire extinguisher**

In case heating work must be carried out in the refrigeration system or in any associated parts, adequate fire-fighting equipment must be always available for you. Make sure there is a dry powder or a CO2 fire extinguisher adjacent to the working area.

#### **6. No sources of open flame**

No person working within the refrigeration system involving direct exposure to flammable refrigerant will use an open flame source, otherwise it will significantly increase the risk of fire or explosion. All ignition sources, including cigarettes, should be kept sufficiently far from the place of installation, repair, removal and disposal, during which the flammable refrigerant could be released in the surrounding area. Before working on such a plant, the surrounding area must be monitored to ensure that there is no risk of ignition. Also, the message "No smoking" should be displayed.

#### **7. Ventilated area**

Make sure that there is an open or well ventilated area before starting working on the cooling system or performing any heating work. The presence of a fan is compulsory throughout the work. Through ventilation, any released coolant should be safely dispersed and preferably expelled out into the atmosphere.

#### **8. Checking the refrigeration equipment**

If the electrical components are replaced, they must comply with the technical specifications. Strictly observe the instructions for maintenance and service of the manufacturer. If in doubt, consult the manufacturer's technical department for assistance.

The following verifications apply to installations using flammable refrigerants: -the amount of cargo is in line with the size of the room where the components containing the refrigerant are installed;

-the fans and air outlets work properly and are not obstructed;

-if an indirect cooling circuit is used, the secondary circuit must be checked to see if it contains refrigerant; -The marking of the equipment must be visible. The signs and symbols that are illegible will be corrected;

-The pipes or components of the refrigeration plant are placed in a position where they are unlikely to be exposed to any substance that may corrode the components containing refrigerant unless the components are made of corrosion-resistant materials or suitably protected materials against corrosion.

#### **9. Checking electrical devices**

The repair and the maintenance of electrical components must include initial safety checks and component inspection procedures. If there is a failure that could compromise the safety, the circuit must not be connected to any power source until the failure is treated satisfactorily. If the failure cannot be corrected immediately, but operating is still necessary, an appropriate temporary solution should be used. This must be reported to the owner of the equipment so that all parties are informed. The initial safety checks shall be carried out if:

- capacitors are discharged: this is done in a safe manner to avoid the occurrence of sparks;
- electrical components and electrical cables are not exposed during charging, refurbishing or cleaning the plant;
- there is grounding continuity.

#### **10. Repair of sealed items**

While sealed items are being repaired, all power sources must be disconnected from the equipment it must be intervened on, before any removal of the sealed caps, etc. If it is absolutely necessary to power the equipment during service, then a continuous leakage detection system should be considered at the most critical point to warn in case of a potentially hazardous situation.

Particular attention must be paid to the following aspects in order to ensure that while working on the electrical components, the housing is not modified in such a way that the protection level is affected. These include cable damage, excessive number of connections, terminals which do not comply with the original specifications, seals damage, improper seals fitting, etc.

Ensure that the appliance is safely mounted. Ensure that the seals or the sealing materials are not degraded so that they are no longer used for the purpose of preventing the penetration of flammable gases. Spare parts must be in accordance with the specifications of the manufacturer.

#### **11. Repairs brought to intrinsically safe components**

Do not use permanent inductive or capacitive loads in the circuit without ensuring that they do not exceed the voltage and power allowed for the equipment used. The intrinsically safe components are the only types it can be worked on in the presence of a flammable atmosphere. The test appliance must be correctly evaluated. Replace the components only with the parts specified by the manufacturer. Other components may cause the ignition of the refrigerant in the atmosphere due to a leakage.

#### **12. Cables**

Check that the cables will not be subjected to wear, corrosion, excessive pressure, vibrations, sharp edges or other adverse effects on the environment. Verification should also take into account the effects of the deterioration over time or of the continuous vibrations from sources such as compressors or fans.

#### **13. Detection of flammable refrigerants**

Potential sources of ignition should not be used under any circumstances when searching or detecting refrigerant leakage. Do not use a halogen flash light (or any other detector using an open flame).

#### **14. Removal and disposal**

When intervening in the circuit of the refrigerant for repairs - or for any other purpose - conventional procedures will be used. However, in the case of refrigerants, it is important to observe the best practices as there is a high risk of fire. Observe the following procedure:

- Remove the refrigerant;
- Purge the circuit with inert gas;
- Drain;
- Purge again with inert gas;
- Open the circuit by cutting or brazing.

The quantity of refrigerant is recovered in the corresponding recovery cylinders. For the units containing refrigerants, the system must be purged with OFN to protect the unit. This process may be repeated several times. Do not use compressed air or oxygen for this procedure. Washing is performed by forced introduction of OFN (oxygen-free nitrogen) into the system until the working pressure is reached, followed by venting into the atmosphere and finally aspiration. This process is repeated until the refrigerant is evacuated from the system. When the final quantity of OFN is used, the system must be ventilated at atmospheric pressure to allow works to be carried out. This operation is absolutely vital if the brazing operations on the pipes are to be carried out. Ensure that the socket of the vacuum pump is not close to the open flame sources and that there is ventilation available.

### **15.Filling procedures**

In addition to conventional filling procedures, the following requirements must be observed:

- When filling equipment is used ensure that different refrigerants are not contaminated. The hoses should be as short as possible to minimize the quantity of the refrigerant contained therein.
  - The cylinders must be kept upright.
  - Ensure that the cooling system is grounded before filling the system with refrigerant.
  - Label the system after filling it with refrigerant (if it is not already labelled).
  - Do not overload the cooling system. Before refilling the system, it must be tested with OFN. The system must be checked for leakage when the filling procedure is completed but before the unit is placed in service. After the filling procedure, perform a leakage detection test.
- 16.Decommissioning
- Before performing this procedure, it is essential that the technician is completely familiar with the equipment and with all its components. It is recommended that all refrigerants are safely recovered. Before performing this procedure, a sample of oil and refrigerant is taken if an analysis is required before re-using the regenerated refrigerant. It is essential that the power supply is available before the procedure begins
- a. Familiarize yourself with the equipment and with its operation.
  - b. Insulate the system from the electrical point of view.
  - c. Before proceeding, make sure that:
  - d. Mechanical handling equipment is available if it is necessary for the handling of coolant cylinders;
  - e. All individual protection equipment are available and correctly used;
  - f. the recovery process is permanently supervised by a qualified person;
  - g. The recovery equipment and cylinders are in accordance with the appropriate standards.
  - h. If possible, drain the cooling system.
  - i. If aspiration is not possible, use a collector so that the refrigerant can be removed from different parts of the system.
  - j. Ensure that the cylinder is in upright position before recovery.
  - k. Start the recovery machine and use it in accordance with the instructions of the manufacturer.
  - l. Do not fill the cylinders. (Must not exceed 80% of the quantity of liquid).
  - m. Do not exceed the maximum working pressure of the cylinder, even temporarily.



n. When the cylinders have been correctly loaded and the process has been completed, make sure that the cylinders and the equipment are quickly removed from the working area and that all the insulation valves of the equipment are closed.

o. The recovered refrigerant must not be loaded into another cooling system unless it has been cleaned and checked.

17. Labelling The equipment must be labelled with the mention that it has been dismantled and emptied by the refrigerant. The label must be dated and signed. Ensure that there are labels on the equipment showing that the equipment contains flammable refrigerant.

### **18. Recovery**

When performing the procedure of removing the refrigerant from a system, either for service or for decommissioning, it is recommended that all refrigerants are safely removed. When transferring the refrigerant to cylinders, make sure that only the recovery cylinders are used for the refrigerant. Ensure that the correct number of cylinders is available to take up the total quantity of the refrigerant in the system. All cylinders to be used are intended for the recovered refrigerant and labelled for the respective refrigerant (i.e. special cylinders for the recovery of the refrigerant). The cylinders must be equipped with the pressure valve and the associated shut-off valves in good working order. Drained recovery cylinders are evacuated and, if possible, cooled before recovery.

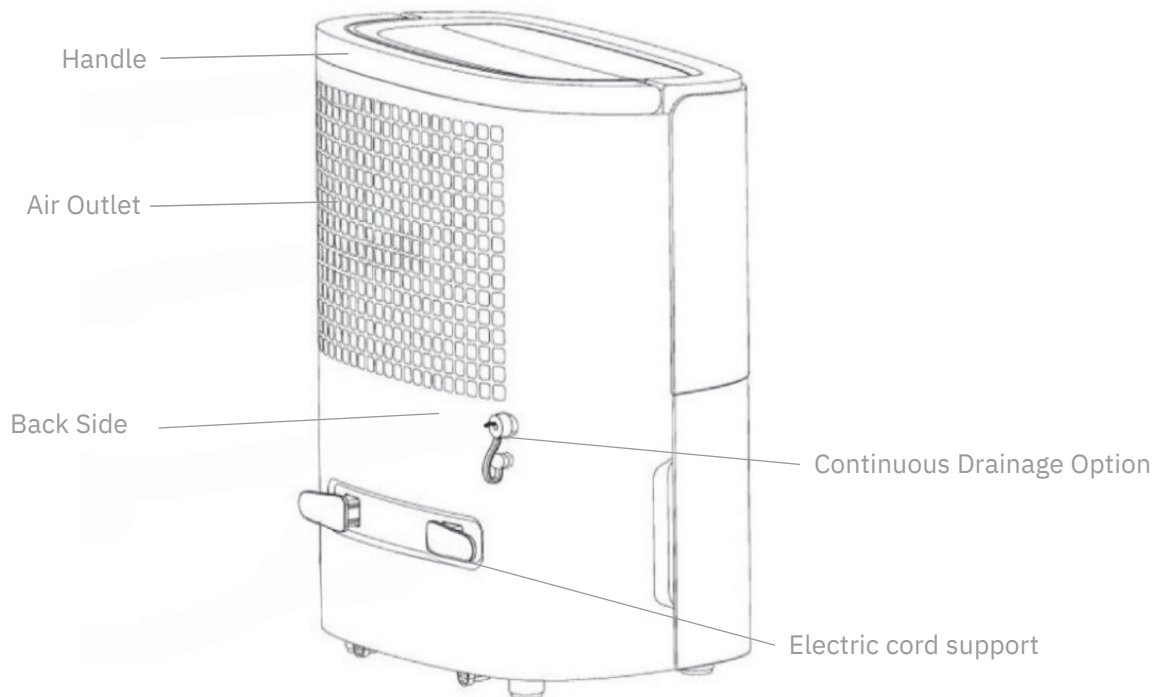
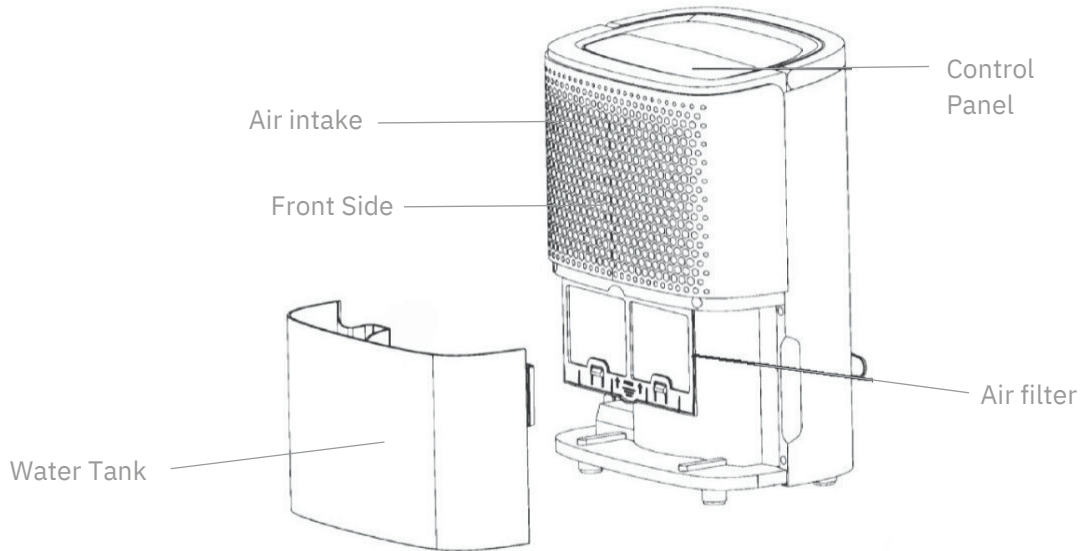
The recovery equipment must be in good working order, provided with a set of available equipment instructions and be suitable for the recovery procedure of flammable refrigerants. In addition, a set of calibrated scales must also be available in good working order. Hoses must be equipped with connection mechanisms without leakage and in good condition. Before using the recovery machine, make sure it is in good working condition, that it was properly maintained and that all associated electrical components are sealed to prevent ignition when a coolant is released. Consult the manufacturer if in doubt. The recovered refrigerant will be accordingly returned to the supplier of the refrigerant in the recovery cylinder and the note referring to the transfer of waste will be prepared. Do not mix coolants in the recovery units and especially not in the cylinders. If the compressors or the oils in the compressors have to be removed, make sure they have been discharged to an acceptable level to ensure that the flammable refrigerant does not remain in the lubricant. The evacuation process must be carried out before returning the compressor to the suppliers. Only use electrical heating of the compressor body to accelerate this process. When the oil is removed from a system, this must be performed in safety conditions.

Initial safety checks shall include:

- Those capacitors are discharged: this shall be done in a safe manner to avoid possibility of sparking;
- That there no live electrical components and wiring are exposed while charging, recovering or purging the system;
- That there is continuity of earth bonding

### 3. PRODUCT OVERVIEW

#### A. FRONT AND REAR VIEW



## B. FEATURES

- Powerful moisture removal
- Humidity Monitor shows current air humidity
- Auto mode automatically adjusts humidity levels
- Effectively removes moisture, dust from the air
- Low power consumption-energy efficient
- Quiet fan has two speed settings
- Auto-Defrost at low temperature
- Auto shut-off/ auto restart
- Electronic control
- Laundry drying function
- Continuous drainage
- 1.8L water tank

## C. TECHNICAL SPECIFICATIONS

<b>MODEL</b>	<b>SMART 8 eco/ 10 eco/ 12 eco</b>	<b>SMART 14 eco/ 16 eco</b>
Dehumidification Capacity	8/ 10/ 12 L/ Day (30°C, 80%)	14/ 16 L/ Day (30°C, 80%)
Power Supply	AC220 - 240V/ 50Hz	AC220 - 240V/ 50Hz
Power Consumption	200W/ 1.1A	250W/ 1.4A
Noise	≤40dB(A)	≤40dB(A)/ ≤43dB(A)
Water Tank Capacity	1.8L	1.8L
Maxi. Refrigerant Charge	R290/ 40g/ 40g/ 55g	R290/ 52g/ 62g
Net weight	10 kg / 10 kg/ 10.5kg	10.5 kg / 11.5kg
Minimum Room Size	4 m <sup>2</sup> (Floor area)	4 m <sup>2</sup> (Floor area)
Dimensions	296x416x217 mm	296x416x217 mm

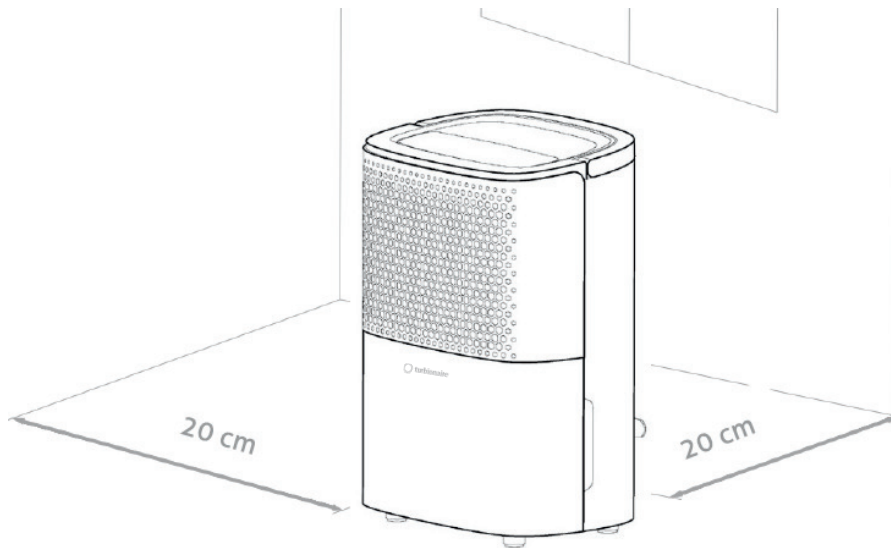
## 4. INSTALLATION

### A. PLACING THE DEHUMIDIFIER

Place the unit on a firm, level surface in an area with at least 30 cm of free space around it to allow for proper air circulation.

#### **Never install the unit where it could be subject to:**

- Heat sources such as radiators, heat registers, stoves or other products that produce heat.
- In an area where oil or water may be splashed
- Direct sunlight
- Mechanical vibration or shock
- Excessive dust
- Lack of ventilation, such as cabinet or bookcase
- Uneven surface



**WARNING**

Install the unit in rooms which exceed 4 m<sup>2</sup>.

Do not install the unit in a place where inflammable gas may leak.



**NOTE**

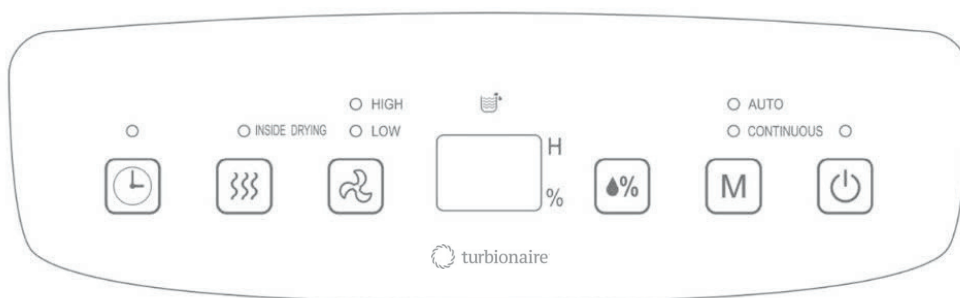
The manufacture may provide other suitable example or may provide additional information about the refrigerant odor.

**B. OPERATING THE DEVICE SAFELY**

- Check the device after unpacking for any damages or scratches on it.
- Operate this unit in an ambient temperature from 5°C to 35°C.
- Do not use in the outdoors. This dehumidifier is intended for indoor residential applications only.
- Do not operate in close proximity to walls, curtains, or other objects that may block inlet and outlet.
- Keep the air inlet and outlet free of obstacles.
- Adjusting the wind deflector in the upward direction prior to start up.
- If tipped more than 45°, allow the unit to set upright for at least 24 hours before start up.
- Keep doors and windows close for better energy saving. Do not operate or store the unit in direct sunlight or rain. It is normal for air outlet to feel warm to touch after continuous operation on hot days.
- Empty the water tank before moving the device.
- Make sure the Water tank is correctly fitted otherwise the unit will not operate properly.
- The dehumidifier starts up in the mode selected when the unit was last used.
- The dehumidifier starts dehumidifying if the room humidity is 3% higher than the selected humidity.
- There is a protective 3-minutes time delay of the compressor. Wait 3 minutes for the dehumidifier to resume dehumidification.

## 5. OPERATION

### A. Control Panel



#### **POWER**

In the standby state, press the power button to turn on, the operation indicator lights up and the default fan speed is low. In the power-on state, press the power button to turn off, the running indicator light goes off and the compressor stops immediately.

#### **MODE**

**Auto mode** - Continuously drying mode, press once to switch the mode from one to another, the corresponding indicator lights up.

- **Auto mode:** In this mode, if the room humidity is higher than 5% humidity, the compressor and fan will start. If the room humidity is lower than the set humidity by 5%, the compressor will shut down and the fan will operate according to the initial setting and to read the humidity in the air. The initial humidity value is 50%.
- **Continuously drying mode** - drying function of textile materials. In this Mode, the unit will work regardless of the humidity in the room. The compressor and fan will work, the fan speed being adjustable. The machine continues to run, but the humidity cannot be adjusted.

#### **TIMER**

Press the timer button to set the 1-24 hour timing function. The interval is 1 hour. Each time you press this button, the value increased 1 hours and then the corresponding timing value is displayed on the screen. The setting value is "0" to cancel the timer function. The indicator turns out. After the timer is set and completed, the timer LED is on during the timing period. After the timing is over, the timer LED turns off automatically.

In the running state, set the time to turn off the machine;

In the standby state, set the time to turn on the machine.

#### **HUMIDITY SET ADJUSTMENT**

Touch the humidity button to check the current environment humidity, touch this button again and you can set the humidity. The range of target humidity is 80%-75%-65% ... 40%-35%-30%. After setting 3 seconds, the system confirms the input value and then the machine exits the setting state, and returns the current humidity. In the drying mode, the target humidity cannot be changed.



### FAN SPEED

In automatic dehumidification mode (AUTO) and drying mode (CONTINUOUS), press this key to change the speed Fan: Low Speed / High Speed. For proper operation of the appliance, the fan operates continuously until it stops.



### INTERNAL DRYING FUNCTION

Press the INSIDE DRYING key to start the internal drying function before turning off the unit. This feature prevents mold formation inside the device due to moisture remaining after it has stopped.



### DISPLAY

in automatic dehumidification mode (AUTO) or in textile drying mode (CONTINUOUS), it will indicate the actual room humidity, the humidity set, and in TIMER mode will indicate the time set in hours.



### WATER TANK FULL ALARM – Drainage Manually

#### • Water Tank Indicator

When the water tank is full (the water level indicator in the reservoir can be visually viewed at any time), until it is drained, the unit will stop running under the action of the float in the tank, a beep will sound 10 times briefly, and the message "FL" and the red LED tank full will be displayed. Remove the water tank from the device and empty it from the water. Reinstall the water drain tank and the dehumidifier will restart.

#### • Clear the alarm

When the buzz is on, press any button to stop it. The compressor and the fan shut down and all the functions freeze until the water tank is emptied and back in right position.

### B. Drainage

There are two ways of removal collected water produced by the unit.

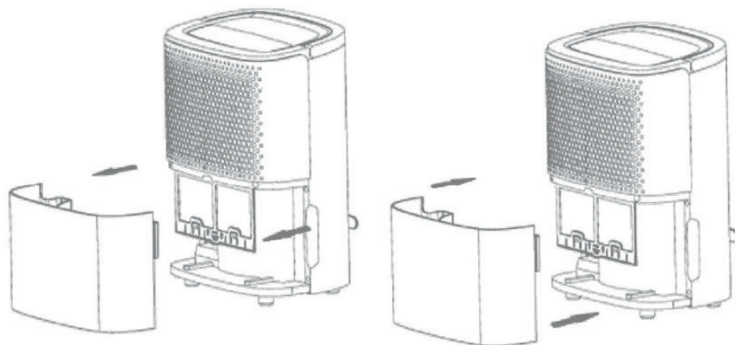
1. Manual draining: the water tank is removed manually.
2. Continuous draining: attach a drain hose to the unit so that the condensed water is drained by using gravity.

### C. Emptying the water tank

The unit will shut down once the water tank is full. It will run again once you have emptied the water tank and reinstalled it properly. When the tank is full, the unit will make a buzzing sound, and the "Water Full" LED will turn in red

- Press the POWER button to turn off the unit.
- Pull on the water tank and slide out of the body of the dehumidifier.
- Empty the water into an area with a drain or outside.
- Clean the inside of the tank, if necessary, as well as the outside.
- Replace the empty tank back into the unit.
- Press the POWER button to restart the unit.

NOTE: If the "Water Full" LED is still on, check if the water tank float is correctly placed and free from any blocking.



## D. Continuous Drainage

For continuous operation or unattended dehumidification, please connect the attached drain hose to the unit. Condensate water drains freely into a bucket or drainage hole by using gravity. Remove the rubber plug attached to the continuous drain connector from the back of the device before connecting the hose.

Remove the water tank and lock with the rubber plug removed, the hole on the front of the device, which normally drains the water in the tank, thus water being directed to be discharged through the rear part to which it connects drain hose. Connect a water drain hose (included in the pack) to the back of the device (inner diameter of the connector: 9 mm), the water can be drained continuously. Check that the hose is properly connected to the drainage hole to avoid accidental water leakage. The drain hose may not be too long (usually 0.6 m), it should not be positioned above the level of the drain hole to ensure drainage of the drained water.

- Place the unit on a horizontal and stable surface.
- Switch off the unit before operating.

Remove the plug of the water drain hole and keep it in a safe place.

Continuous drainage outlet

- Securely and properly connect the drain hose and make sure it is not obstructed.
- Place the outlet end of hose into a drainage hole or bucket and ensure that water can freely drain out of the unit.
- Do not submerge the end of hose into water; otherwise it can cause "Air Lock" in the hose.

### To avoid water spillage:

As the negative pressure of condensate drain pan is large, tilt the drain hose downwards toward the floor. It is appropriate that the degree of inclination should exceed 20 degrees.

Straighten the hose to avoid bending.



## E. ANTI-FROST FUNCTION

This function will be activated when the ambient temperature falls below 16°C. The display will show „P1“. It will be activated for a period of 8 minutes every 38 minutes between 2-12°C. It will also be activated for a period of 5 minutes every 60 minutes between 12-16°C.

## 6. MAINTENANCE

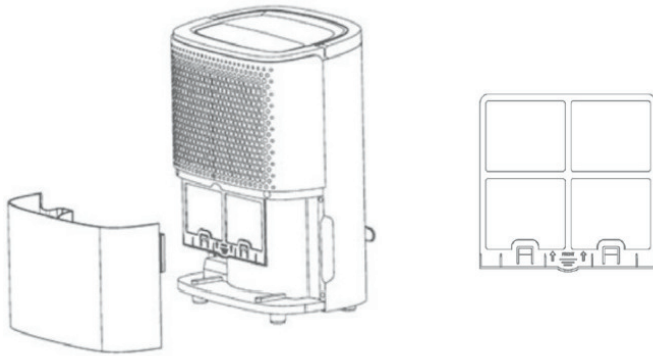
### CLEANING THE AIR FILTER

- Turn off this appliance and pull out plug before maintaining or repairing.
- Pull out plug if dehumidifier is not used for long time
- Please do not use benzene, alcohol, gasoline or other chemical reagent to clean unit.

Clean the filter at least every two weeks or whenever needed. The deposits accumulated on an unclean filter can be absorbed by the fan then remain attached to the evaporator, condenser and other components inside the unit, which can reduce the unit's efficiency and lead to various malfunctions that are not covered by the guarantee.

If any deposits are found inside the unit, contact the nearest authorized service for professional cleaning. Do not perform internal cleaning operations (other than cleaning and washing the washable filter) by yourselves. Always contact qualified technical personnel.

- a) Remove the filter grid and take off the filter.



- b) Use a vacuum cleaner to gently absorb the dust on the surface of the filter. If the filter is very dirty, wash it with water and a soft detergent and dry it thoroughly afterwards. Use wet cloth to clean appliance surface, do not use detergent or grinding sponge to damage surface

- c) Put the filter back to its initial place, which is in the back of the unit.

## 7. TROUBLESHOOTING

### A. FUNCTIONING TEMPERATURE

**5°C ≤ Ambient Temperature ≤ 35°C** When the ambient temperature is lower or higher than the functioning temp, the dehumidifier stops.

**When 5°C ≤ Ambient temp. ≤ 16°C**, the compressor automatically defrosts at intervals; during defrosting, the compressor stops and the fan keeps running.

### B. BEFORE CALLING FOR SERVICE

Before contacting professional service, please review the trouble shooting list that includes common occurrences that are not the result of a defect in workmanship or materials.



<b>Problem</b>	<b>Possible Cause</b>	<b>Solution</b>
Not working	No power supply  Water Full Indication Flashes. Water tank is full or water tank is not assembled well.  Room temperature - operation temperature is too low or too high <5°C or >35°C	Connect to a functioning outlet and switch on.  Drain water tank and replace it back into the unit.  Self-Protection designed to protect the unit. Cannot work under such temperature.
Bad functioning	Is the air filter clogged?  Is the intake duct or discharge duct obstructed?	Clean the air filter as instructed  Remove the obstruction from the discharge duct or intake duct.
No air intake	Is the air filter clogged?  Operation temperature or humidity is too low.  Is air outlet or air inlet blocked	Wash the filter  Under dry environment, dehumidifying effect will be not so obvious.  Clean the air outlet or air inlet.
Loud noise when running	Is the unit placed on a horizontal and flat surface?	Place the unit correctly
	Is the filter clogged?	Wash the filter
Loud noise when running	Drainage pipe is not tightly connected.	Check the drainage pipe.
	Pipe is blocked.	Clean the debris in pipe.

## 8. DECOMMISSIONING

### 8.1 STORAGE

Long-term storage – If you will not be using the unit for an extended period of time (more than a few weeks) it is best to clean the unit and dry it out completely. Please store the unit per the following steps:

- a) Press power button to switch off and unplug the unit.
- b) Drain the remaining water from the unit.
- c) Clean the filter and let the filter dry completely in a shaded area.
- d) Collect the power cord at the water tank.
- e) Reinstall the filter at its position.
- f) The unit must be kept in upright position when in storage.
- g) Preserving the machine in ventilating, dry, non- corrosive gas and safe place indoor.

ATTENTION: The evaporator inside the machine has to be dried out before the unit is packed to avoid component damage and molds. Unplug the unit and place it in a dry open area for days to dry it out. Another way to dry the unit is to set the humidity point more than 5% higher than the ambient humidity to force the fan to dry the evaporator for a couple of hours.

## 8.2 DISPOSAL

### **WARNING!!!**



Releasing refrigerant into atmosphere is strictly forbidden!

Do not dispose of electrical appliances as unsorted municipal waste, use separate collection facilities. Contact your local government for information

regarding the collection systems available. If electrical appliances are disposed of in landfills or dumps, hazardous substances can leak into the groundwater and get into the food chain, damaging your health and well-being.

# RO: CUPRINS

1.	NOȚIUNI PRELIMINARE	21
2.	PRECAUȚII DE SIGURANȚĂ PRIVIND REPARAȚIILE	23
3.	PREZENTAREA PRODUSULUI	28
4.	INSTALARE	30
5.	FUNȚIONARE	32
6.	ÎNTREȚINERE	36
7.	DEPANARE	37
8.	ELIMINARE	38

Vă mulțumim că ați ales dehumidificatorul nostru.

Asigurați-vă că citiți cu atenție acest manual înainte de utilizarea dehumidificatorului.

*Vă rugăm să păstrați cu atenție acest manual pentru referințe viitoare!*

# 1. NOȚIUNI PRELIMINARE

Vă rugăm să citiți cu atenție instrucțiunile de utilizare înainte de a pune în funcțiune dezumidificatorul pentru prima dată.

## A. DESCRIEREA PRODUSULUI

Dezumidificatorul este utilizat pentru a îndepărta excesul de umiditate din aer. Reducerea nivelului umidității protejează clădirile și obiectele aflate înăuntrul acestora de efectele adverse ale umidității.

Impedanța unității nu trebuie să depășească 0,236 ohmi. Nerespectarea acestor cerințe poate duce la impunerea de restricții de către autoritățile de furnizare a energiei electrice. Consultați autoritățile locale de furnizare a energiei electrice dacă impedanța electrică depășește 0,236 ohm.

Produsul R290 este ecologic și folosit ca agent frigorific. R290 nu are nicio influență negativă asupra stratului de ozon (ODP) sau efect de seră (GWP) și este disponibil la nivel mondial. Datorită proprietăților sale energetice eficiente, R290 este foarte potrivit ca lichid de răcire în situația dată. Trebuie, însă, luate în considerare precauții speciale datorită nivelului ridicat de inflamabilitate a agentului frigorific.

## B. SIMBOLURI FOLOSITE PE UNITATE ȘI ÎN MANUAL



### Avertisment!

Acest aparat utilizează agent frigorific. Dacă agentul frigorific se scurge și vine în contact cu o sursă de flacără sau de încălzire, va crea gaze nocive și există riscul de incendiu.



Citiți cu atenție manualul de instrucțiuni înainte de utilizare.



Informații suplimentare sunt disponibile în MANUALUL DE UTILIZARE și MANUALUL DE SERVICE.



Înainte de punerea în funcțiune a aparatului, persoanele care desfășoară operațiile de service trebuie să citească cu atenție MANUALUL DE UTILIZARE și MANUALUL DE SERVICE.

## C. ACORDAȚI TOT TIMPUL ATENȚIE INFORMAȚIILOR DE MAI JOS

- Orice persoană care este implicată în lucrări cu un agent frigorific sau într-un circuit de răcire trebuie să dețină un certificat valabil emis de către o autoritate de

evaluare acreditată în domeniu care au competența de a autoriza tratarea în condiții de siguranță a agenților frigorifici, în conformitate cu specificațiile de evaluare recunoscute în domeniu.

- Luați în considerare protejarea mediului înconjurător atunci când eliminați ambalajul unității și unitatea în sine la sfârșitul său de viață utilă.
- Aparatul trebuie să depozitat într-o zonă bine ventilată, unde dimensiunea camerei este corespunzătoare condițiilor de funcționare.
- Aparatul trebuie să depozitat astfel încât să nu se poată produce deteriorări de natură mecanică.
- Informații pentru spațiile în care sunt permise conductele de agent frigorific:
  - instalarea conductelor trebuie menținută la minimum;
  - conductele trebuie protejate de deteriorarea fizică și, în cazul agenților frigorifici inflamabili, trebuie instalate într-un spațiu bine-ventilat;
  - respectarea reglementărilor naționale privind gazele;
  - conexiunile mecanice trebuie să fie accesibile pentru întreținere;
  - în cazul unităților care conțin agenți frigorifici inflamabili, suprafața minimă a încăperii trebuie menționată sub forma unui tabel sau a unei singure figuri fără referire la o formulă;
- Gurile de ventilare trebuie păstrate libere.
- Orice intervenție privind service-ul va fi efectuată numai conform recomandărilor producătorului;
- Conductele conectate la un aparat nu trebuie să conțină o potențială sursă de foc;
- Atunci când aparatul de aer condiționat portabil sau dezumidificatorul este pornit, ventilatorul poate funcționa permanent în condiții normale pentru a asigura volumul minim de aer de 80 m<sup>3</sup>/h, chiar și atunci când compresorul este închis din cauza regulatorului de temperatură.
- Nu perforați sau nu ardeți.
- Utilizați numai uneltele recomandate de producător pentru decongelare sau curățare
- Nu perforați niciunul din componentele circuitului de agent frigorific. Gazul de răcire poate fi inodor.
- Depozitați cu grijă aparatul pentru a preveni defecțiunile mecanice.
- Numai persoanele autorizate de o agenție acreditată care le certifică competențele pot manipula agenți frigorifici în conformitate cu legislația locală.
- Toate reparațiile trebuie efectuate în conformitate cu recomandările producătorului.
- Întreținerea și reparațiile care necesită asistența unui personal calificat trebuie efectuate sub supravegherea specialiștilor în utilizarea agenților frigorifici inflamabili.
- Nu perforați niciunul din componentele circuitului cu agent frigorific. Agentul frigorific poate fi inodor.

Avertismente suplimentare în cazul unității care utilizează agent frigorific R290 (a se consulta placa cu date tehnice pentru tipul de agent frigorific utilizat).



PERICOL DE INCENDIU!

CITITI MANUAL UL CU ATENȚIE ÎNAINTE DE UTILIZAREA AP ARATULUI. Agentul frigorific R290 respecta directivele europene referitoare la protecția mediului înconjurător.

Turbionaire Smart 8 Eco/ Smart 10 Eco conține aproximativ 40g de agent frigorific R290.

Turbionaire Smart 12 Eco conține aproximativ 55g de agent frigorific R290.

Turbionaire Smart 14 Eco conține aproximativ 52g de agent frigorific R290.

Turbionaire Smart 16M conține aproximativ 62g de agent frigorific R290.

Unitatea trebuie instalată, utilizată și depozitată într-o cameră cu dimensiuni mai mari de 4 m<sup>2</sup>.

NERESPECTAREA INSTRUCȚIUNILOR PRIVIND SIGURANȚA POT CREȘTE RISCUL DE EXPLOZII, MOARTE, RĂNIRE ȘI DAUNE MATERIALE.

## 2. PRECAUȚII DE SIGURANȚĂ PRIVIND REPARAȚIILE

**Siguranța dvs. este cel mai important lucru pentru noi!**



Vă rugăm să citiți acest manual cu atenție înainte de a folosi dezumidificatorul.



Oricare persoane care lucrează cu un circuit de refrigerare trebuie să dețină un certificat valabil emis de către o autoritate de evaluare acreditată în domeniu, care să autorizeze competența lor de a manipula agenții frigorifice în condiții siguranță, în conformitate cu specificațiile recunoscute în industria respectivă.



Reparațiile aduse instalației trebuie efectuate numai conform recomandărilor producătorului. Întreținerea și reparațiile necesită asistența unui personal calificat și se efectuează sub supravegherea unei persoane competente în utilizarea agenților frigorifici inflamabili. Dacă există aspecte pe care nu le înțelegeți sau în cazul în care aveți nevoie de ajutor, vă rugăm să contactați serviciile dealerului autorizat.

Vă rugăm să luați în considerare aceste avertismente înainte de a efectua operații de întreținere la un dezumidificator cu R290.

### 1. Verificarea zonei de lucru

Înainte de a începe lucrările la sistemele care conțin agenți frigorifici inflamabili, sunt necesare verificări de siguranță pentru a reduce riscul apariției incendiilor. Pentru repararea sistemului de răcire, trebuie respectate următoarele măsuri de precauție înainte de efectuarea lucrărilor la sistem.

### 2. Procedura de lucru

Lucrările se efectuează în conformitate cu o procedură controlată, astfel încât să se reducă la minimum riscul scurgerilor de gaz inflamabil sau vapori în timpul procedurilor de lucru.

### **3. Zona de lucru generala**

Tot personalul care se ocupa de intretinere precum si ceilalti care lucreaza in locuri adiacente trebuie instruiti cu privire la natura muncii pe care o desfiia oara. Lucrul in spatii inchise trebuie evitat. Zona din jurul spatiului de lucru va fi delimitata. Asigurati-va ca in zona de lucru sunt respectate conditiile de siguranta prin controlul materialului inflamabil.

### **4. Verificarea prezenței agentului frigorific**

Zona va fi verificată cu un detector de agent frigorific adecvat înainte și în timpul lucrului, pentru a vă asigura că tehnicianul are cunoștință de atmosfera potențial inflamabilă. Asigurați-vă că echipamentul de detectare a scurgerilor folosit este adecvat în cazul apariției agenților frigorifici inflamabili, adică rezistent la scânteii, protejat corespunzător sau etanș.

### **5. Prezența stingătorului de incendiu**

În cazul în care trebuie efectuată o lucrare la cald în cadrul instalației de refrigerare sau la orice piese asociate acestuia, trebuie să aveți întotdeauna la dispoziție un echipament adecvat de stingere a incendiilor. Asigurați-vă de existența unui praf uscat sau un stingător de incendiu cu CO<sub>2</sub>, adiacent zonei de lucru.

### **6. Fără surse de flacără deschisă**

Nicio persoană care efectuează lucrări în cadrul instalației de refrigerare care implică expunerea directă la agent frigorific inflamabil nu va folosi vreo sursă de flacără deschisă, altfel crește semnificativ riscul de incendiu sau explozie. Toate sursele de aprindere, inclusiv țigările, ar trebui să fie ținute suficient de departe de locul de instalare, reparare, îndepărtare și eliminare, procedură în timpul cărora ar putea fi eliberat agentul frigorific inflamabil în spațiul din jur. Înainte de a începe lucrul la o astfel de instalație, zona din jur trebuie supravegheată pentru a vă asigura că nu există riscul de aprindere. Trebuie afișat, de asemenea, mesajul "Fumatul interzis".

### **7. Zona ventilată**

Asigurați-vă că zona este deschisă sau bine ventilată înainte de a începe lucrul la instalația de răcire sau de a efectua orice lucrare la cald. Este necesară prezența unui ventilator pe tot parcursul efectuării lucrărilor. Prin ventilație ar trebui să se disperseze în siguranță orice agent de răcire eliberat și, de preferință, să fie expulzat, în exterior, în atmosferă.

### **8. Verificări la echipamentul de refrigerare**

În cazul în care componentele electrice sunt schimbate, acestea trebuie să corespundă specificațiilor tehnice. Respectați întocmai instrucțiunile producătorului cu privire la întreținere și service. Dacă aveți dubii, consultați departamentul tehnic al producătorului pentru asistență. Următoarele verificări se aplică instalațiilor care utilizează agenți frigorifici inflamabili:

- cantitatea încărcăturii este în conformitate cu dimensiunea camerei în care sunt instalate componentele care conțin agent frigorific;
- ventilatoarele și orificiile de evacuare a aerului funcționează corespunzător și nu sunt obstrucționate;
- dacă se utilizează un circuit indirect de răcire, circuitul secundar trebuie să fie verificat în ceea ce privește prezența agentului frigorific;

- Marcarea echipamentului trebuie să fie vizibilă. Semnele și simbolurile care sunt ilizibile vor fi corectate;
- Țevile sau componentele instalației frigorifice sunt așezate într-o poziție în care este puțin probabil ca acestea să fie expuse la vreo substanță care poate coroda componentele ce conțin agent frigorific, cu excepția cazului în care componentele sunt fabricate din materiale rezistente la corodare sau protejate corespunzător împotriva corodării.

### **9. Verificarea dispozitivelor electrice**

Repararea și întreținerea componentelor electrice trebuie să includă verificări inițiale de siguranță și proceduri de inspecție a componentelor. Dacă există o defecțiune care ar putea compromite siguranța, atunci circuitul nu trebuie conectat la nicio sursă de alimentare până când defecțiunea nu este tratată în mod satisfăcător. Dacă defecțiunea nu poate fi corectată imediat, dar este necesară continuarea funcționării, trebuie utilizată o soluție temporară adecvată. Acest lucru trebuie raportat proprietarului echipamentului, astfel încât toate părțile să fie informate. Verificările inițiale de siguranță se desfășoară în cazul în care:

- condensatoarele sunt descărcate: acest lucru se face într-o manieră sigură pentru a se evita apariția de scântei;
- nu sunt expuse componente electrice și cabluri electrice în timpul încărcării, recondiționării sau curățării instalației;
- există continuitate de legare la împământare.

### **10. Repararea componentelor etanșe**

În timpul reparațiilor componentelor etanșe, toate sursele de energie electrică trebuie să fie deconectate de la echipamentul asupra căruia trebuie să se intervină, înainte de orice îndepărtare a capacelor etanșate etc. Dacă este absolut necesară alimentarea electrică a echipamentului în timpul service-ului, atunci trebuie avut în vedere un sistem continuu de detectare a scurgerilor în punctul cel mai critic pentru a avertiza în cazul unei situații potențial periculoase.

Trebuie să se acorde o atenție deosebită următoarelor aspecte pentru a vă asigura că, în timpul lucrului la componentele electrice, carcasa nu este modificată în așa fel încât nivelul de protecție să fie afectat. Acestea includ deteriorarea cablurilor, numărul excesiv de conexiuni, terminalele care nu sunt conforme cu specificațiile inițiale, deteriorarea sigiliilor, montarea incorectă a garniturilor de etanșare etc.

Asigurați-vă că aparatul este montat în siguranță. Asigurați-vă că sigiliile sau materialele de etanșare nu s-au degradat astfel încât să nu mai servească scopului de a împiedica pătrunderea gazelor inflamabile. Piesele de schimb trebuie să fie în conformitate cu specificațiile producătorului.

### **11. Reparații aduse componentelor cu siguranță intrinsecă**

Nu folosiți sarcini permanente inductive sau capacitive în circuit fără a vă asigura că nu va depăși tensiunea și curentul admis permis pentru echipamentul utilizat.

Componentele cu siguranță intrinsecă sunt singurele tipuri pe care se poate lucra în prezența unei atmosfere inflamabile. Aparatul de testare trebuie să fie evaluat corect.

Înlocuiți componente numai cu piesele specificate de producător. Alte componente pot duce la aprinderea agentului frigorific din atmosferă datorită unei scurgeri.

### **12. Cabluri**



Verificați dacă cablurile nu vor fi supuse uzurii, coroziunii, presiunii excesive, vibrațiilor, muchilor ascuțite sau altor efecte adverse asupra mediului. De asemenea, verificarea trebuie să ia în considerare efectele deteriorării în timp sau ale vibrațiilor continue din surse cum ar fi compresoarele sau ventilatoarele.

### **13. Detectarea agenților frigorifici inflamabili**

În nici un caz nu trebuie utilizate surse potențiale de aprindere în căutarea sau detectarea scurgerilor de agent frigorific. Nu utilizați o lanternă cu halogen (sau orice alt detector care utilizează o flacără deschisă).

### **14. Eliminarea și evacuarea**

La intervenția în circuitul agentului frigorific pentru reparații – sau în orice alt scop – se vor folosi proceduri convenționale. Cu toate acestea, în cazul agenților frigorifici, este important să respectați cele mai bune practici deoarece există riscuri ridicate de incendiu. Respectați următoarea procedură:

- Scoateți agentul frigorific;
- Purjați circuitul cu gaz inert;
- Evacuați;
- Purjați din nou cu gaz inert;
- Deschideți circuitul prin tăiere sau brazare.

Cantitatea de agent frigorific se recuperează în cilindrii de recuperare corespunzători. Pentru unitățile care conțin agenți frigorifici, sistemul trebuie purjat cu OFN pentru a proteja unitatea. Este posibil ca acest proces să fie repetat de mai multe ori. Nu utilizați aer comprimat sau oxigen pentru această procedură. Spălarea se realizează prin introducerea forțată de OFN (azot fara oxigen) în sistem până la atingerea presiunii de lucru, apoi urmează aerisirea în atmosferă și, în final, aspirarea. Acest proces se repetă până când în system nu mai rămâne agent frigorific. Atunci când este utilizată cantitatea finală de OFN, sistemul trebuie să fie ventilat la presiunea atmosferică pentru a permite efectuarea lucrărilor. Această operație este absolut vitală dacă trebuie să se desfășoare operațiunile de brazare pe conducte. Asigurați-vă că priza pentru pompa de vid nu se află aproape de sursele de flacără deschisă și că există ventilație disponibilă.

### **15. Procedurile de umplere**

Pe lângă procedurile convenționale de umplere, trebuie respectate următoarele cerințe:

- Asigurați-vă că nu se produce contaminarea diferiților agenți frigorifici atunci când se utilizează echipamente de umplere. Furtunurile trebuie să fie cât mai scurte posibil pentru a minimiza cantitatea de agent frigorific conținut de acestea.
- Cilindrii trebuie ținuti în poziție verticală.
- Asigurați-vă că sistemul de răcire este legat la împământare înainte de umplerea sistemului cu agent frigorific.
- Etichetați sistemul după umplerea cu agent frigorific (în cazul în care nu este deja etichetat).
- Nu supraîncărcați sistemul de răcire.

Înainte de reumplerea sistemului, acesta trebuie testat cu OFN. Sistemul trebuie să fie verificat dacă există scurgeri la finalizarea procedurii de umplere, dar înainte de punerea în funcțiune a unității. După procedura de umplere, efectuați un test de detectare a scurgerilor.

## 16. Dezafectarea

Înainte de a efectua această procedură, este esențial ca tehnicianul să fie complet familiarizat cu echipamentul și cu toate componentele acestuia. Se recomandă ca toți agenții frigorifici să fie recuperați în siguranță. Înainte de efectuarea acestei proceduri, se ia o probă de ulei și agent frigorific, în cazul în care este necesară o analiză înainte de reutilizarea agentului refrigerent regenerat. Este esențial ca alimentarea cu energia electrică să fie disponibilă înainte de începerea procedurii.

- a. Familiarizați-vă cu echipamentul și cu funcționarea acestuia.
- b. Izolați sistemul din punct de vedere electric.
- c. Înainte de desfășurarea procedurii, asigurați-vă că:
- d. Este disponibil un echipament de manipulare mecanică, dacă este necesar pentru manipularea cilindrilor cu agent de răcire;
- e. Toate echipamentele de protecție individuală sunt disponibile și utilizate corect;
- f. procesul de recuperare este supravegheat în permanență de o persoană calificată;
- g. Echipamentele de recuperare și cilindrii sunt în conformitate cu standardele corespunzătoare.
- h. Dacă este posibil, goliți sistemul de răcire.
- i. Dacă aspirarea nu este posibilă, folosiți un colector astfel încât agentul frigorific să poată fi îndepărtat din diferite părți ale sistemului.
- j. Asigurați-vă că cilindrul este situat pe verticală înainte de recuperare.
- k. Porniți mașina de recuperare și utilizați-o în conformitate cu instrucțiunile producătorului.
- l. Nu umpleți cilindrii. (Nu mai mult de 80% din cantitatea de lichid).
- m. Nu depășiți presiunea maximă de lucru a cilindrilor, chiar și temporar.
- n. Când cilindrii au fost încărcăți corect și procesul a fost finalizat, asigurați-vă că aceștia și echipamentul sunt îndepărtați rapid din zona de lucru și că toate supapele de izolare ale echipamentului sunt închise.
- o. Agentul frigorific recuperat nu trebuie încărcat într-un alt sistem de răcire decât dacă a fost curățat și verificat.

## 17. Etichetarea

Echipamentul trebuie să fie etichetat cu mențiunea că a fost demontat și golit de agentul frigorific. Eticheta trebuie să fie datată și semnată. Asigurați-vă că pe echipament există etichete care să ateste că echipamentul conține agent frigorific inflamabil.

## 18. Recuperarea

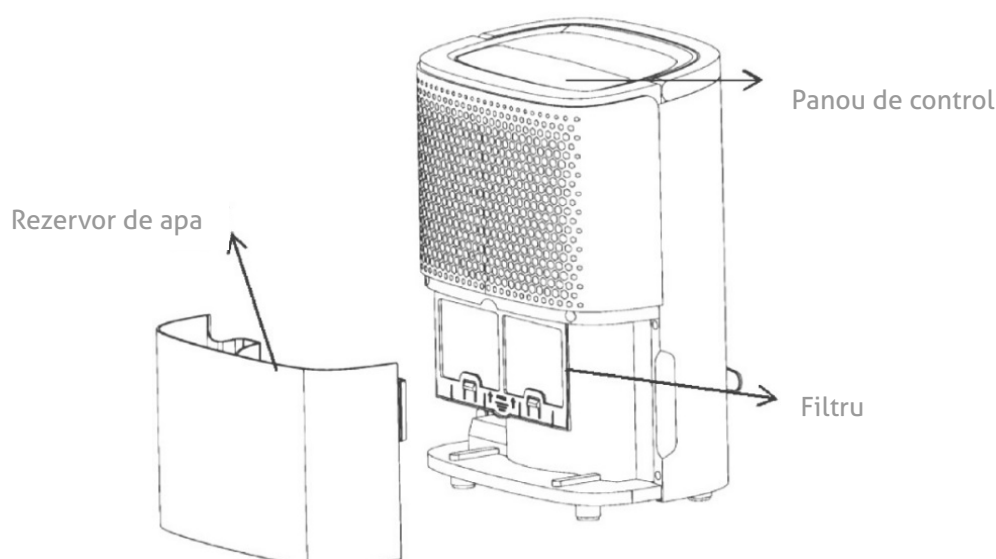
Când desfășurați procedura de scoatere a agentului frigorific dintr-un sistem, fie pentru service, fie pentru dezafectare, se recomandă ca toți agenții frigorifici să fie îndepărtați în siguranță. Când transferați agentul frigorific în cilindri, asigurați-vă că sunt folosiți numai cilindri de recuperare pentru agentul frigorific. Asigurați-vă că este disponibil numărul corect de cilindri pentru preluarea cantității totale de refrigerant din sistem. Toți cilindrii care urmează să fie utilizați sunt destinați agentului frigorific recuperat și etichetați pentru agentul frigorific respectiv (adică cilindrii speciali pentru recuperarea agentului frigorific). Cilindrii trebuie să fie dotați cu supapa de presiune și supapele de închidere asociate, în

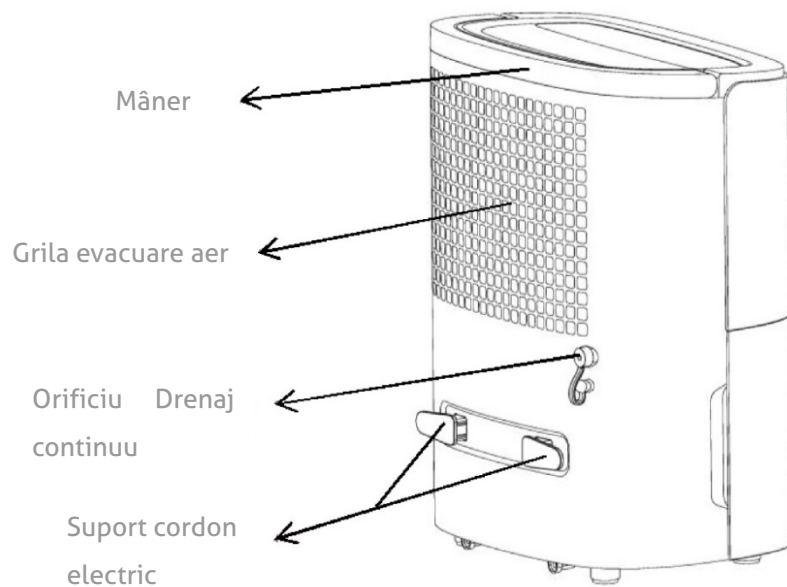
stare bună de funcționare. Cilindrii de recuperare goliți sunt evacuați și, dacă este posibil, răciți înainte de recuperare.

Echipamentul de recuperare trebuie să fie în stare bună de funcționare, prevăzut cu un set de instrucțiuni privind echipamentul disponibil și să fie adecvat pentru procedura de recuperare a agenților frigorifici inflamabili. În plus, un set de cântare calibrate trebuie să fie disponibile și în stare bună de funcționare. Furtunurile trebuie să fie echipate cu mecanisme de conectare fără scurgeri și în stare bună. Înainte de a utiliza mașina de recuperare, verificați dacă aceasta este în stare bună de funcționare, a fost întreținută corespunzător și dacă toate componentele electrice asociate sunt etanșeizate pentru a preveni aprinderea în cazul eliberării unui agent de răcire. Consultați producătorul dacă aveți dubii. Agentul frigorific recuperat va fi returnat corespunzător furnizorului de agent frigorific în cilindrul de recuperare și se va pregăti Nota privind Transferul Deșeurilor. Nu se amestecă agenții de răcire din unitățile de recuperare și în special nu în cilindri. Dacă trebuie îndepărtate compresoarele sau uleiurile din compresoare, asigurați-vă că au fost evacuate la un nivel acceptabil pentru a vă asigura că agentul frigorific inflamabil nu rămâne în lubrifianț. Procesul de evacuare trebuie efectuat înainte de returnarea compresorului către furnizori. Folosiți numai încălzirea electrică a corpului compresorului pentru a accelera acest proces. Atunci când uleiul este scos dintr-un sistem, acesta trebuie să fie efectuat în condiții de siguranță.

### 3. PREZENTAREA PRODUSULUI

#### A. VEDERE FAȚĂ ȘI SPATE





## B. CARACTERISTICI

- Îndepărtarea eficientă a umidității
- Monitorizează și afișează umiditatea curentă din aer
- Modul Automat ajustează automat nivelul umidității
- Timer cu interval de 24 de ore pentru a seta timpul de funcționare
- Îndepărtează eficient umiditatea și praful din aer
- Consum redus de energie, eficient din punct de vedere energetic
- Ventilatorul este silențios, având două trepte de viteză
- Decongelare automată în cazul funcționării la temperatură joasă
- Oprire automată / repornire automată
- Control electronic
- Funcție de uscare a rufelor
- Mod drenaj continuu
- Rezervor de apă de 1.8L

## C. SPECIFICAȚII TEHNICE

MODEL	SMART 8 eco	SMART 10 eco	SMART 12 eco
Capacitate de dezumidificare	8L/zi (30°C, 80%)	10L/zi (30°C, 80%)	12L/zi (30°C, 80%)
Alimentare	AC220-240V/50Hz	AC220-240V/50Hz	AC220-240V/50Hz
Putere consumată	200W/1.1A	200W/1.1A	200W/1.1A
Nivel de zgomot	≤40dB(A)	≤40dB(A)	≤40dB(A)
Capacitate rezervor de apă	1.8L	1.8L	1.8L
Capacitate max.agent frigorific	R290/40g	R290/40g	R290/55g
Greutate netă	10kg	10kg	10.5kg
Dimensiunea minimă a camerei	4 m <sup>2</sup>	4 m <sup>2</sup>	4 m <sup>2</sup>
Dmensiuni	296x416x217 mm	296x416x217 mm	296x416x217 mm
MODEL	SMART 14 eco	SMART 16M	
Capacitate de dezumidificare	14L/zi (30°C, 80%)	16L/zi (30°C, 80%)	
Alimentare	AC220-240V/50Hz	AC220-240V/50Hz	
Putere consumată	250W/1.4A	250W/1.4A	
Nivel de zgomot	≤40dB(A)	≤43dB(A)	
Capacitate rezervor de apă	1.8L	1.8L	
Capacitate max.agent frigorific	R290/52g	R290/62g	
Greutate netă	10.5 kg	11.5 kg	
Dimensiunea minimă a camerei	4 m <sup>2</sup>	4 m <sup>2</sup>	
Dmensiuni	296x416x217 mm	296x416x217 mm	

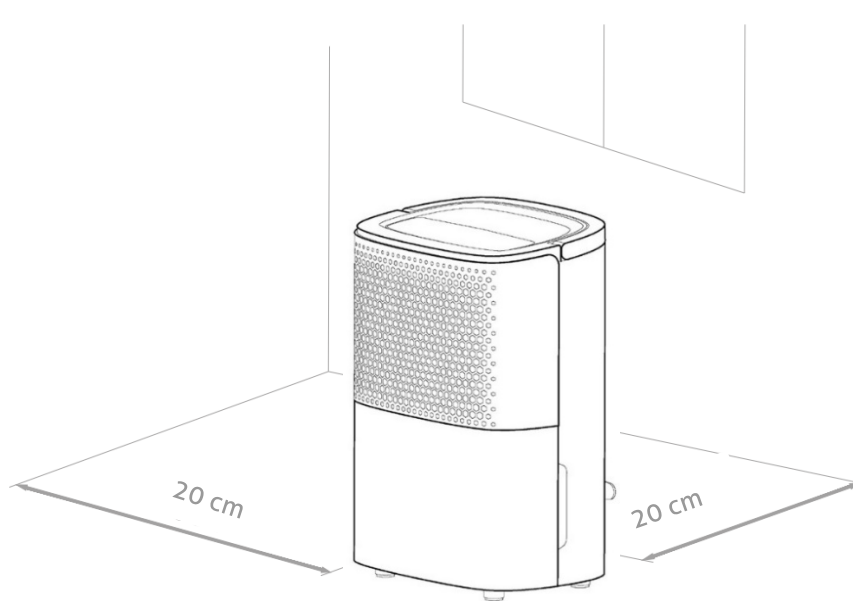
## 4. INSTALARE

### A. AMPLASAREA DEZUMIDIFICATORULUI

Așezați unitatea pe o suprafață stabilă, plată și păstrați cel puțin 20 cm de spațiu liber în jurul acesteia, pentru a permite circulația adecvată a aerului.

**Nu instalați niciodată unitatea:**

- Lângă surse de căldură precum calorifere, radiatoare, sobe sau alte dispozitive care produc căldură.
- Într-o zonă în care se poate stropi ulei sau apă
- In lumina directă a soarelui
- Într-o zonă cu vibrații sau șocuri mecanice
- Într-o zonă cu praf excesiv
- Într-o zonă neventilată, cum ar fi dulapul sau biblioteca
- Pe o suprafață neuniformă



#### ATENȚIE

Instalați unitatea în camere care depășesc 4 m<sup>2</sup>.  
Nu instalați unitatea într-un loc în care se poate scurge gaz inflamabil.



#### NOTĂ

Producătorul poate oferi un alt exemplu adecvat sau poate furniza informații suplimentare despre mirosul agentului frigorific.

### B. UTILIZAREA ÎN SIGURANȚĂ A APARATULUI

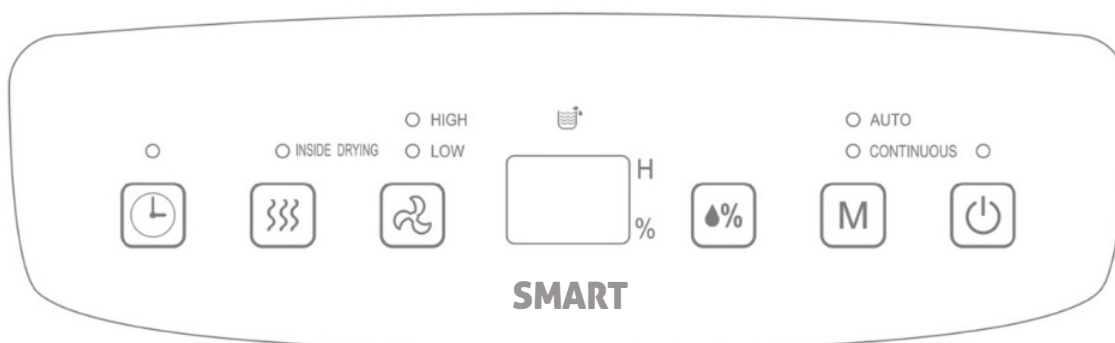
- După ce ați despachetat, verificați dacă există daune sau zgârieturi pe unitate.
- Utilizați această unitate la o temperatură ambientală între 5°C și 35°C.
- Nu folosiți dezumidificatorul în aer liber. Acest dezumidificator este destinat numai pentru utilizarea în spații rezidențiale.
- Nu utilizați dezumidificatorul în apropierea pereților, perdelelor sau a altor obiecte care pot bloca admisia și evacuarea aerului.
- Păstrați orificiile de admisie și evacuare a aerului libere de obstacole.
- Dacă a fost este înclinată la un unghi mai mare de 45°, lăsați unitatea să stea în poziție verticală cel puțin 24 de ore înainte de pornire.
- Păstrați ușile și ferestrele închise pentru o mai bună eficiență a dezumidificatorului.
- Nu folosiți și nu depozitați unitatea la lumina directă a soarelui sau în ploaie.
- Este normal ca orificiul de evacuare a aerului să se încălzească după funcționarea continuă în zilele călduroase.
- Goliți rezervorul de apă înainte de a muta dezumidificatorul.
- Asigurați-vă că rezervorul de apă este montat corect, altfel unitatea nu funcționează corespunzător.
- Dezumidificatorul pornește în modul selectat la ultima utilizare.
- Dezumidificatorul începe să dezumidifice aerul din cameră dacă umiditatea este cu 3%

mai mare decât valoarea selectată.

- Compresorul este dotat cu un sistem de protecție care întârzie pornirea cu 3 minute. Astfel, va trebui să așteptați 3 minute pentru ca dezumidificatorul să reia procesul de dezumidificare.

## 5. FUNCȚIONARE

### A. Panou de control



#### BUTON PORNIRE

În modul standby apăsați acest buton pentru a porni unitatea, indicatorul corespunzător se va aprinde, ventilatorul funcționează la o viteză implicită, iar nivelul umidității setate este de 50%. În acest mod de funcționare, apăsați același buton pentru a opri unitatea, indicatorul corespunzător se va stinge, compresorul se oprește imediat.



#### MODURI DE FUNCȚIONARE (M)

**Mod automat / Mod de funcționare dezumidificare continuă**, apăsați o dată pentru a schimba de la un mod la altul, iar indicatorul corespunzător se va aprinde.

- **Mod automat:** În acest mod, dacă umiditatea camerei este mai mare decât umiditatea setată cu 5%, compresorul și ventilatorul vor porni. Dacă umiditatea camerei este mai mică decât umiditatea setată, cu 5%, compresorul se va opri, iar ventilatorul va funcționa conform setării inițiale și pentru a citi permanent umiditatea din aer. Dacă setați umiditatea  $< 5\% <$  umiditatea camerei  $<$  setarea umidității 5%, unitatea va continua să funcționeze conform setărilor originale. Valoarea inițială a umidității este de 50%.
- **Mod de funcționare dezumidificare continuă - funcție de uscare a materialelor textile:** În acest mod, unitatea va funcționa indiferent de umiditatea din cameră. Compresorul și ventilatorul vor funcționa, viteza ventilatorului fiind reglabilă.



### TIMER

Apăsați butonul timer pentru a seta această funcție de la 1 la 24 ore. Intervalul de setare este de 1 oră. De fiecare dată când apăsați acest buton, valoarea crește cu o oră și este afișată pe ecran. Pentru a anula funcția timer, alegeți valoarea "0". Indicatorul corespunzător funcției timer se va aprinde. După ce setați funcția timer, LED-ul corespunzător va rămâne aprins pe toată durata setată. După epuizarea timpului setat, LED-ul corespunzător se stinge automat.

În modul de funcționare, setați funcția timer pentru a opri unitatea;

În modul standby, setați funcția timer pentru a porni unitatea.



### SETAREA UMIDITĂȚII

Apăsați butonul corespunzător pentru a verifica nivelul de umiditate din cameră, apoi apăsați din nou acest buton și pentru a seta nivelul de umiditate dorit. Intervalul de setare a umidității dorite (pas cu pas) este descrescător 80%-75%-65% ... 40%-35%-30%.. După setarea nivelului dorit, sistemul confirmă valoarea de intrare, apoi unitatea iese din modul de setare și revine la nivelul de umiditate curent. În modul de dezumidificare, nivelul umidității nu poate fi modificat.



### VITEZA VENTILATORULUI

În modul de dezumidificare automată (AUTO) și în modul de uscare a materialelor textile (CONTINUOUS), apăsați această tastă pentru a schimba viteza ventilatorului: Viteză Mică / Viteză Mare. Pentru funcționarea corectă a aparatului, ventilatorul funcționează continuu până la oprirea acestuia.



### FUNCȚIA DE USCARE INTERNĂ

Apăsați tasta INSIDE DRYING pentru a porni funcția de uscare internă înainte de a opri unitatea. Această funcție previne formarea mușgaiului în interiorul dispozitivului, din cauza umezelii rămase după oprirea acestuia.



### DISPLAY (ECRAN LCD)

În modul de dezumidificare automată (AUTO) sau în modul de uscare a materialelor textile (CONTINUOUS), va indica umiditatea efectivă a încăperii, umiditatea setată, iar în modul TIMER va indica timpul setat în ore.



### ALARMĂ REZERVOR DE APĂ PLIN – Drenaj manual

- **Indicator rezervor de apă**

Când rezervorul de apă este plin (indicatorul de nivel al apei din rezervor putând fi consultat vizual în orice moment), până la golirea acestuia de apă, unitatea se va opri din funcționare sub acțiunea flotorului din rezervor, se va auzi de 10 ori un beep scurt, iar pe display va fi afișat mesajul "FL" și indicatorul LED roșu de rezervor plin.

Scoateți rezervorul de apă din dispozitiv și goliți-l de apă. Instalați la loc rezervorul golit de apă, iar dezumidificatorul va reporni



- **Oprirea alarmei**

Când alarma este pornită, apăsați orice buton pentru a o opri. Compresorul și ventilatorul se opresc, la fel și celelalte funcții active, până la golirea rezervorului de apă și reînălarea acestuia în poziția corectă.

### B. Drenare

Există două moduri de îndepărtare a apei colectate produsă de unitate.

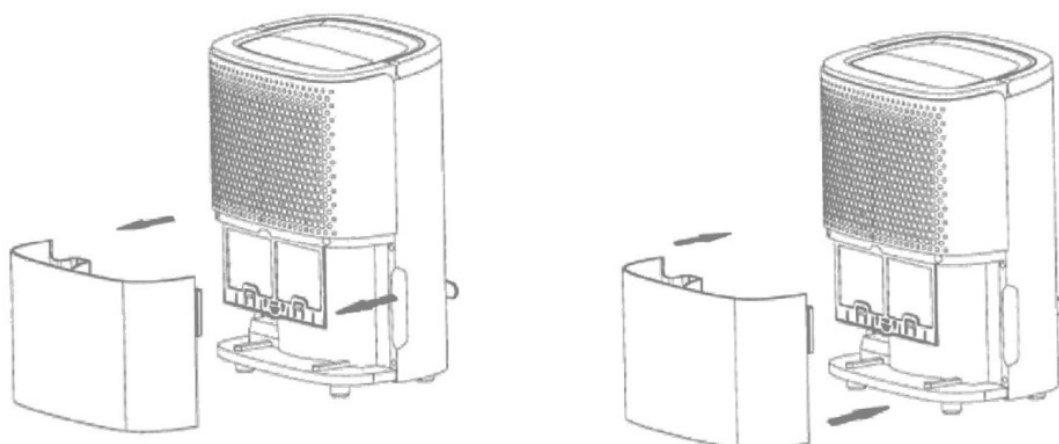
- **Drenare manuală:** Rezervorul de apă, scos și golit manual.
- **Drenarea continuă:** Atașarea la dispozitiv a unui furtun de scurgere gravitațională a apei rezultată din condensare.

### C. Golirea rezervorului

Dispozitivul se va opri imediat ce rezervorul se va umple cu apă. Dezumidificatorul va reporni doar după ce goliți rezervorul de apă și îl reînălări corect. Când rezervorul este plin, dispozitivul va emite un sunet acustic, iar indicatorul LED „Water Full” (Rezervor Plin) se va aprinde în roșu.

- Apăsați butonul POWER pentru a opri unitatea.
- Trageți de rezervorul de apă și acesta va ieși din corpul dezumidificatorului.
- Goliți apa din rezervor.
- Curățați interiorul rezervorului, dacă este nevoie, precum și exteriorul.
- Introduceți rezervorul gol înapoi în unitate.
- Apăsați butonul POWER pentru a relua funcționarea dispozitivului.

NOTA: Dacă indicatorul corespunzător rezervorului plin rămâne încă aprins, verificați dacă plutitorul rezervorului se află în poziția corectă și nu este blocat în altă poziție.



#### D. Drenare continuă

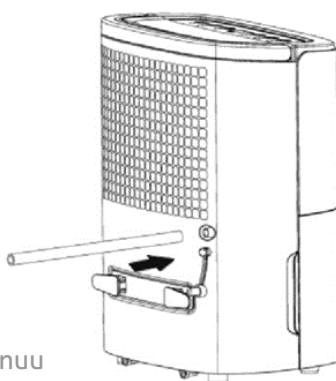
Pentru funcționarea continuă sau dezumidificare nesupravegheată, vă rugăm să conectați furtunul de scurgere, la unitate. Apa condensată se va scurge liber, gravitațional, într-o găleată sau într-o gură de scurgere. Scoateți dopul de cauciuc atasat conectorului de drenaj continuu din spatele dispozitivului înainte de conectarea furtunului.

Scoateți rezervorul de apă și blocați cu ajutorul dopului de cauciuc scos, orificiul din partea frontală a dispozitivului prin care, în mod normal, apa se drenează în rezervor, în acest fel apa fiind direcționată spre a fi evacuată prin partea din spate în care se conectează furtunul de evacuare.

Conectați un furtun de evacuare apă (inclus în pachet) în spatele dispozitivului (diametrul interior al conectorului: 9 mm), apa putând fi drenată continuu. Verificați dacă furtunul este conectat corespunzător la gura de drenaj, pentru a evita scurgerea accidentală a apei.

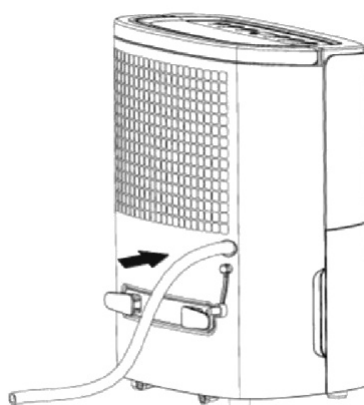
- Așezați unitatea pe o suprafață orizontală și stabilă.
- Opriți unitatea înainte de a drena apa.

Scoateți dopul orificiului de drenare a apei și păstrați-l într-un loc sigur.



Orificiu Drenaj continuu

- Conectați corect furtunul de scurgere și asigurați-vă că nu este obstrucționat.
- Introduceți capătul de evacuare al furtunului într-o gură de scurgere sau găleată și asigurați-vă că apa poate curge liber din unitate.
- Nu scufundați capătul furtunului în apă, astfel poate provoca „blocarea aerului” în furtun.



### Pentru a evita scurgerile de apă:

- Deoarece presiunea negativă a vasului de scurgere a condensului este mare,
- înclinați furtunul de drenare, în jos, spre podea. Este necesar ca unghiul de înclinare să depășească 20°.
- Îndreptați furtunul pentru a evita indoirea acestuia.

### E. Funcția anti-îngheț

Pentru o funcționare normală a dispozitivului, această funcție va fi activată atunci când temperatura ambiantă scade sub 16 ° C. Afișajul va afișa "P1". Acesta va fi activat pentru o perioadă de 8 minute la fiecare 38 de minute între 2-12 ° C. De asemenea, va fi activat pentru o perioadă de 5 minute la fiecare 60 de minute între 12-16 ° C.

## 6. ÎNTREȚINERE

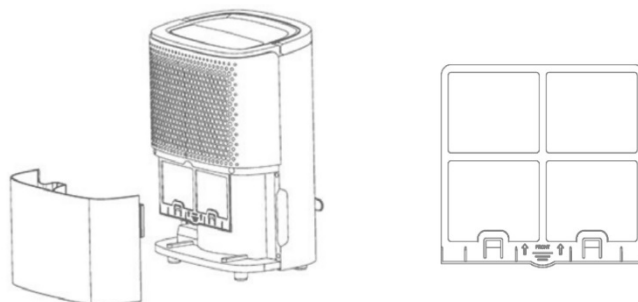
### CURĂȚAREA FILTRULUI DE AER

- Opriți unitatea și scoateți ștecherul din priză înainte de a efectua operațiunile de întreținere sau reparații.
- Scoateți ștecherul din priză dacă dezumidificatorul nu este utilizat pentru un timp îndelungat.
- Nu utilizați benzen, alcool, benzină sau altă substanță chimică pentru a curăța unitatea.
- Curățați rezervorul de apă cu o cârpă moale

Curățați filtrul cel puțin o dată la două săptămâni sau ori de câte ori este nevoie. Impuritățile acumulate într-un filtru necurățat pot fi absorbite de ventilator fixându-se pe vaporizatorul, condensatorul și alte componente din interiorul unității, ceea ce duce la scăderea randamentului și apariția diverselor defecțiuni care nu fac, în acest caz, obiectul garanției.

Dacă se constată depuneri de impurități în interiorul unității, contactați cel mai apropiat service autorizat în vederea curățării profesionale a acesteia. Nu efectuați operațiuni de curățare internă (altele decât curățarea și spălarea filtrului lavabil) decât cu personal specializat.

- a) Scoateți grila filtrului și îndepărtați filtrul.



b) Folosiți un aspirator pentru a îndepărta ușor praful de pe suprafața filtrului. Dacă filtrul este foarte murdar, spălați-l cu apă și cu detergent și uscați-l bine după aceea. Utilizați o cârpă umedă pentru a curăța suprafața unității, nu utilizați detergent sau burete aspru pentru a nu deteriora suprafața.

c) Reașezați filtrul la locul său în spatele dispozitivului.

## 7. DEPANARE

### A. TEMPERATURA DE FUNCȚIONARE

**5°C ≤ Temp. ambientală ≤ 35°C**

Când temperatura ambientală este mai mică sau mai mare decât temperatura de funcționare, dezumidificatorul se oprește.

**Când 5°C ≤ Temp. Ambientă ≤ 16°C**, compresorul se decongelează automat la anumite intervale; în timpul decongelării, compresorul se oprește și ventilatorul continuă să funcționeze.

### B. ÎNAINTE DE A SOLICITA SERVICE

Înainte de a contacta centrul de service, consultați lista de posibile probleme care pot apărea în timpul funcționării unității și care nu sunt rezultatul unui defect de manopere sau materiale folosite.

Problemă	Cauze posibile	Soluție
Aparatul nu funcționează	Nu există alimentare.	Conectați aparatul la o priză de curent și porniți-l.
	Indicatorul "Water Full" (Rezervor Plin) este aprins roșu.  Rezervorul de apă este plin sau rezervorul de apă nu este instalat corespunzător.	Goliți rezervorul de apă și reașezați-l la locul potrivit.
	Temperatura de funcționare este prea mică sau prea mare. <5°C sau >35°C	Sistem de protecție instalat pentru a proteja unitatea. Unitatea nu poate funcționa la o astfel de temperatură.  Utilizați acest dezumidificator în acest interval de temperatură 5-32 °C.

Funcționare defectuoasă	Filtrul de aer este blocat?	Curățați filtrul de aer după cum este explicat în prezentul manual.
	Este blocat orificiul de admisie sau de evacuare?	Îndepărtați orice lucru obstrucționează orificiul de admisie sau evacuare.
Orificiul de admisie a aerului nu permite trecerea aerului	Filtrul este blocat?	Spălați filtrul.  În mediu uscat, efectul de dezumidificare nu va fi atât de evident
	Temperatura de funcționare sau umiditatea sunt prea mici.  Este blocat orificiul de evacuare sau admisie a aerului?	Curățați orificiul de evacuare sau admisie a aerului.
Unitatea scoate zgomote în timpul funcționării	Unitatea este poziționată pe o suprafață orizontală și plată?	Așezați unitatea corespunzător.
	Filtrul este blocat?	Spălați filtrul.
Scurgere de apa	Furtunul de drenaj nu este bine conectat. Furtunul este înfundat.	Verificați furtunul de drenaj.  Curățați reziduurile din furtun.
Evaporatorul îngheață	Temperatura de funcționare este joasă, unitatea se află în modul dezghețare (Defrost).	Unitatea este prevăzută cu funcția de auto-dezghețare, nu este defect. După dezghețare, unitatea va funcționa.

## 8. ELIMINARE

### A. DEPOZITAREA UNITĂȚII

**Depozitare pe termen lung** - Dacă nu veți folosi unitatea pentru o perioadă lungă de timp (mai mult de câteva săptămâni), vă recomandăm să o curățați și să o uscați complet.

Vă rugăm să depozitați unitatea urmând acești pași:

- Apăsați butonul de alimentare pentru a opri unitatea și deconectați-o de la priza de alimentare cu curent.
- Scurgeți apa rămasă în unitate.
- Curățați filtrul și lăsați-l să se usuce complet într-o zonă ferită de lumină.
- Înfășurați cablul de alimentare.
- Reinstalați filtrul în poziția corectă.

f) Unitatea trebuie păstrată în poziție verticală atunci când este depozitată.

g) Păstrați dezumidificatorul într-o cameră ventilată, uscată, fără combustibili.

**ATENȚIE:** Evaporatorul din interiorul dezumidificatorului trebuie uscat înainte de ambalarea acestuia pentru a evita deteriorarea componentelor și apariția mușcăiului. Deconectați unitatea și așezați-o într-un spațiu deschis uscat timp de zile pentru a se usca bine. Un alt mod de a usca unitatea este de a seta nivelul umidității la 5% peste umiditatea ambientală, pentru a forța ventilatorul să usuce evaporatorul timp de câteva ore.

## B. ELIMINARE



**AVERTIZARE!!!** Eliberarea agentului frigorific în atmosferă este strict interzisă!

Nu aruncați aparatele electrice ca deșeuri municipale nesortate, ci folosiți spațiile de colectare separate. Contactați administrația locală pentru informații despre sistemele de colectare disponibile în zonă. Dacă aparatele electrice sunt

aruncate împreună cu gunoiul menajer, substanțele periculoase se pot infiltra în apele subterane și pot ajunge în lanțul alimentar, dăunând sănătății și bunăstării persoanelor.

# DE: INHALT

1.	VORBEMERKUNGEN	41
2.	SICHERHEITSHINWEISE FÜR DIE INSTANDHALTUNG	43
3.	PRODUKTVORSTELLUNG	49
4.	EINRICHTUNG	50
5.	BETRIEB	52
6.	INSTANDHALTUNG	57
7.	FEHLERBEHEBUNG	57
8.	ENTSORGUNG	58

Vielen Dank, dass Sie sich für unseren Luftentfeuchter entschieden haben.  
Lesen Sie dieses Handbuch sorgfältig durch, bevor Sie den Luftentfeuchter  
*Bitte bewahren Sie dieses Handbuch zum späteren Nachschlagen sorgfältig auf!*

# 1. VORBEMERKUNGEN

**Bitte lesen Sie die Bedienungsanleitung sorgfältig durch, bevor Sie den Luftentfeuchter zum ersten Mal in Betrieb nehmen.**

## A. PRODUKTBESCHREIBUNG

Mit dem Luftentfeuchter wird der Luft überschüssige Feuchtigkeit entzogen. Durch Verringern der Luftfeuchtigkeit werden Gebäude und sich darin befindliche Gegenstände vor den nachteiligen Auswirkungen der Luftfeuchtigkeit geschützt.

**WARNUNGEN:** Die Impedanz des Geräts darf 0,236 Ohm nicht überschreiten. Die Nichteinhaltung dieser Anforderungen kann zu Einschränkungen durch die Elektrizitätsversorgungsbehörden führen. Wenden Sie sich an Ihre örtliche Stromversorgung, wenn die elektrische Impedanz 0,236 Ohm überschreitet.

Das Produkt R290 ist umweltfreundlich und wird als Kältemittel eingesetzt. R290 hat keinen negativen Einfluss auf die Ozonschicht (ODP) oder den Treibhauseffekt (GWP) und ist weltweit erhältlich. Aufgrund seiner energieeffizienten Eigenschaften eignet sich R290 in dieser Situation sehr gut als Kühlmittel. Aufgrund der hohen Entflammbarkeit des Kältemittels sind jedoch besondere Vorkehrungen zu treffen.

## B. SYMBOLE, DIE AM GERÄT UND IM HANDBUCH VERWENDET WERDEN



**Warnung!**

Dieses Gerät verwendet Kältemittel.

Wenn das Kältemittel austritt und mit einer Flamme oder einer Wärmequelle in Berührung kommt, entstehen schädliche Gase und es besteht Brandgefahr.



Lesen Sie die Bedienungsanleitung vor Gebrauch sorgfältig durch.



Weitere Informationen finden Sie in der **BEDIENUNGSANLEITUNG** und der **WARTUNGSANLEITUNG**.



Vor der Inbetriebnahme des Geräts sollten die Personen, die die Wartungsarbeiten durchführen, die **BEDIENUNGSANLEITUNG** und die **WARTUNGSANLEITUNG** sorgfältig lesen.



### C. ACHTEN SIE STETS AUF DIE FOLGENDEN INFORMATIONEN

- Jede Person, die an Arbeiten mit einem Kältemittel, oder an einem Kühlkreislauf beteiligt ist, muss über ein gültiges Zertifikat verfügen, das von einer akkreditierten Prüfstelle ausgestellt wurde, die befugt ist, den sicheren Umgang mit Kältemitteln gemäß den anerkannten Bewertungsspezifikationen vor Ort zu genehmigen
- Berücksichtigen Sie den Umweltschutz, wenn Sie die Verpackung des Geräts und das Gerät selbst am Ende seiner Nutzungsdauer entsorgen
- Das Gerät muss in einem gut belüfteten Bereich gelagert werden, in dem die Raumabmessungen den Betriebsbedingungen entsprechen.
- Das Gerät muss so gelagert werden, dass keine mechanischen Schäden auftreten können.
- Informationen zu den Räumen, in denen Kältemittelleitungen zulässig sind:
  - die Montage von Rohrleitungen muss auf ein Minimum beschränkt werden
  - die Rohrleitungen müssen vor Beschädigungen geschützt und bei brennbaren Kältemitteln an einem gut belüfteten Ort installiert werden
  - Einhaltung der nationalen Gasvorschriften
  - die mechanische Verbindungen müssen für die Wartung zugänglich sein
  - bei Einheiten, die entflammbare Kältemittel enthalten, muss die Mindestfläche des Raums tabellarisch oder als ein einziges Bild angegeben werden, ohne Bezug auf eine Formel angegeben wird
- Die Lüftungsöffnungen müssen freigehalten werden.
- Serviceeinsätze werden nur gemäß den Empfehlungen des Herstellers ausgeführt.
- An ein Gerät angeschlossene Rohre dürfen keine potenziellen Feuerquelle enthalten.
- Wenn die tragbare Klimaanlage oder der Luftentfeuchter eingeschaltet ist, kann der Lüfter dauerhaft unter normalen Bedingungen betrieben werden, um eine Mindestluftmenge von 80 m<sup>3</sup>/h sicherzustellen, selbst wenn der Kompressor aufgrund des Temperaturreglers geschlossen ist.
- Nicht perforieren oder verbrennen.
- Zum Auftauen oder Reinigen verwenden Sie nur vom Hersteller

empfohlene Werkzeuge.

- Keine der Komponenten des Kältemittelkreislaufs durchstechen. Kältegas kann geruchlos sein.
- Bewahren Sie das Gerät sorgfältig auf, um mechanische Schäden zu vermeiden.
- Kältemittel dürfen nur von Personen gehandhabt werden, die von einer akkreditierten Stelle autorisiert sind und ihre Kompetenzen gemäß den örtlichen Gesetzen bescheinigen.
- Alle Reparaturen müssen gemäß den Empfehlungen des Herstellers ausgeführt werden.
- Wartungs- und Reparaturarbeiten, die die Unterstützung von qualifiziertem Personal erfordern, müssen unter der Aufsicht von Spezialisten für die Verwendung brennbarer Kältemittel durchgeführt werden.
- Keine der Komponenten des Kältemittelkreislaufs durchstechen. Das Kältemittel kann geruchlos sein.

Zusätzliche Warnhinweise für das Kältemittel R290 (die Art des verwendeten Kältemittels entnehmen Sie dem Namensschild)



**BRANDGEFAHR!**

**LESEN SIE DIE ANLEITUNG SORGFÄLTIG, BEVOR SIE DAS GERÄT BENUTZEN**

Das Kältemittel R290 erfüllt die europäischen Richtlinien zum Umweltschutz.

Turbionaire Smart 8 eco / Smart 10 eco enthält ungefähr 40g R290-Kältemittel.

Turbionaire Smart 12 eco enthält ungefähr 55g R290-Kältemittel.

Turbionaire Smart 14 eco enthält ungefähr 52g R290-Kältemittel.

Turbionaire Smart 16M enthält ungefähr 62g R290-Kältemittel.

Das Gerät muss in einem Raum von mehr als 4 m<sup>2</sup> installiert, verwendet und gelagert werden.

**DIE NICHT-EINHALTUNG DER SICHERHEITSANLEITUNGEN KANN DIE GEFAHR VON EXPLOSIONEN, TOD KÖRPERVERLETZUNG UND SACHSCHÄDEN ERHÖHEN.**

## **2. SICHERHEITSHINWEISE FÜR DIE INSTANDHALTUNG**



Bitte lesen Sie dieses Handbuch sorgfältig durch,

bevor Sie den Luftentfeuchter verwenden.



Jeder, der an einem Kältekreislauf arbeitet, muss über ein gültiges Zertifikat verfügen, das von einer akkreditierten Bewertungsbehörde ausgestellt wurde und dessen Befugnis zum sicheren Umgang mit Kältemitteln gemäß den in dieser Branche anerkannten Spezifikationen bestätigt ist.



Reparaturen an der Installation dürfen nur gemäß den Empfehlungen des Herstellers durchgeführt werden. Wartung und Reparaturen erfordern die Unterstützung von qualifiziertem Personal und werden unter Aufsicht einer Person durchgeführt, die für die Verwendung brennbarer Kältemittel zuständig ist.

Treten Probleme auf, die Sie nicht verstehen oder wenn Sie Hilfe benötigen, wenden Sie sich bitte an den autorisierten Händler.

### **Anweisungen für Reparaturen an Geräten, die R290 enthalten**

#### **1. Prüfung des Arbeitsplatzes**

Vor Arbeiten an Systemen, die brennbare Kältemittel enthalten, sind Sicherheitsüberprüfungen erforderlich, um die Brandgefahr zu verringern. Zur Reparatur des Kühlsystems müssen vor den Arbeiten am System die folgenden Vorsichtsmaßnahmen beachtet werden.

#### **2. Arbeitsablauf**

Die Arbeiten müssen nach einem kontrollierten Verfahren durchgeführt werden, um das Risiko des Austretens von brennbaren Gasen oder Dämpfen während der Arbeit zu minimieren.

#### **3. Allgemeiner Arbeitsbereich**

Alle Wartungspersonal und andere Personen, die in angrenzenden Bereichen arbeiten, sollten über die Art ihrer Arbeit geschult werden. Arbeiten in geschlossenen Räumen sollten vermieden werden. Der Bereich um den Arbeitsplatz wird abgegrenzt. Stellen Sie sicher, dass die Sicherheitsbedingungen im Arbeitsbereich durch die Überwachung des brennbaren Materials erfüllt sind.

#### **4. Vorhandensein des Kältemittels prüfen**

Der Bereich wird vor und während der Arbeit mit einem geeigneten Kältemitteldetektor überprüft, um sicherzustellen, dass der Techniker über der potenziell explosionsfähige Atmosphäre informiert ist. Stellen Sie sicher, dass der Leckanzeiger für brennbare Kältemittel geeignet ist, dh funkenfest, ordnungsgemäß geschützt oder wasserdicht ist.

#### **5. Die Anwesenheit des Feuerlöschers**

Wenn Warmarbeiten in der Kälteanlage oder einer damit verbundenen Komponente ausgeführt werden sollen, müssen Sie immer über geeignete Feuerlöscheinrichtungen verfügen. Stellen Sie sicher, dass sich trockener Pulver oder ein CO<sub>2</sub>-Feuerlöscher in der Nähe des Arbeitsbereichs befindet.

#### **6. Keine offenen Flammenquellen**

Keine Person, die Arbeiten an der Kühlanlage durchführt, die direkten Kontakt mit dem brennbaren Kältemittel beinhalten, wird eine offene Flammenquelle verwenden, da sonst die Brand- oder Explosionsgefahr erheblich steigt. Alle Zündquellen - einschließlich

Zigaretten - sollten ausreichend weit von der Installations-, Reparatur-, Entfernungs- und Entsorgungsstelle, ein Verfahren, während dessen das brennbare Kältemittel in der Umgebung freigesetzt werden könnte. Vor Beginn der Arbeiten an einer solchen Anlage muss die Umgebung überwacht werden, um sicherzustellen, dass keine Entzündungsgefahr besteht. Außerdem sollte die Meldung "Nicht rauchen" angezeigt werden.

### **7. Belüfteter Bereich**

Stellen Sie sicher, dass der Bereich offen oder gut belüftet ist, bevor Sie Arbeiten am Kühlsystem beginnen oder Warmarbeiten ausführen. Während der gesamten Arbeit ist ein Lüfter erforderlich. Durch Belüftung sollte freigesetztes Kühlmittel sicher zerstreut und vorzugsweise in die Atmosphäre ausgestoßen werden.

### **8. Überprüfung der Kühlanlage**

Nach dem Wechsel der elektrischen Bestandteile, müssen sie den technischen Spezifikationen entsprechen. Beachten Sie genau die Wartungs- und Serviceanweisungen des Herstellers. Im Zweifelsfall, wenden Sie sich an die technische Abteilung des Herstellers.

Bei Anlagen die brennbare Kältemitteln verwenden, werden die folgenden Prüfungen durchgeführt:

- die Beladungsmenge entspricht der Größe des Raums, in dem die Bestandteile die das Kältemittel enthalten, installiert sind;
- die Lüfter und Luftaustrittsöffnungen funktionieren einwandfrei und sind nicht blockiert;
- wenn ein indirekter Kühlkreislauf verwendet wird, muss der Sekundärkreislauf auf das Vorhandensein des Kältemittels überprüft werden;
- Die Kennzeichnung der Ausrüstung muss sichtbar sein. Unleserliche Zeichen und Symbole werden korrigiert;
- Die Rohre oder Bestandteile der Kälteanlage sind in einer Position angeordnet, in der es unwahrscheinlich ist, dass sie einem Stoff ausgesetzt sind, der die das Kältemittel enthaltenden Bestandteile angreift, es sei denn, die Bestandteile aus korrosionsbeständigen Materialien bestehen, oder gegen Korrosion ausreichend geschützt sind.

### **9. Überprüfung der elektrischen Geräte**

Die Reparatur und Wartung elektrischer Komponenten muss erste Sicherheitsüberprüfungen und Prüfverfahren der Bestandteile. Wenn ein Fehler vorliegt, der die Sicherheit beeinträchtigen könnte, darf die Schaltung nicht an eine Stromquelle angeschlossen werden, bis der Fehler zufriedenstellend behoben ist. Wenn der Fehler nicht sofort behoben werden kann, aber es notwendig ist, den Betrieb fortzusetzen, sollte eine geeignete temporäre Lösung verwendet werden. Dies muss dem Besitzer des Geräts gemeldet werden, damit alle Parteien informiert sind. Erste Sicherheitsüberprüfungen werden durchgeführt:

- wenn die Kondensatoren entladen sind; dies geschieht auf sichere Weise, um das Auftreten von Funken zu vermeiden;
- wenn, während des Ladens, der Überholung oder der Reinigung der Anlage die elektrische Bestandteile und elektrische Kabel nicht freigelegt sind;

- wenn eine Kontinuität der Erdung besteht

#### **10. Reparatur luftdichter Bauteile**

Während der Reparatur der dichten Bauteile, müssen alle elektrischen Quellen vom zu reparierenden Gerät, vor dem Entfernen von Verschlusskappen usw getrennt werden. Wenn die Stromversorgung des Geräts während der Servicearbeit unbedingt erforderlich ist, dann sollte ein System zur ständigen Dichtheitsprüfung am kritischsten Punkt in Betracht gezogen werden, um im Falle einer möglicherweise gefährlichen.

#### **11. Reparaturen an eigensicheren Komponenten**

Verwenden Sie keine permanenten induktiven oder kapazitiven Lasten im Stromkreis, ohne sicherzustellen, dass sie die zulässige Spannung und den zulässigen Strom für die verwendete Ausrüstung nicht überschreiten. Die eigensicheren Komponenten sind die einzigen Typen, die in entflammbarer Atmosphäre verarbeitet werden können. Das Testgerät muss korrekt bewertet werden. Ersetzen Sie die Bauteile nur durch die vom Hersteller angegebenen Teile. Andere Bauteile können dazu führen, dass das Kältemittel in der Atmosphäre aufgrund von Leckagen austritt.

#### **12. Kabeln**

Stellen Sie sicher, dass die Kabel keinem Verschleiß, Korrosion, übermäßigem Druck, Vibrationen, scharfen Kanten oder anderen schädlichen Umwelteinflüssen ausgesetzt sind. Bei der Überprüfung sollten auch die Auswirkungen von Alterung oder kontinuierlichen Vibrationen von Quellen wie Kompressoren oder Ventilatoren berücksichtigt werden.

#### **13. Nachweis der entflammaren Kältemittel**

Unter keinen Umständen sollten bei der Suche nach oder dem Nachweis von Kältemittellecks potenzielle Zündquellen verwendet werden. Verwenden Sie keine Halogen-Taschenlampe (oder einen anderen Detektor, der eine offene Flamme verwendet).

#### **14. Entnahme und Entsorgung**

Bei einem Reparaturingriff des Kältemittelkreislaufs - oder für jeden anderen Zweck

- werden herkömmliche Verfahren verwendet. Bei Kältemitteln ist es jedoch wichtig, optimale Vorgehensweise zu befolgen, da ein hohes Brandrisiko besteht. Beachten Sie das folgende Verfahren:

- Kältemittel entfernen
- Kreislauf mit Inertgas spülen
- Entleeren
- nochmals mit Inertgas spülen
- Stromkreis durch Schneiden oder Hartlöten öffnen

Die Kühlmittelmenge wird in den entsprechenden Rückgewinnungszylindern zurückgewonnen. Bei Geräten, die Kältemittel enthalten, muss das System zum Schutz des Geräts mit OFN gespült werden. Dieser Vorgang kann mehrmals wiederholt werden. Für dieses Verfahren keine Druckluft oder Sauerstoff verwenden. Das Waschen wird durch Zwangseinführung des OFN (sauerstofffreien Stickstoff) in das System bis der Arbeitsdruck erreicht ist, durchgeführt, gefolgt von Entlüftung in die Atmosphäre und Aufsaugung. Dieser Vorgang wird wiederholt, bis kein Kältemittel im System verbleibt. Bei Verwendung der endgültigen Menge OFN muss das System auf Atmosphärendruck entlüftet werden, damit die Arbeiten ausführen zu lassen. Dieser Vorgang ist absolut notwendig, wenn an den

Rohren Lötarbeiten ausgeführt werden sollen. Stellen Sie sicher, dass sich die Vakuumpumpensteckdose nicht in der Nähe der offenen Flammenquellen befindet und dass Belüftung vorhanden ist.

### **15. Abfüllverfahren**

Zusätzlich zu herkömmlichen Abfüllverfahren müssen die folgenden Anforderungen erfüllt werden:

- Stellen Sie sicher, dass bei der Verwendung von Füllgeräten keine Kontamination mit anderen Kältemitteln auftritt. Die Schläuche sollen so kurz wie möglich sein, um die darin enthaltene Menge des Kühlmittels zu minimieren
- Die Zylinder müssen aufrecht stehen
- Stellen Sie sicher, dass das Kühlsystem geerdet ist, bevor Sie das Kühlsystem befüllen
- Kennzeichnen Sie das System nach dem Einfüllen von Kältemittel (falls es noch nicht gekennzeichnet ist).
- Kühlsystem nicht überfüllen

Vor dem Nachfüllen des Systems muss es mit OFN getestet werden. Ob am Ende des Füllvorgangs undichte Stellen vorhanden sind, muss das System überprüft werden, aber bevor das Gerät in Betrieb genommen wird. Nach dem Füllvorgang, einen Lecktest durchführen.

### **16. Stilllegung**

Bevor Sie dieses Verfahren durchführen, ist es wichtig, dass der Techniker mit dem Gerät und allen seinen Komponenten vertraut ist. Es wird empfohlen, alle Kältemittel sicher rückzugewinnen. Vor diesem Verfahren wird eine Öl- und Kältemittelprobe genommen, wenn eine Analyse erforderlich ist, bevor das regenerierte Kältemittel wiederverwendet wird. Es ist wichtig, dass die Stromversorgung verfügbar ist, bevor das Verfahren beginnt.

- a. Mit dem Gerät und seiner Bedienung vertraut machen.
- b. Das System elektrisch isolieren.
- c. Bevor Sie mit dem Verfahren beginnen, stellen Sie sicher, dass:
- d. ein mechanisches Handhabungsgerät für den Umgang mit den Kühlmittelzylindern verfügbar ist;
- e. alle individuellen Schutzausrüstungen verfügbar und korrekt verwendet sind;
- f. der Rückgewinnungsprozess permanent von einer qualifizierten Person überwacht ist;
- g. die Rückgewinnungsausrüstung und Zylinder in Übereinstimmung mit den entsprechenden Normen sind
- h. Wenn möglich, das Kühlsystem entleeren
- i. Wenn kein Ansaugen möglich ist, einen Sammler verwenden, damit das Kältemittel aus verschiedenen Teilen des Systems entfernt werden kann
- j. Vor der Rückgewinnung sicherstellen, dass der Zylinder senkrecht steht.
- k. Das Rückgewinnungsgerät starten und gemäß den Anweisungen des Herstellers verwenden.
- l. Die Zylinder nicht ausfüllen (nicht mehr als 80% der Flüssigkeitsmenge).
- m. Den maximalen Arbeitsdruck des Zylinders nicht überschreiten, auch nicht vorübergehend.

- n. Nachdem die Zylinder korrekt geladen wurden und der Vorgang abgeschlossen ist, sicherstellen, dass sie und die Ausrüstung schnell aus dem Arbeitsbereich entfernt werden und dass alle Absperrventile der Ausrüstung geschlossen sind.
- o. Das rückgewonnene Kältemittel darf nicht in ein anderes Kühlsystem gefüllt werden, es sei denn, es wurde gereinigt und geprüft

### **17. Etikettierung**

Das Gerät muss mit dem Hinweis beschriftet sein, dass es demontiert und das Kältemittel entleert wurde. Das Etikett muss datiert und unterschrieben sein. Sicherstellen, dass sich auf dem Gerät Etiketten befinden, die darauf hinweisen, dass das Produkt brennbares Kältemittel enthält.

### **18. Rückgewinnung**

Zur Entfernung des Kältemittels aus einem System, entweder zur Wartung oder zur Außerbetriebnahme, wird empfohlen, dass alle Kältemittel sicher entfernt werden. Beim Übertragen des Kältemittels in die Zylinder sicherstellen, dass nur Kältemittel-Rückgewinnungszylinder verwendet werden. Sicherstellen, dass die richtige Anzahl an Zylinder verfügbar ist, um die gesamte im System vorhandene Kältemittelmenge aufzunehmen. Alle zu verwendenden Zylinder sind für das zurückgewonnene Kältemittel bestimmt und für das jeweilige Kältemittel gekennzeichnet (dh spezielle Zylinder zur Kältemittelrückgewinnung). Die Zylinder müssen mit dem Druckventil und den zugehörigen Absperrventilen in einwandfreiem Zustand ausgestattet sein. Entleerte Rückgewinnungszylinder werden evakuiert und wenn möglich vor der Rückgewinnung gekühlt.

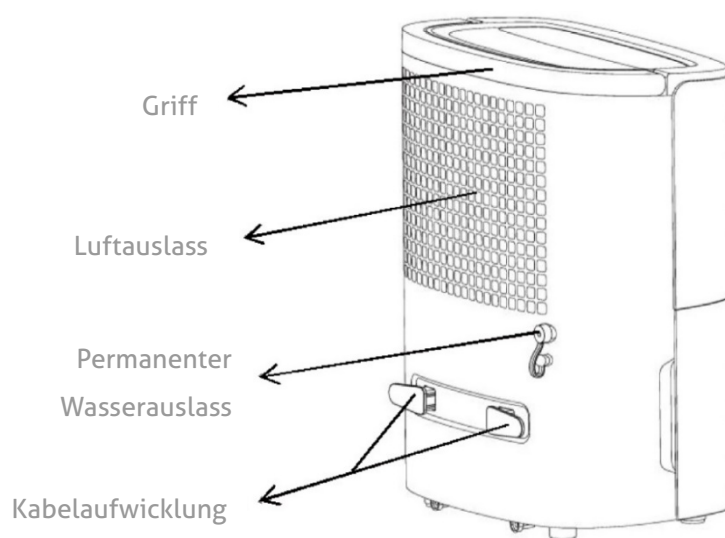
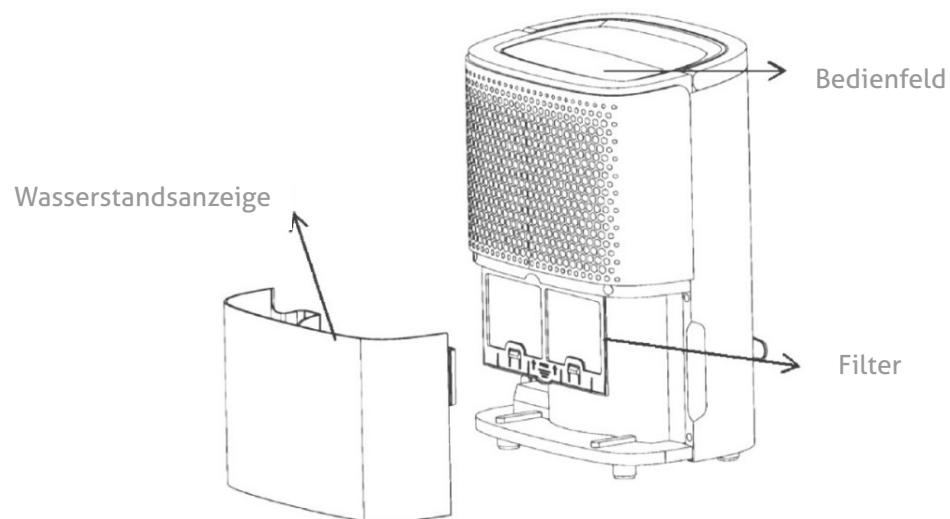
Die Rückgewinnungsausrüstung muss in einwandfreiem Zustand sein, mit einem Satz Anweisungen zur verfügbaren Ausrüstung versehen werden und für die Rückgewinnung von brennbaren Kältemitteln geeignet sein. Außerdem muss ein Satz kalibrierter Waagen in einwandfreiem Zustand verfügbar sein. Schläuche müssen mit leckfreien und passgenauen Anschlüssen ausgestattet sein. Vor der Verwendung der Rückgewinnungsausrüstung sicherstellen, dass diese in einwandfreiem Zustand ist, ordnungsgemäß gewartet wurde und alle zugehörigen elektrischen Komponenten versiegelt sind, um eine Entzündung zu verhindern, wenn Kühlmittel freigesetzt wird. Im Zweifelsfall an den Hersteller wenden. Das zurückgewonnene Kältemittel wird dem Kältemittelhändler im Rückgewinnungszylinder entsprechend zurückgegeben und die Abfall-Entsorgungsnachweis wird erstellt. Kühlmittel aus Rückgewinnungseinheiten dürfen nicht gemischt werden, insbesondere nicht in den Zylinder. Wenn Kompressoren oder Kompressorenöle entfernt werden müssen, vergewissern Sie sich, dass diese in einem akzeptablen Grad entfernt wurden, um sicherzustellen, dass das brennbare Kältemittel nicht im Schmiermittel verbleibt. Der Entleerungsvorgang muss, bevor der Kompressor an die Lieferanten zurückgegeben wird, ausgeführt werden. Verwenden Sie nur die elektrische Heizung des Verdichtergehäuses, um diesen Vorgang zu beschleunigen. Wenn das Öl aus einem System entfernt wird, muss dieser Vorgang sicher durchgeführt werden.

### Erste Sicherheitsüberprüfungen werden durchgeführt, wenn:

- Kondensatoren entladen werden: Dies muss unter Sicherheitsbedingungen geschehen, um das Auftreten von Funken zu vermeiden.
- Die elektrischen Bauteile und Kabel stehen auch während des Ladens, Wiederherstellens oder Löschens des Systems nicht unter Spannung.
- es besteht eine Kontinuität der Erdung.

## 3. PRODUKTVORSTELLUNG

### A. SICHT VORNE UND HINTEN





## B. EIGENSCHAFTEN

- Effektive Feuchtigkeitsentfernung
- Überwachung und Anzeige der aktuellen Luftfeuchtigkeit
- Der automatische Modus passt die Luftfeuchtigkeit automatisch an
- Zeitschaltuhr mit 24 Stunden Intervall um die Betriebszeit einzustellen
- beseitigt wirksam die Feuchtigkeit und den Staub aus der Luft
- Geringer Energieverbrauch, energieeffizient
- Der Lüfter ist leise mit zwei Gängen
- Automatisches Herunterfahren / automatischer Neustart
- Elektronische Steuerung
- Wäschetrocknungsfunktion
- Kontinuierlicher Entfeuchtungsmodus

## C. TECHNISCHE SPEZIFIKATIONEN

MODELL	SMART 8 eco	SMART 10 eco	SMART 12 eco
Entfeuchtungskapazität	8L/tag (30°C, 80%)	10L/tag (30°C, 80%)	12L/tag (30°C, 80%)
Zulauf	AC220-240V/50Hz	AC220-240V/50Hz	AC220-240V/50Hz
Verbrauch	200W/1.1A	200W/1.1A	200W/1.1A
Schallpegel	≤40dB(A)	≤40dB(A)	≤40dB(A)
Wassertank Kapazität	1.8L	1.8L	1.8L
Max. Kältemittelkapazität	R290/40g	R290/40g	R290/55g
Nettogewicht	10kg	10kg	10.5kg
Minimale Raumgröße	4 m <sup>2</sup>	4 m <sup>2</sup>	4 m <sup>2</sup>
Abmessungen	296x416x217 mm	296x416x217 mm	296x416x217 mm
MODEL	SMART 14 eco	SMART 16M	
Entfeuchtungskapazität	14L/tag (30°C, 80%)	16L/tag (30°C, 80%)	
Zulauf	AC220-240V/50Hz	AC220-240V/50Hz	
Verbrauch	250W/1.4A	250W/ 1.4A	
Schallpegel	≤40dB(A)	≤43 dB(A)	
Wassertank Kapazität	1.8L	1.8L	
Max. Kältemittelkapazität	R290/52g	R290/62g	
Nettogewicht	10.5kg	11.5 kg	
Minimale Raumgröße	4 m <sup>2</sup>	4 m <sup>2</sup>	
Abmessungen	296x416x217 mm	296x416x217 mm	

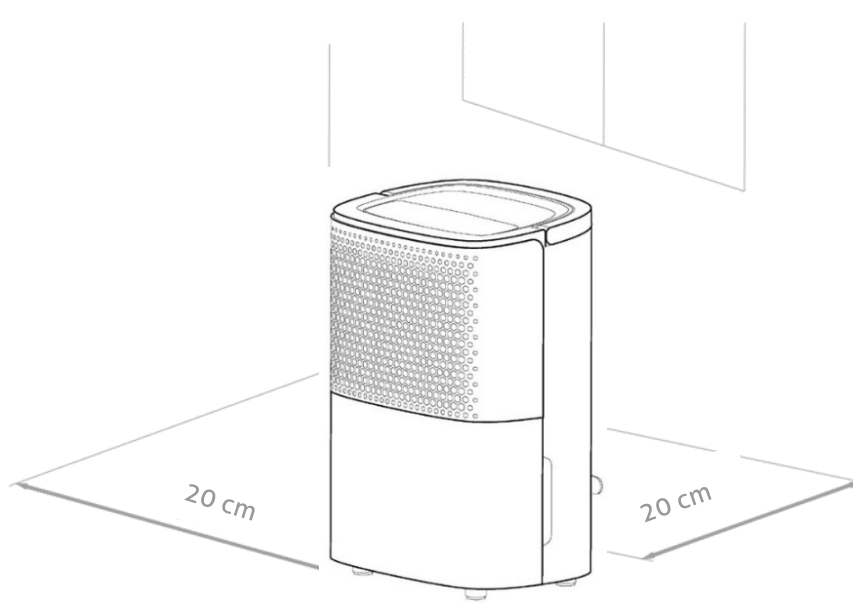
## 4. EINRICHTUNG

### A. STANDORT DES ENTFEUCHTERS

Place Stellen Sie das Gerät auf eine stabile, ebene Fläche und lassen Sie um das Gerät herum mindestens 20 cm Freiraum, um eine ordnungsgemäße Luftzirkulation zu gewährleisten.

**Installieren Sie niemals das Gerät:**

- Neben Wärmequellen wie Heizkörpern, Heizstrahler, Herden oder anderen wärmeerzeugenden Geräten.
- In einem Bereich, in dem Öl oder Wasser versprüht werden kann
- In direktem Sonnenlicht
- In einem Bereich mit Vibrationen oder mechanischen Stößen
- In einem Bereich mit übermäßigem Staub
- In einem unbelüfteten Bereich wie einem Schrank oder einer Bibliothek
- Auf unebenem Untergrund



**VORSICHT**

Stellen Sie das Gerät in Räumen auf, die größer sind als 4 m<sup>2</sup>.

Stellen Sie das Gerät nicht an einem Ort auf, an dem entflammendes Gas austreten kann.



**BEMERKUNG**

Der Hersteller kann ein anderes geeignetes Beispiel oder zusätzliche Informationen zum Geruch des Kältemittels bereitstellen.

**B. SICHERER GEBRAUCH DES GERÄTS**

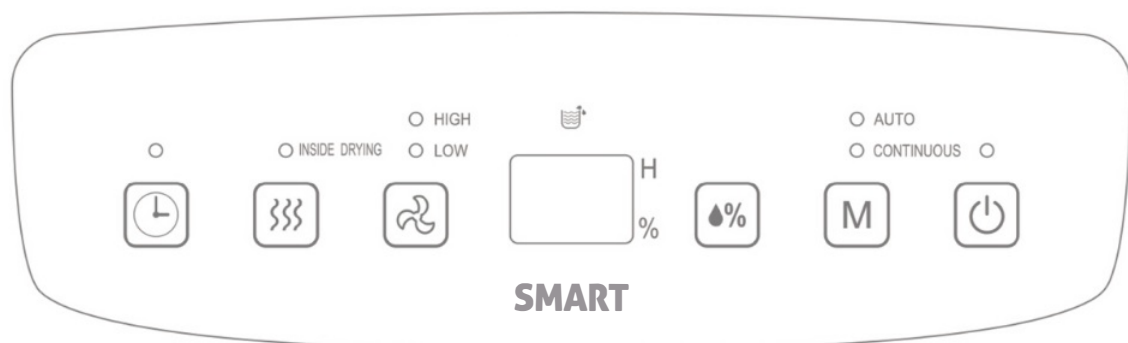
- Überprüfen Sie das Gerät nach dem Auspacken auf Beschädigungen oder Kratzer.
- Verwenden Sie dieses Gerät bei einer Umgebungstemperatur zwischen 5 ° C und 35 ° C.
- Verwenden Sie den Luftentfeuchter nicht im Freien. Dieser Luftentfeuchter ist nur für den Hausgebrauch bestimmt.
- Verwenden Sie den Luftentfeuchter nicht in der Nähe von Wänden, Vorhängen oder

anderen Gegenständen, die den Lufteinlass und -auslass blockieren könnten.

- Halten Sie die Einlass- und Auslassöffnungen frei von Hindernissen
- Wenn das Gerät in einem Winkel von mehr als 45 ° geneigt wurde, lassen Sie es vor dem Start mindestens 24 Stunden lang aufrecht stehen.
- Halten Sie Türen und Fenster geschlossen, um die Effizienz des Luftentfeuchters zu verbessern.
- Verwenden oder lagern Sie das Gerät nicht in direktem Sonnenlicht oder im Regen.
- Es ist normal, dass sich der Luftauslass nach einem Dauerbetrieb an heißen Tagen erwärmt.
- Leeren Sie den Wassertank, bevor Sie den Luftentfeuchter bewegen.
- Stellen Sie sicher, dass der Wassertank ordnungsgemäß montiert ist, da sonst das Gerät nicht richtig funktioniert.
- Der Luftentfeuchter startet in dem Modus, der bei der letzten Verwendung ausgewählt wurde.
- Der Luftentfeuchter beginnt, die Raumluft zu entfeuchten, wenn die Luftfeuchtigkeit 3% über dem gewählten Wert liegt.
- Der Kompressor ist mit einem Schutzsystem ausgestattet, das den Start um 3 Minuten verzögert. Sie müssen also 3 Minuten warten, bis das Gerät den Entfeuchtungsprozess wieder aufgenommen hat.

## 5. BETRIEB

### A. Control Panel



#### **Startknopf (POWER)**

Drücken Sie im Standby-Modus diese Taste, um das Gerät einzuschalten.

Die entsprechende Anzeige leuchtet auf, der Lüfter arbeitet mit einer hohen Standardgeschwindigkeit und die eingestellte Luftfeuchtigkeit beträgt 50%. Drücken Sie in diesem Modus dieselbe Taste, um das Gerät auszuschalten.



### Betriebsarten (MODE)

**Automatisch / Dauerentfeuchtung**, rücken Sie einmal, um zwischen den Modi zu wechseln. Die entsprechende Anzeige leuchtet auf.

- **Automatikmodus:** In diesem Modus starten der Kompressor und der Lüfter, wenn die Raumluftfeuchtigkeit höher als 5% ist. Wenn die Raumfeuchtigkeit um 5% unter der eingestellten Luftfeuchtigkeit liegt, schaltet der Kompressor ab und der Lüfter wird gemäß der Grundeinstellung betrieben, um die Luftfeuchtigkeit abzulesen. Die anfängliche Luftfeuchtigkeit beträgt 50%.
- **Kontinuierlicher Entfeuchtungsbetrieb - Trocknungsfunktion von Textilmaterialien**  
In diesem Modus arbeitet das Gerät unabhängig von der Luftfeuchtigkeit im Raum. Der Kompressor und der Lüfter arbeiten, wobei die Lüftergeschwindigkeit einstellbar ist.



### Zeitschaltuhr

Drücken Sie die Taste der Zeitschaltuhr, um diese Funktion von 1 bis 24 Stunden einzustellen. Die Einstellzeit beträgt 1 Stunde. Bei jedem Drücken dieser Taste erhöht sich der Wert um eine Stunde und wird auf dem Bildschirm angezeigt. Um die Timer-Funktion abzubrechen, wählen Sie "0". Die Zeitschaltuhr-Funktionsanzeige leuchtet auf. Nachdem Sie die Zeitschaltuhr-Funktion eingestellt haben, leuchtet die entsprechende LED für die gesamte eingestellte Zeit. Nach Ablauf der eingestellten Zeit erlischt die entsprechende LED automatisch.

Stellen Sie in der Betriebsart die Timer-Funktion ein, um das Gerät auszuschalten.

Stellen Sie im Standby-Modus die Timer-Funktion ein, um das Gerät einzuschalten.



### Einstellen der Feuchtigkeit

Drücken Sie die Luftfeuchtigkeitstaste, um die Luftfeuchtigkeit im Raum zu überprüfen. Drücken Sie dann diese Taste erneut und stellen Sie die gewünschte Luftfeuchtigkeit ein. Der gewünschte Einstellbereich für die Luftfeuchtigkeit (schrittweise) beträgt 80%-75%-65% ... 40%-35%-30%.

Nach dem Einstellen des gewünschten Niveaus bestätigt das System den Eingabewert, verlässt dann den Einstellmodus und kehrt zum aktuellen Feuchtigkeitsniveau zurück.

Im Entfeuchtungsmodus kann die Luftfeuchtigkeit nicht geändert werden.



### Lüftergeschwindigkeit

Lüfter: Drücken Sie im automatischen Entfeuchtungsmodus (AUTO) und im Trocknungsmodus (CONTINUOUS) diese Taste, um die Geschwindigkeit zu ändern.

Lüfter: Niedrige Geschwindigkeit / Hohe Geschwindigkeit. Für den ordnungsgemäßen Betrieb des Geräts arbeitet der Lüfter kontinuierlich bis zum Stillstand.

Anzeige: Im automatischen Entfeuchtungsmodus (AUTO) oder im Textiltrocknungsmodus (CONTINUOUS) wird die tatsächliche Raumfeuchtigkeit, die eingestellte Luftfeuchtigkeit und im TIMER-Modus die in Stunden eingestellte Zeit angezeigt.



### Interne Trockenfunktion

Drücken Sie die Taste INSIDE DRYING, um die interne Trockenfunktion zu starten, bevor Sie das Gerät ausschalten. Diese Funktion verhindert die Bildung von

Schimmel im Inneren des Geräts aufgrund von Feuchtigkeit, die nach dem Stoppen des Geräts zurückbleibt.



### Anzeige

Im automatischen Entfeuchtungsmodus (AUTO) oder im Textiltrocknungsmodus (CONTINUOUS) wird die tatsächliche Raumfeuchtigkeit, die eingestellte Luftfeuchtigkeit und im TIMER-Modus die in Stunden eingestellte Zeit angezeigt.



### ALARM FÜR VOLLEN WASSERTANK

#### • Wassertank Anzeiger

Wenn der Wassertank voll ist (die Wasserstandsanzeige im Vorratsbehälter kann jederzeit visuell eingesehen werden), hört das Gerät unter der Wirkung des Schwimmers im Tank auf zu laufen, und es ertönt zehnmal kurz ein Piepton, und die Meldung "FL" und die rote Tank-LED sind voll. Nehmen Sie den Wassertank aus dem Gerät und entleeren Sie ihn aus dem Wasser. Setzen Sie den Wasserablaufbehälter wieder ein und der Luftentfeuchter startet neu.

#### • Stoppen des Alarms

Wenn der Alarm aktiviert ist, drücken Sie eine beliebige Taste, um sie zu stoppen. Der Kompressor und der Lüfter sowie die anderen aktiven Funktionen stoppen, bis der Wassertank geleert und in die richtige Position wieder eingebaut wurde.

## B. DRAINAGE

Es gibt zwei Möglichkeiten, das gesammelte Wasser vom Gerät zu entfernen.

A. Drainage von Hand: Wassertank, manuell entnommen und entleert.

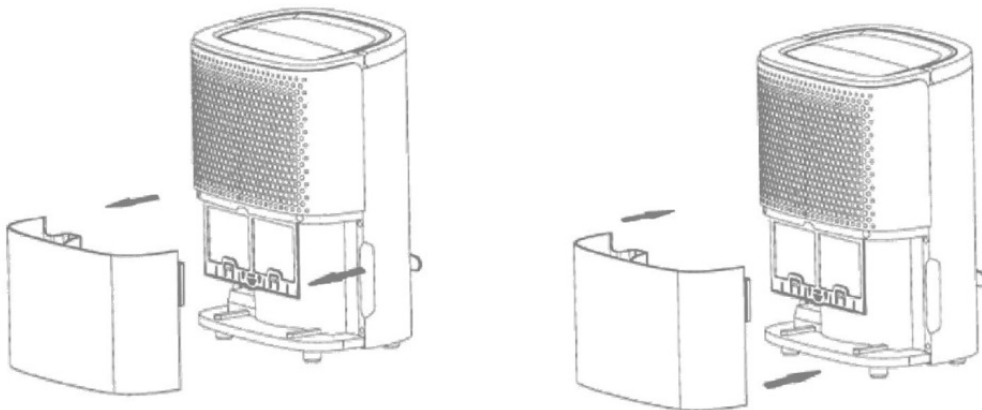
B. Kontinuierliche Drainage: Anbringen eines Schwerkraft-Entwässerungsschlauchs für kondensiertes Wasser am Gerät.

## C. LEEREN DES WASSERTANKES

The unit Das Gerät stoppt, sobald der Tank mit Wasser gefüllt ist. Der Luftentfeuchter startet erst wieder, nachdem Sie den Wassertank entleert und ordnungsgemäß wieder eingebaut haben. Wenn der Tank voll ist, ertönt ein akustisches Signal und die LED „Water Full - FL“ (Tank voll) leuchtet auf.

- Drücken Sie die POWER-Taste, um das Gerät auszuschalten.
- Ziehen Sie den Wassertank heraus und er wird aus dem Entfeuchtergehäuse herauskommen.
- Lassen Sie das Wasser aus dem Tank ab.
- Reinigen Sie gegebenenfalls das Innere des Tanks sowie das Äußere.
- Setzen Sie den leeren Tank wieder in das Gerät ein.
- Drücken Sie die POWER-Taste, um das Gerät wieder anzuschalten.

**HINWEIS:** Wenn die Tankfüllanzeige weiterhin leuchtet, prüfen Sie, ob sich der Tankschwimmer in der richtigen Position befindet und nicht in einer anderen Position verriegelt ist.



#### D. KONTINUIERLICHE ENTWÄSSERUNG

Für Dauerbetrieb oder unbeaufsichtigte Entfeuchtung schließen Sie bitte den Ablaufschlauch an das Gerät an. Das Kondenswasser fließt frei durch die Schwerkraft in einen Eimer oder in eine Ablauföffnung.

Entfernen Sie vor dem Anschließen des Schlauchs den Gummistopfen, der am Anschluss für den kontinuierlichen Abfluss an der Rückseite des Geräts angebracht ist. Entfernen Sie den Wassertank und verriegeln Sie ihn bei entferntem Gummistopfen. Das Loch an der Vorderseite des Geräts leitet normalerweise das Wasser im Tank ab, sodass das Wasser durch den hinteren Teil, an den es den Ablaufschlauch anschließt, abfließt.

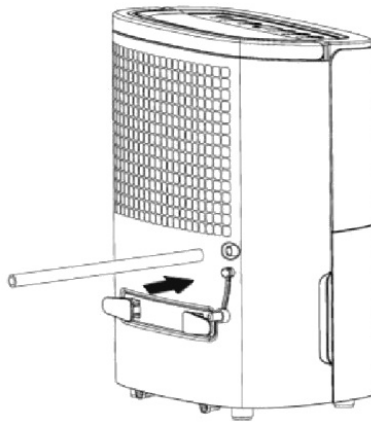
Schließen Sie einen Wasserablaufschlauch (im Lieferumfang enthalten) an der Rückseite des Geräts an

(Innendurchmesser des Anschlusses: 9 mm), das Wasser kann kontinuierlich abgelassen werden. Überprüfen Sie, dass die

Der Schlauch ist ordnungsgemäß an die Ablauföffnung angeschlossen, um ein versehentliches Auslaufen von Wasser zu vermeiden.

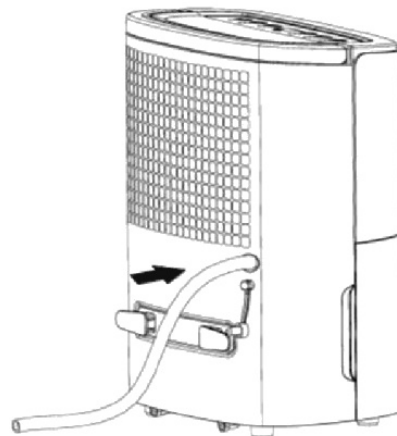
- Stellen Sie das Gerät auf eine horizontale und stabile Oberfläche.
- Schalten Sie das Gerät aus, bevor Sie das Wasser ablassen.

Entfernen Sie den Stopfen aus dem Wasserablaufloch und bewahren Sie ihn an einem sicheren Ort auf.



Kontinuierliche Entfeuchungsöffnung

- Schließen Sie den Ablaufschlauch richtig an und stellen Sie sicher, dass er nicht verstopft ist.
- Stecken Sie das Ablaufende des Schlauchs in einen Abfluss oder einen Eimer und stellen Sie sicher, dass das Wasser ungehindert aus dem Gerät abfließen kann.
- Tauchen Sie das Schlauchende nicht in Wasser, da dies dazu führen kann, dass sich die Luft im Schlauch "blockiert".



**Um ein Auslaufen von Wasser zu verhindern:**

- Da der Unterdruck des Kondensatablaufbehälters hoch ist, neigen Sie den Ablaufschlauch nach unten, auf den Boden. Der Neigungswinkel muss über 20° sein.
- Den Schlauch gerade ziehen, um ein Verbiegen zu vermeiden.

**E. ANTI-FROST-FUNKTION**

Die Anzeige ‚P1‘ steht für ‚Anti-Frost‘ und wird aktiv, wenn die Raumtemperatur unter 16 °C sinkt. Sie aktiviert sich zwischen 2-12 °C für 8 Minuten (alle 38 Minuten) und zwischen 12-16 °C für 5 Minuten (alle 60 Minuten).

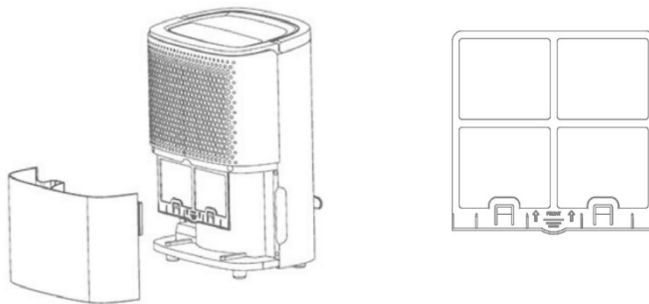
## 6. INSTANDHALTUNG

### REINIGUNG DES LUFTFILTERS

Reinigen Sie den Filter mindestens alle zwei Wochen oder bei Bedarf. Die in einem unsauberen Filter angesammelten Verunreinigungen können vom Lüfter absorbiert werden und am Verdampfer, Kondensator und anderen Bauteilen im Inneren des Geräts befestigt werden. Dies führt zu einer Verringerung des Wirkungsgrades und zum Auftreten verschiedener Fehler, die nicht von der Garantie abgedeckt sind.

Wenn sich im Inneren des Geräts Verunreinigungen befinden, wenden Sie sich zur professionellen Reinigung an die nächstgelegene autorisierte Servicewerkstatt. Führen Sie internen Reinigungsarbeiten (außer dem Reinigen und Waschen des abwaschbaren Filters) nur mit Fachpersonal durch.

- a) Nehmen Sie die Filterabdeckung ab und entfernen Sie den Filter.



- b) Use a vacuum cleaner to gently absorb the dust on the surface of the filter. Verwenden Sie einen Staubsauger, um Staub vorsichtig von der Filteroberfläche zu entfernen. Reinigen Sie die Oberfläche des Geräts mit einem feuchten Lappen. Benutzen Sie keine Scheuermittel oder Scheuerschwämme.

- c) Setzen Sie den Filter wieder hinter das Gerät.

## 7. FEHLERBEHEBUNG

### A. BETRIEBSTEMPERATUR

**5°C ≤ Umgebungstemperatur ≤ 35°C** Wenn die Umgebungstemperatur niedriger oder höher als die Betriebstemperatur ist, stoppt der Luftentfeuchter.

**Wenn 5°C ≤ Temp. der Umgebung ≤ 16°C**, taut der Kompressor in bestimmten Intervallen automatisch ab; Während des Abtauens stoppt der Kompressor und der Lüfter läuft weiter.



## B. BEVOR SIE SICH AN DIE SERVICEWERKSTATT WENDEN

Konsultieren Sie die Liste der möglichen Probleme, die während des Betriebs des Geräts auftreten können und die nicht auf einen Arbeitsmangel oder Materialfehler zurückzuführen sind, bevor Sie sich an das Servicecenter wenden.

Problem	Mögliche Ursachen	Lösung
Das Gerät funktioniert nicht	Es gibt keine Stromzufuhr. Die Umgebungstemperatur ist zu niedrig oder zu hoch.	Schließen Sie das Gerät an eine Steckdose an und schalten Sie es ein.
	Die Anzeige "Water Full" (Tank voll) leuchtet.	Leeren Sie den Wasserbehälter und bauen Sie ihn wieder richtig ein.
	Raumtemperatur <5°C oder >35°C	Schutzsystem installiert, um das Gerät zu schützen. Das Gerät kann bei einer solchen Temperatur nicht betrieben werden.
Schadhafter Betrieb	Blockierter Luftfilter?	Reinigen Sie den Luftfilter wie es in dieser Bedienungsanleitung beschrieben wird.
	Ist die Einlass- oder Auslassöffnung blockiert?	Entfernen Sie alles, was die Einlass- oder Auslassöffnung blockiert.
Die Lufteinlassöffnung erlaubt es der Luft nicht durch	Filter blockiert?	Waschen Sie den Filter.
Das Gerät macht während des Betriebs Geräusche	Befindet sich das Gerät auf einer ebenen, waagerechten Fläche?	Stellen Sie das Gerät richtig auf..
	Filter blockiert?	Waschen Sie den Filter.
Wasser leckt.	Der Ablaufschlauch sitzt nicht richtig.	Versichern Sie sich, dass der Schlauch fest sitzt.
	Der Schlauch ist blockiert.	Reinigen Sie den Schlauch.
Die Entfeuchtung ist unzureichend.	Die Umgebungstemperatur oder Luftfeuchtigkeit ist zu niedrig.	In trockenen Umgebungen ist die Leistung geringer.

## 8. ENTSORGUNG

### A. LAGERUNG DER EINHEIT

Langfristige Lagerung - Wenn Sie das Gerät für längere Zeit nicht verwenden (mehr als einige Wochen), empfehlen wir Ihnen dieses zu reinigen und vollständig zu trocknen. Bitte lagern Sie das Gerät wie folgt:

- a) Drücken Sie den Netzschalter, um das Gerät auszuschalten und vom Stromnetz zu trennen.
- b) Lassen Sie das restliche Wasser aus dem Gerät ab
- c) Reinigen Sie den Filter und lassen Sie ihn an einem lichtfreien Ort vollständig trocknen.
- d) Wickeln Sie das Netzkabel ein.
- e) Setzen Sie den Filter wieder in die richtige Position ein.
- f) Das Gerät muss bei der Lagerung aufrecht stehen.
- g) Bewahren Sie den Luftentfeuchter in einem belüfteten, trockenen und brennstofffreien Raum auf.

**VORSICHT:** Der Verdampfer im inneren des Luftentfeuchters muss vor dem Verpacken trocken sein, um Schäden an den Bauteilen und das Auftreten von Schimmel zu vermeiden. Ziehen Sie den Netzstecker aus der Steckdose und stellen Sie das Gerät tagelang an einen trockenen Ort, um es gut zu trocknen. Eine andere Möglichkeit zum Trocknen des Geräts besteht darin, die Luftfeuchtigkeit auf 5% über der Umgebungsfeuchtigkeit einzustellen und den Lüfter zu zwingen, den Verdampfer mehrere Stunden lang zu trocknen.

## B. ENTSORGUNG



**WARNUNG!!!** Befindet sich die linke Abbildung (durchgestrichene Mülltonne auf Rädern) auf dem Produkt, gilt die Europäische Richtlinie 2012/19/EU. Die Freisetzung des Kältemittels in die Atmosphäre ist strengstens untersagt! Entsorgen Sie Elektrogeräte nicht als unsortierten Hausmüll, sondern verwenden Sie getrennte Sammelräume. Informationen zu den in der Region verfügbaren Sammelsystemen erhalten Sie von Ihrer örtlichen Verwaltungsbehörde. Wenn Elektrogeräte mit dem Hausmüll entsorgt werden, können gefährliche Stoffe in das Grundwasser gelangen und die Nahrungskette erreichen, was die Gesundheit und das Wohlbefinden der Menschen schädigt.

# ES: CONTENIDO

1.	NOCIONES PRELIMINARES	61
2.	PRECAUCIONES DE SEGURIDAD EN REPARACIONES	63
3.	PRESENTACIÓN DEL PRODUCTO	69
4.	INSTALACIÓN	70
5.	FUNCIONAMIENTO	72
6.	MANTENIMIENTO	76
7.	SOLUCIONAR LOS PROBLEMAS	77
8.	ELIMINACIÓN	78

Gracias por elegir nuestro deshumidificador.

Asegúrese de leer este manual detenidamente antes de utilizar el deshumidificador.

*Por favor lea atentamente este manual para referencias futuras!*

# 1. NOCIONES PRELIMINARES

Por favor lea con atención el manual de utilización antes de poner en función el deshumidificador por primera vez.

## A. DESCRIPCIÓN DEL PRODUCTO

El deshumidificador se utiliza para eliminar el exceso de humedad del aire. La reducción de los niveles de humedad protege los edificios y objetos que se encuentran dentro de ellos de los efectos adversos de la humedad.

La impedancia de la unidad no debe exceder 0,236 ohmios. El incumplimiento de estos requisitos puede dar lugar a restricciones impuestas por las autoridades de suministro de electricidad. Verificar con las autoridades locales de suministro de electricidad si la impedancia eléctrica excede 0.236 ohmios.

El producto R290 es ecológico y se utiliza como refrigerante. R290 no tiene ninguna influencia negativa sobre la capa de ozono (ODP) o efecto invernadero (GWP) y está disponible en todo el mundo. Debido a sus propiedades energéticas eficientes, R290 es muy adecuado como refrigerante en la situación dada. Sin embargo, precauciones especiales se deben tener en cuenta debido al alto nivel de inflamabilidad del refrigerante.

## B. SÍMBOLOS UTILIZADOS EN LA UNIDAD Y EN EL MANUAL



**Advertencia!**

Este dispositivo utiliza refrigerante.

Si el refrigerante drena y entra en contacto con una fuente de llama o calentamiento, creará gases nocivos y existe el riesgo de incendio.



Lea atentamente el manual de instrucciones antes de utilización.



Encontrará información adicional en el MANUAL DE UTILIZACIÓN y en el MANUAL DE SERVICIO.



Antes de poner el dispositivo en funcionamiento, las personas que efectúan las operaciones de servicio deben leer atentamente el MANUAL DE UTILIZACIÓN y el MANUAL DE SERVICIO.

### C. SIEMPRE PRESTE ATENCIÓN A LA SIGUIENTE INFORMACIÓN

- Cualquier persona que está involucrada en el trabajo con un agente frigorífico o en un circuito de refrigeración debe ser titular de un certificado válido emitido por una entidad de valoración acreditada en el campo que tiene la facultad de autorizar el tratamiento seguro de los agentes frigoríficos, de conformidad con los requisitos de valoración reconocidos en el campo.
- Considerar la protección del medio ambiente al retirar el empaquetado de la unidad y la propia unidad al final de su vida útil.
- La unidad debe ser almacenada en un área bien ventilada, donde el tamaño de la habitación es adecuada a las condiciones de funcionamiento.
- El aparato debe ser almacenado de modo que no se puedan producir daños mecánicos.
- Información para los espacios en que se permiten las tuberías de agente frigorífico:
  - La instalación de las tuberías debe mantenerse al mínimo;
  - Las tuberías deben ser protegidas de daño físico y, en el caso de agentes frigoríficos inflamables, se deben instalar en un espacio bien ventilado;
  - El cumplimiento de las normas nacionales sobre el gas;
  - Las conexiones mecánicas deben ser accesibles para el mantenimiento;
  - En el caso de las unidades que contienen agentes frigoríficos inflamables, la superficie mínima de la habitación debe indicarse como una tabla o una sola figura sin referencia a una fórmula;
- No obstruir las rejillas de entrada y salida del aire.
- Cualquier intervención en relación con el mantenimiento se llevará a cabo sólo de acuerdo con las recomendaciones del fabricante;
- Las tuberías conectadas a un dispositivo no deben incluir una fuente potencial de fuego;
- Cuando el aparato de aire acondicionado portátil o el deshumidificador está encendido, el ventilador puede funcionar de forma continua en condiciones normales para proporcionar el volumen de aire mínimo de 80 m<sup>3</sup>/h, incluso cuando el compresor esta apagado por causa del controlador de temperatura.
- No perforar ni incinerar.
- Utilizar solamente herramientas recomendadas por el fabricante para la descongelacion o limpieza
- No perforar alguno de los componentes del circuito de refrigeracion. El gas de refrigeracion puede ser inodoro
- Almacenar el aparato con cuidado para evitar los dafios mecanicos.
- Solo el personal autorizado por una agencia acreditada que certifica sus

habilidades pueden manejar los agentes frigoríficos, de acuerdo con la legislación local

- Todas las reparaciones deben ser llevadas a cabo de acuerdo con las recomendaciones del fabricante.
- El mantenimiento y las reparaciones que requieren la asistencia de personal cualificado deben llevarse a cabo bajo la supervisión de especialistas en el uso de agentes frigoríficos inflamables.
- No perforar alguno de los componentes del circuito con agente frigorífico. El agente frigorífico puede ser inodoro.

Advertencias adicionales para la unidad que utiliza agente frigorífico R290 (vease la placa de datos técnicos para el tipo de agente frigorífico utilizado).



ELTGRO DE FUEGO

Lea el manual de mantenimiento Antes de usar el aparato

El agente frigorífico R290 cumple con las directivas europeas en materia de protección del medio ambiente.

Turbionaire Smart 8 Eco/ Smart 10 Eco contiene aproximadamente 40g de agente frigorífico R290.

Turbionaire Smart 12 Eco contiene aproximadamente 55g de agente frigorífico R290.

Turbionaire Smart 14 Eco contiene aproximadamente 52g de agente frigorífico R290.

Turbionaire Smart 16M contiene aproximadamente 62g de agente frigorífico R290

La unidad debe ser instalada, usada y almacenada en una habitación más grande que 4 m<sup>2</sup>.

**NO RESPETAR LAS INSTRUCCIONES DE SEGURIDAD PUEDE AUMENTAR EL RIESGO DE EXPLOSIONES, MUERTE, LESIONES Y DAÑOS MATERIALES.**

## 2. PRECAUCIONES DE SEGURIDAD EN REPARACIONES

**Su seguridad es lo más importante para nosotros**



Lea atentamente este manual antes de usar el deshumidificador.



Toda persona que trabaje con un circuito de refrigeración deberá poseer un certificado válido expedido por una autoridad de evaluación acreditada en el campo que autorice su competencia para manipular los refrigerantes en condiciones seguras, de acuerdo con las especificaciones reconocidas en esa industria.



Las reparaciones de la instalación deben llevarse a cabo únicamente de acuerdo con las recomendaciones del fabricante. El mantenimiento y las reparaciones requieren la asistencia de personal cualificado y se llevarán a cabo bajo la supervisión de una persona competente en el uso de refrigerantes inflamables. Si hay algunos aspectos

que no entienda o si necesita ayuda, póngase en contacto con los servicios del distribuidor autorizado.

## **Instrucciones sobre reparaciones a las unidades que contienen R290**

### **1. Inspección del lugar de trabajo**

Antes de empezar a trabajar en los sistemas que contienen agentes frigoríficos inflamables, son necesarios controles de seguridad para reducir el riesgo de incendio. Para reparar el sistema de refrigeración, se deben seguir las siguientes precauciones antes de llevar a cabo los trabajos en el sistema.

### **2. Procedimiento de trabajo**

Los trabajos se llevan a cabo de acuerdo con un procedimiento controlado, a fin de minimizar el riesgo de fuga de gas inflamable o vapores durante los procedimientos de trabajo.

### **3. Área general de trabajo**

Todo el personal a cargo del mantenimiento, como también el que trabaja en los sitios adyacentes debe ser instruido sobre la naturaleza del trabajo que realizan. El trabajo en espacios confinados debe ser evitado. Se definirá el área alrededor del área de trabajo. Asegúrese de que en el área de trabajo se siguen las medidas de seguridad mediante el control del material inflamable.

### **4. Inspección de la presencia del agente frigorífico**

El área será controlada con un detector de agente frigorífico adecuado antes y durante el trabajo, para asegurarse de que el técnico es consciente de la atmósfera potencialmente inflamable. Asegúrese de que el equipamiento de detección de fugas utilizado es adecuado en el caso de los agentes frigoríficos inflamables, es decir resistente a la ignición, protegido o sellado correctamente.

### **5. La presencia del extintor de incendios**

Si se debe llevar a cabo un trabajo en caliente dentro de la instalación de refrigeración o en cualquiera de sus partes, siempre debe tener disponible el equipo adecuado para la extinción de incendios. Asegúrese de la existencia de un polvo seco o de un extintor de incendios CO<sub>2</sub>, adyacente al área de trabajo.

### **6. Sin fuentes abiertas de llamas**

Ninguna persona que realiza trabajos en la instalación de refrigeración que implica la exposición directa al agente frigorífico inflamable no utilizará alguna fuente abierta de llamas, si no aumentará considerablemente el riesgo de incendio o explosión. Todas las fuentes de ignición, incluyendo los cigarrillos, deben mantenerse alejados del lugar de instalación, reparación, retirada y eliminación, procedimientos durante los cuales podría ser liberado el agente frigorífico inflamable en el espacio circundante. Antes de empezar a trabajar en una tal instalación, la zona circundante debe ser monitoreada para asegurarse de que no hay ningún riesgo de ignición. También se debe exponer el mensaje "Prohibido fumar".

### **7. Área ventilada**

Asegurarse de que el área está abierta o bien ventilada antes de empezar a trabajar en la

instalación de refrigeración o de realizar cualquier trabajo en caliente. Es necesario tener un ventilador durante los trabajos. A través de la ventilación se debería dispersar de forma segura cualquier agente frigorífico liberado y, preferiblemente, expulsarlo a la atmósfera exterior.

### **8. Inspecciones del equipamiento de refrigeración**

Si se cambian los componentes eléctricos, estos deben cumplir con las especificaciones técnicas. Llevar a cabo las instrucciones del fabricante en relación con el mantenimiento y la revisión. En caso de duda, consultar con el departamento técnico del fabricante para obtener ayuda. Los siguientes controles se aplican a las instalaciones que utilizan agentes frigoríficos inflamables:

- la cantidad del cargo está conforme con el tamaño de la habitación en la que están instalados los componentes que contienen agente frigorífico;
- los ventiladores y las rejillas de evacuación del aire están funcionando correctamente y no están obstruidas;
- si se utiliza un circuito indirecto de refrigeración, el circuito secundario debe ser comprobado en la presencia del agente frigorífico;
- Marcado de los equipos debe ser visible. Los signos y símbolos que son ilegibles serán corregidos;
- Las tuberías o los componentes de la instalación frigorífica se colocan en una posición en la que es poco probable que sean expuestos a cualquier sustancia que pueda corroer los componentes que contienen agente frigorífico, a menos que los componentes están hechos de materiales resistentes a la corrosión o adecuadamente protegidos contra la corrosión.

### **9. Inspección de los dispositivos eléctricos**

La reparación y el mantenimiento de los componentes eléctricos deben incluir comprobaciones de seguridad iniciales y procedimientos de inspección de componentes. Si hay un fallo que pudiera comprometer la seguridad, entonces el circuito no se debe conectar a una fuente de alimentación hasta que el fallo no se aborda de manera satisfactoria. Si el fallo no se puede corregir de inmediato, pero requiere la continuación del funcionamiento, debe utilizarse una solución temporal adecuada. Esto se debe informar al propietario del equipo, de modo que todas las partes estén informadas. Las comprobaciones de seguridad iniciales se llevan a cabo si:

- Los condensadores están descargados: esto se hace de una manera segura para evitar las chispas;
- No se exponen los componentes eléctricos y los cables eléctricos durante el recargo, el reacondicionamiento o la limpieza de la instalación;
- Hay continuidad de conexión a una puesta a tierra.

### **10. Reparación de componentes estancos**

Durante la reparación de los componentes estancos, todas las fuentes de energía eléctrica deben ser desconectadas del equipo en el que se debe intervenir, antes de que cualquier eliminación de las tapas para sellado etc. Si la alimentación eléctrica del equipo es absolutamente necesaria durante el mantenimiento, entonces se debe considerar un sistema continuo de detección de fugas en el punto más crítico para advertir una situación potencialmente peligrosa.



Se debe prestar una atención especial a los siguientes asuntos para asegurarse de que, durante los trabajos en los componentes eléctricos, la carcasa no se modifica de manera que el nivel de protección pueda verse afectado. Estos incluyen los daños a los cables, el número excesivo de conexiones, los terminales que no cumplan con las especificaciones iniciales, los daños en los sellos, la instalación incorrecta de las juntas de estanqueidad etc. Asegurarse de que el dispositivo está montado de forma segura. Asegurarse de que los sellos o los materiales de sellado no se han degradado de manera que no sirvan al propósito de impedir la penetración de gases inflamables. Las piezas de repuesto deben cumplir con las especificaciones del fabricante.

#### **11. Reparaciones de los componentes con fusibles intrínsecos**

No utilizar cargas permanentes inductivas o capacitivas en el circuito sin asegurarse de que no se exceda la tensión y la corriente permitida para el equipo utilizado. Los componentes con fusibles intrínsecos son los únicos tipos con los que se puede trabajar en una atmósfera inflamable. El aparato de ensayo debe ser evaluado correctamente.

Reemplazar los componentes sólo con las piezas especificadas por el fabricante. Otros componentes pueden causar el encendido del agente frigorífico de la atmósfera debido a una fuga.

#### **12. Cables**

Comprobar que los cables no estarán sujetos a desgaste, corrosión, presión excesiva, vibraciones, bordes afilados u otros efectos adversos para el medio ambiente. La comprobación debe también considerar los efectos de los daños con el tiempo o de las vibraciones continuas a partir de fuentes tales como compresores o ventiladores.

#### **13. Detección de agentes frigoríficos inflamables**

De ninguna manera se deben utilizar posibles fuentes de ignición en la búsqueda o detección de fugas de agente frigorífico. No utilizar una lámpara de halógeno (o cualquier otro detector que usa una llama abierta).

#### **14. Eliminación y drenaje**

Al intervenir en el circuito del agente frigorífico para reparaciones - o para cualquier otro propósito - se utilizarán los procedimientos convencionales. Sin embargo, cuando se trata de agentes frigoríficos es importante seguir las mejores prácticas ya que existe un alto riesgo de incendio. Seguir este procedimiento:

- Retirar el agente frigorífico;
- Purgar el circuito con gas inerte;
- Drenar;
- Purgar de nuevo con gas inerte;
- Abrir el circuito por corte o soldadura fuerte.

La cantidad de agente frigorífico se recupera en los cilindros de recuperación adecuados. Para las unidades que contienen agente frigorífico, el sistema se debe purgado con OFN para proteger la unidad. Este proceso se puede repetir varias veces. No utilizar aire comprimido u oxígeno para este procedimiento. El lavado se realiza mediante la introducción forzada de OFN (nitrógeno libre de oxígeno) en el sistema hasta alcanzar la presión de trabajo, seguido de la ventilación a la atmósfera, y, finalmente, la aspiración. Este proceso se repite hasta que en el sistema ya no permanece agente frigorífico. Cuando se

utiliza la cantidad final de OFN, el sistema debe ser ventilado a la presión de aire para permitir el trabajo. Esta operación es absolutamente vital si se deben hacer las operaciones de soldadura de tubería. Asegurarse de que el enchufe para la bomba de vacío no está cerca de fuentes abiertas de llamas y de que existe una ventilación disponible.

#### **15. Procedimientos de llenado**

Además de los procedimientos convencionales de llenado, se deben cumplir los siguientes requisitos:

- Asegurarse de que no hay contaminación de diferentes agentes frigoríficos cuando se utiliza equipo de llenado. Las mangueras deben ser tan cortas como sea posible para minimizar la cantidad de agente frigorífico contenido en las mismas.
- Los cilindros deben mantenerse en posición vertical.
- Asegurarse de que el sistema de refrigeración está conectado a tierra antes de llenar el sistema con agente frigorífico.
- Etiquetar el sistema después de llenarlo con agente frigorífico (si no está ya etiquetado).
- No sobrecargar el sistema de refrigeración.

Antes de volver a llenarlo, el sistema debe ser probado con OFN. Se debe comprobar si hay fugas en el sistema al terminar el procedimiento de llenado, pero antes de poner en marcha la unidad. Después del procedimiento de llenado, realizar una prueba de detección de fugas.

#### **16. Desmantelamiento**

Antes de realizar este procedimiento, es esencial que el técnico esté completamente familiarizado con el equipo y todos sus componentes. Se recomienda que todos los agentes frigoríficos se recuperen de forma segura. Antes de este procedimiento, se toma una muestra del aceite y del agente frigorífico, en el caso de que sea requerido un análisis antes de la reutilización del agente frigorífico regenerado. Es esencial que el suministro de electricidad esté disponible antes de iniciar el procedimiento.

- a. Familiarizarse con el equipo y su funcionamiento.
- b. Aislar eléctricamente el sistema.
- c. Antes del procedimiento, asegurarse de que:
- d. Hay un equipo de manipulación mecánico, si es necesario para el manejo de cilindros de agentes refrigerantes;
- e. Todos los equipos de protección personal están disponibles y se utilizan correctamente;
- f. El proceso de recuperación está supervisado en todo momento por una persona cualificada;
- g. Los equipos de recuperación y los cilindros cumplen con las normas pertinentes.
- h. Si es posible, vaciar el sistema de refrigeración.
- i. Si la aspiración no es posible, usar un colector de manera que el agente frigorífico pueda ser retirado de varias partes del sistema.
- j. Asegurarse de que el cilindro está en una posición vertical antes de la recuperación.
- k. Poner en marcha la máquina de recuperación y utilizarla de conformidad con las instrucciones del fabricante.
- l. No llenar los cilindros. (No más del 80% de la cantidad de líquido).

- m. No exceder la presión máxima de trabajo del cilindro, aunque sea temporalmente.
- n. Cuando los cilindros se cargaron correctamente y se completó el proceso, asegúrese de que material se elimina rápidamente de la zona de trabajo y que todas las válvulas de aislamiento de equipos están cerrados
- o. El agente frigorífico recuperado no se debe cargar en otro sistema de refrigeración a menos que fuera limpiado y comprobado.

#### **17. Etiquetado**

El equipo se debe etiquetar con la mención de que se ha desmantelado y vaciado de agente frigorífico. La etiqueta debe estar fechada y firmada. Asegurarse de que no hay etiquetas en los equipos que indique que el equipo contiene agente frigorífico inflamable.

#### **18. Recuperación**

Cuando se ejecuta el procedimiento de retirada del agente frigorífico de un sistema, sea para mantenimiento de desmantelamiento, se recomienda que todos los agentes frigoríficos sean eliminados de manera segura.

Al transferir el agente frigorífico en los cilindros, de refrigerante, asegurarse de que sólo se utilizan cilindros de recuperación para agentes frigoríficos. Asegurarse de que el número correcto de cilindros es disponible para la recuperación de la cantidad total de refrigerante del sistema. Todos los cilindros que se van a utilizar están destinados al agente frigorífico recuperado y etiquetados para el agente frigorífico correspondiente (es decir cilindros especiales para la recuperación del agente frigorífico). Los cilindros deben estar equipados con válvulas de alivio de presión y de cierre asociadas, en buen estado de funcionamiento. Los cilindros de recuperación vacíos son evacuados y, si es posible, enfriados antes de recuperarse.

El equipo de recuperación debe estar en buen estado de funcionamiento, previsto con un conjunto de instrucciones sobre el equipo disponible y ser adecuado para el procedimiento de recuperación de los agentes frigoríficos inflamables. Además, un conjunto de escalas calibradas debe estar disponible y en buen estado de funcionamiento.

Las mangueras deben estar equipadas con mecanismos de conexión sin fugas y en buenas condiciones. Antes de usar la máquina de recuperación, asegurarse de que está en buen estado de funcionamiento, mantenida de manera adecuada y que todos los componentes eléctricos asociados están sellados para evitar la ignición si se libera un agente frigorífico. Consultar con el fabricante en caso de duda. El agente frigorífico será devuelto de manera adecuada al proveedor de agente frigorífico, en el cilindro de recuperación de refrigerante y preparará la Nota sobre la Transferencia de los Residuos. No mezclar los agentes de refrigeración de las unidades de recuperación y, especialmente, no en el cilindro. Si se deben eliminar los compresores o los aceites de los compresores, asegurarse de que fueron evacuados a un nivel aceptable para asegurarse de que el agente frigorífico inflamable no se queda en el lubricante.

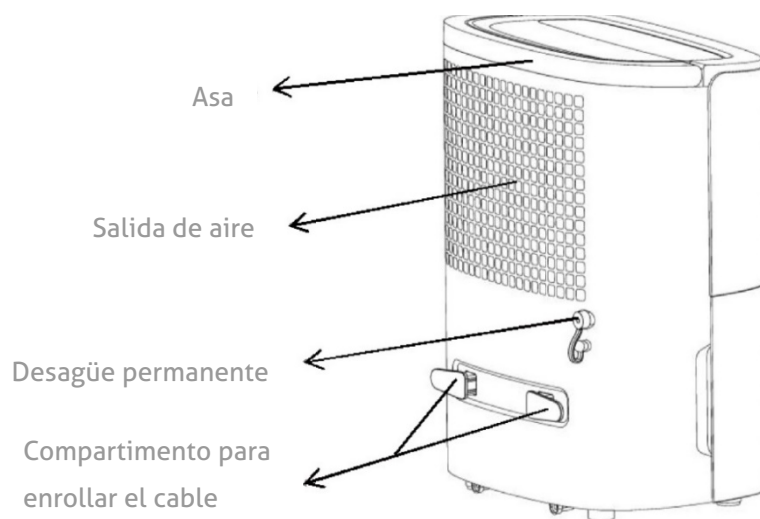
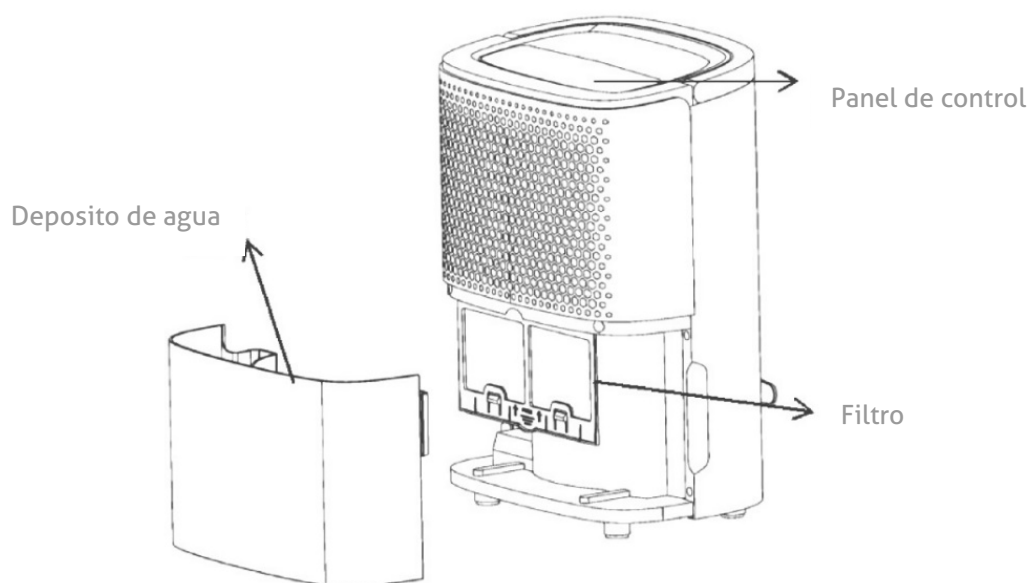
El proceso de evacuación debe ser realizado antes de devolver el compresor a los proveedores. Usar solamente la calefacción eléctrica del cuerpo del compresor para acelerar este proceso. Cuando el aceite se extrae de un sistema, hay que hacerlo de forma segura.

Los controles de seguridad iniciales se llevarán a cabo cuando:

- los condensadores estén descargados: esto debe hacerse de forma segura para evitar que surjan chispas;
- los componentes y cables eléctricos no están bajo tensión y durante la carga, recuperación o drenaje del sistema;
- hay una continuidad de la puesta a tierra

### 3. PRESENTACIÓN DEL PRODUCTO

#### A. VISTA FRONTAL Y TRASERA



## B. CARACTERÍSTICAS

- Powerful Eliminación eficaz de la humedad
- Supervisa y muestra la humedad actual en el aire
- El modo automáticamente ajusta el nivel de humedad
- Temporizador con un intervalo de 24 horas para ajustar el tiempo de funcionamiento
- El ventilador es silencioso y tiene dos marchas de velocidad
- Descongelación automática en caso de funcionamiento a temperatura baja
- Apagado automático/reinicio automático
- Control Electrónico
- Función de secado de la ropa
- Modo de drenaje continuo

## C. ESPECIFICACIONES TÉCNICAS

MODELO	SMART 8 eco	SMART 10 eco	SMART 12 eco
Capacidad deshumidificación	8L/día (30°C, 80%)	10L/día (30°C, 80%)	12L/día (30°C, 80%)
Podor	AC220-240V/50Hz	AC220-240V/50Hz	AC220-240V/50Hz
Consumo	200W/1.1A	200W/1.1A	200W/1.1A
Nivel del ruido	≤40dB(A)	≤40dB(A)	≤40dB(A)
Capacidad del tanque de agua	1.8L	1.8L	1.8L
Capacidad máx. de refrigerante	R290/40g	R290/40g	R290/55g
Peso neto	10kg	10kg	10.5kg
Tamaño mín. de la habitación	4 m <sup>2</sup>	4 m <sup>2</sup>	4 m <sup>2</sup>
Dimensiones	296x416x217 mm	296x416x217 mm	296x416x217 mm
MODELO	SMART 14 eco	SMART 16M	
Capacidad deshumidificación	14L/día (30°C, 80%)	16L/día (30°C, 80%)	
Podor	AC220-240V/50Hz	AC220-240V/50Hz	
Consumo	250W/1.4A	250W/ 1.4A	
Nivel del ruido	≤40dB(A)	≤43 dB(A)	
Capacidad del tanque de agua	1.8L	1.8L	
Capacidad máx. de refrigerante	R290/52g	R290/62g	
Peso neto	10.5 kg	11.5 kg	
Tamaño mín. de la habitación	4 m <sup>2</sup>	4 m <sup>2</sup>	
Dimensiones	296x416x217 mm	296x416x217 mm	

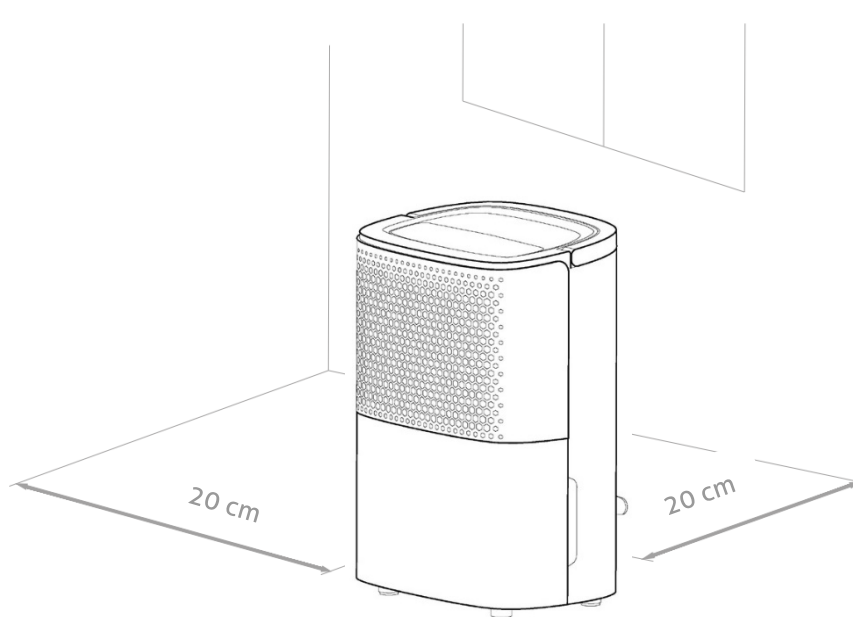
## 4. INSTALACIÓN

### A. UBICACIÓN DEL DESHUMIDIFICADOR

Coloque la unidad sobre una superficie plana y estable y mantenga al menos 20 cm de espacio libre a su alrededor para permitir una circulación de aire adecuada.

Nunca instale la unidad :

- Cerca de fuentes de calor como calefactores, radiadores, estufas u otros dispositivos
- En una zona donde se puede salpicar aceite o agua
- En la luz directa del sol
- En una zona con vibraciones o choques mecánicos
- En una zona con exceso de polvo
- En una zona no ventilada, como el armario o la biblioteca
- En una superficie desigual



#### ATENCIÓN

Instale la unidad en habitaciones superiores a 4 m<sup>2</sup>.

No instale la unidad en un lugar donde pueda haber fugas de gas inflamable.



#### NOTA

El fabricante puede proporcionar otro ejemplo apropiado o proporcionar información adicional sobre el olor del refrigerante.

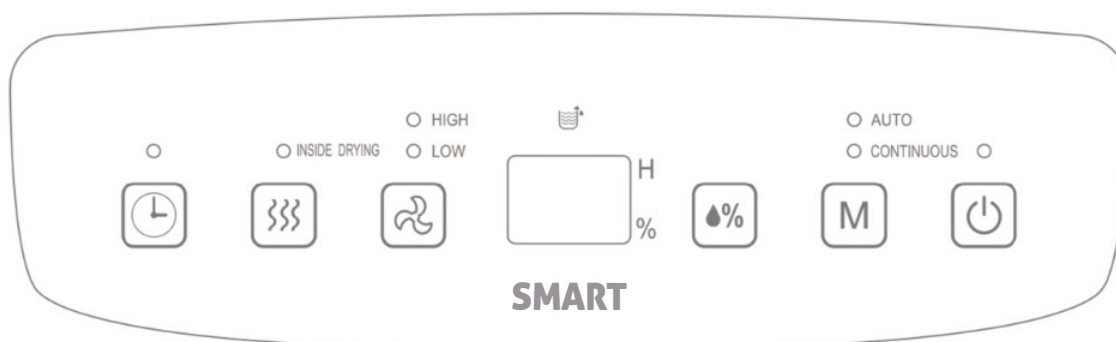
### B. USO SEGURO DEL DISPOSITIVO

- Después de desempacar, compruebe si hay daños o arañazos en la unidad.
- Utilice esta unidad a una temperatura ambiental entre 5 ° C y 35 ° C.
- No utilice el deshumidificador en el exterior. Este deshumidificador está diseñado únicamente para ser utilizado en espacios residenciales.
- No utilice el deshumidificador cerca de paredes, cortinas u otros objetos que puedan bloquear la entrada y evacuación del aire.
- Mantenga libres de obstáculos los orificios de admisión y evacuación del aire.
- Si se inclinó en un ángulo superior a 45°, deje que la unidad se ponga en posición vertical durante al menos 24 horas antes de arrancar.
- Mantenga las puertas y las ventanas cerradas para una mejor eficiencia del deshumidificador.

- No utilice ni almacene la unidad bajo la luz solar directa o bajo la lluvia.
- Es normal que la salida de aire se caliente después de un funcionamiento continuo en días cálidos.
- Vacíe el depósito de agua antes de mover el deshumidificador.
- Asegúrese de que el tanque de agua esté montado correctamente, de lo contrario la unidad no funciona adecuadamente.
- El deshumidificador arranca en el modo seleccionado durante el último uso.
- El deshumidificador comienza a deshumidificar el aire en la habitación si la humedad es 3% mayor que el valor seleccionado.
- El compresor está equipado con un sistema de protección que retrasa el arranque por 3 minutos. Por lo tanto, tendrá que esperar por 3 minutos para que el deshumidificador reanude el proceso de deshumidificación.

## 5. FUNCIONAMIENTO

### A. Panel de control



#### **BOTÓN DE ARRANQUE (POWER)**

En el modo de espera, pulse este botón para arrancar la unidad, el indicador correspondiente se encenderá, el ventilador funciona a una alta velocidad predeterminada y el nivel de humedad establecido es de 50%. En este modo de funcionamiento, pulse el mismo botón para apagar la unidad, el indicador correspondiente se apagará, el compresor se detendrá inmediatamente, y después el ventilador se detendrá con un retraso de 30 segundos.



#### **MODOS DE FUNCIONAMIENTO (MODE)**

**Modo automático - modo de funcionamiento de deshumidificación continua,** pulse una vez para cambiar de un modo a otro, y el indicador correspondiente se encenderá.

- **Modo automático:** En este modo, si la humedad de la habitación es superior al 5% de humedad, el compresor y el ventilador arrancarán. Si la humedad de la habitación es inferior a la humedad establecida en un 5%, el compresor se apagará y el ventilador funcionará de acuerdo con la configuración inicial y para leer la humedad del aire. El valor de humedad inicial es del 50%.
- **Modo de deshumidificación continua - función de secado de materiales textiles**

En este modo, la unidad funcionará independientemente de la humedad de la habitación. El compresor y el ventilador funcionarán, la velocidad del ventilador será ajustable.



#### **TEMPORIZADOR**

Pulse el botón del temporizador para ajustar esta función de 1 a 24 horas. El intervalo de ajuste es de 1 hora. Cada vez que pulse este botón, el valor aumenta con una hora y se muestra en la pantalla. Para cancelar la función temporizador, seleccione el valor "0". El indicador correspondiente a la función del temporizador se encenderá. Después de configurar la función del temporizador, el LED correspondiente seguirá encendido durante todo el periodo establecido. Una vez agotado el tiempo establecido, el LED correspondiente se apaga automáticamente.

En el modo de operación, ajuste la función del temporizador para apagar la unidad; En el modo de espera, ajuste la función temporizador para arrancar la unidad.



#### **AJUSTE DE LA HUMEDAD**

Pulse el botón correspondiente a la humedad para comprobar el nivel de humedad en la habitación, luego pulse este botón de nuevo y ajuste el nivel de humedad deseado. El intervalo de ajuste (paso a paso) es 80%-75%-65% ... 40%-35%-30%. Después de ajustar el nivel deseado, el sistema confirma el valor de entrada, luego la unidad sale del modo de ajuste y vuelve al nivel de la humedad actual. En el modo de deshumidificación, el nivel de humedad no se puede alterar.



#### **VELOCIDAD DEL VENTILADOR (SPEED)**

en el modo de deshumidificación automática (AUTO) y en el modo de secado (CONTINUO), presione esta tecla para cambiar el speed Fan: Low Speed / High Speed. Para que el aparato funcione correctamente, el ventilador funciona continuamente hasta que se detiene.



#### **FUNCIÓN DE SECADO INTERNO**

Presione la tecla SECADO INTERIOR para iniciar la función de secado interno antes de apagar la unidad. Esta característica evita la formación de moho dentro del dispositivo debido a la humedad restante después de que se haya detenido.





## PANTALLA

En el modo de deshumidificación automática (AUTO) o en el modo de secado de textiles (CONTINUO), indicará la humedad real de la habitación, la humedad establecida, y en el modo TEMPORIZADOR indicará la hora establecida en horas.



## ALARMA DE TANQUE DE AGUA

- **Indicador tanque de agua**

Cuando el tanque de agua está lleno (el indicador del nivel de agua en el depósito se puede ver visualmente en cualquier momento), hasta que se drene, la unidad dejará de funcionar bajo la acción del flotador en el tanque, sonará un pitido brevemente 10 veces, y se mostrarán el mensaje "FL" y el LED rojo del tanque lleno. Retire el tanque de agua del dispositivo y vacíelo del agua. Vuelva a instalar el tanque de drenaje de agua y el deshumidificador se reiniciará.

- **Apagar la alarma**

Cuando la alarma esté encendida, pulse cualquier botón para apagarla. El compresor y el ventilador se apagan, al igual que las otras funciones activas, hasta que el tanque de agua se vacía y se reinstala en la posición correcta.

## B. Drenaje

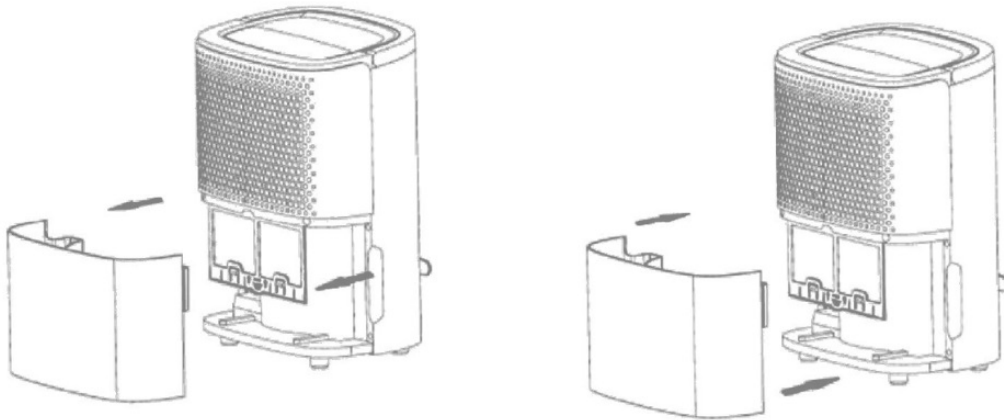
Hay dos formas de eliminar el agua recogida producida por la unidad.

1. Drenaje manual: El depósito de agua, retirado y vaciado manualmente.
2. Drenaje continuo: Fijar al dispositivo una manguera de drenaje gravitacional del agua que resulte de la condensación.

## C.. Vaciar el tanque

El dispositivo se detendrá tan pronto como el tanque se llene de agua. El deshumidificador volverá a arrancar sólo después de vaciar el tanque de agua y volver a instalarlo correctamente. Cuando el tanque está lleno, el dispositivo emite un sonido acústico, y el indicador LED "Lleno de agua" (Tanque lleno) se encenderá.

- Pulse el botón PODER para apagar la unidad.
- Tire del tanque de agua y éste saldrá del cuerpo del deshumidificador.
- Vacíe el agua del tanque.
- Limpie el interior del tanque, si es necesario, así como el exterior.
- Vuelva a insertar el tanque vacío en la unidad.
- Pulse el botón PODER para reanudar el funcionamiento del dispositivo.
- Si el indicador correspondiente al tanque lleno sigue encendido, compruebe si el flotador del tanque está en la posición correcta y no está bloqueado en otra posición



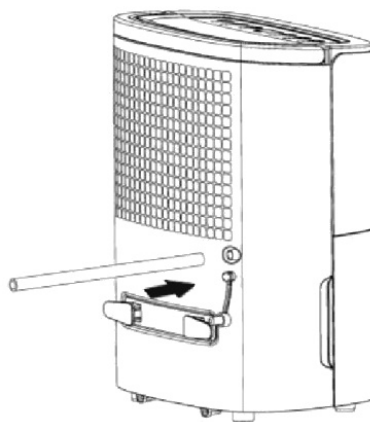
#### D. Drenaje continuo

Para un funcionamiento continuo o deshumidificación desatendida, conecte la manguera de drenaje a la unidad. El agua condensada se drenará libremente, gravitacionalmente, en un cubo o en un drenaje. Retire el tapón de goma conectado al conector de drenaje continuo de la parte posterior del dispositivo antes de conectar la manguera. Retire el tanque de agua y asegúrelo con el tapón de goma quitado, el orificio en la parte frontal del dispositivo, que normalmente drena el agua en el tanque, por lo que el agua se dirige a descargar a través de la parte trasera a la que se conecta la manguera de drenaje. Conecte una manguera de drenaje de agua (incluida en el paquete) a la parte posterior del dispositivo (diámetro interior del conector: 9 mm), el agua se puede drenar continuamente. Comprobar que el

La manguera está correctamente conectada al orificio de drenaje para evitar fugas de agua accidentales.

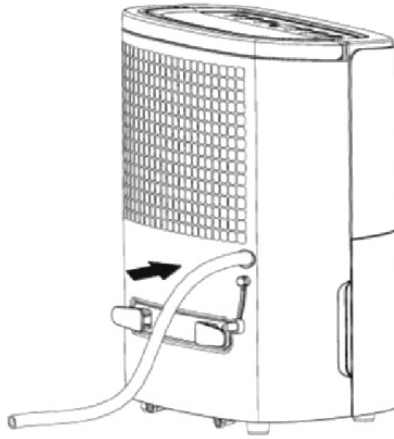
- Coloque la unidad sobre una superficie horizontal y estable.
- Apague la unidad antes de drenar el agua

Retire el orificio de drenaje del agua y guárdelo en un lugar seguro.



Orificio de drenaje continuo

- Conecte la manguera de drenaje correctamente y asegúrese de que no esté obstruida.
- Inserte el borde de evacuación de la manguera en un drenaje o cubo y asegúrese de que el agua pueda fluir libremente de la unidad.
- No sumerja el borde de la manguera en agua, por lo que puede causar "bloqueo del aire" en la manguera.



**Para evitar fugas de agua:**

- Dado que la presión negativa del recipiente de drenaje del agua condensado es alta, incline la manguera de drenaje, abajo, hacia el suelo. Es necesario que el ángulo de inclinación supere 20°.
- Enderece la manguera para evitar doblarla.

**R. Función anticongelante**

Esta función se activará cuando la temperatura ambiente sea inferior a 16 °C. La pantalla mostrará „P1“. Se activará durante un período de 8 minutos cada 38 minutos entre 2-12 °C. También se activará durante un período de 5 minutos cada 60 minutos entre 12-16 °C.

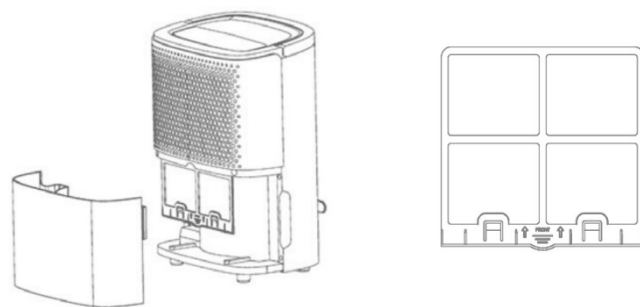
**6. MANTENIMIENTO**

**LIMPIAR EL FILTRO DE AIRE**

Limpiar el filtro al menos una vez cada dos semanas o cuando sea necesario. Las impurezas acumuladas en un filtro sin limpiar pueden ser absorbidas por el ventilador mediante la fijación en el vaporizador, en el condensar y en otros componentes dentro de la unidad, lo que conduce a una disminución en el rendimiento y la ocurrencia de diversas fallas que no son, en este caso, no se sujetan a la garantía.

Si se encuentran depósitos de impurezas dentro de la unidad, póngase en contacto con el servicio autorizado más cercano para una limpieza profesional. No realice operaciones de limpieza interna (excepto limpiar y lavar el filtro lavable) salvo en presencia de personal especializado.

a) Quite la rejilla del filtro y quite el filtro.



b) Utilice una aspiradora para eliminar suavemente el polvo de la superficie del filtro. Si el filtro está muy sucio, lávelo con agua y detergente y séquelo bien después. Limpie la superficie del aparato con un paño húmedo. No utilice productos ni esponjas abrasivas.

c) Reemplace el filtro en su lugar detrás del dispositivo.

## 7. SOLUCIONAR LOS PROBLEMAS

### A. TEMPERATURA DE FUNCIONAMIENTO

**5°C ≤ Temp. ambiental ≤ 35°C** Cuando la temperatura ambiental es menor o superior a la temperatura de funcionamiento, el deshumidificador se apaga.

**Cuando 5°C ≤ Temp. ambiental. ≤ 16°C**, el compresor se descongela automáticamente a ciertos intervalos; durante la descongelación, el compresor se apaga y el ventilador sigue funcionando.

### B. ANTES DE SOLICITAR EL SERVICIO

Antes de ponerse en contacto con el centro de servicio, consulte la lista de posibles problemas que pueden producirse durante el funcionamiento de la unidad y que no son el resultado de un defecto de labor manual o de los materiales utilizados.

Problema	Causas posibles	Solución
El dispositivo no funciona	NO hay poder	Conecte el dispositivo a una toma de corriente y enciéndalo
	El indicador "Water Full" (Tanque lleno) está encendido	Vacíe el tanque de agua y reemplácelo en el lugar correcto.
	El depósito de agua está lleno.	
	Temperatura de la habitación	Sistema de protección instalado para proteger la unidad. La unidad no puede

	<5°C or >35°C	funcionar a este tipo de temperatura.
Funcionamiento defectuoso	Está bloqueado el filtro de aire?	Limpie el filtro de aire como se explica en este manual
	Está bloqueado el orificio de entrada o de evacuación?	Retire cualquier cosa que obstruya el orificio de entrada o de evacuación.
El orificio de entrada de aire no permite que el aire pase	Está bloqueado el filtro?	Lave el filtro
La unidad hace ruidos durante el funcionamiento	La unidad está colocada sobre una superficie horizontal y plana?	Coloque la unidad apropiada
	Está bloqueado el filtro?	Lave el filtro
La humidificación es insuficiente.	La temperatura ambiente o la humedad del aire son demasiado bajas.	En entornos secos la potencia es menor.
	La entrada o salida de aire está bloqueada.	Retire aquello que las obstruya.
No sale aire por la salida de aire.	El filtro está sucio.	Limpie el filtro.
Fuga de agua.	El conducto de desagüe no está conectado correctamente.	Asegúrese de que el conducto está bien conectado.
	El conducto está bloqueado.	Limpie el conducto.

## 8. ELIMINACIÓN

### A. ALMACENAMIENTO DE LA UNIDAD

Almacenamiento a largo plazo - Si no va a utilizar la unidad durante mucho tiempo (más de unas semanas), le recomendamos que la limpie y seque por completo. Guarde la unidad siguiendo estos pasos:

- a) Pulse el botón de alimentación para apagar la unidad y desconectarla de la toma de corriente.
- b) Escurra el agua restante en la unidad
- c) Limpie el filtro y déjelo secar completamente en una zona sin luz.
- d) Envuelva el cable de alimentación.

- e) Vuelva a instalar el filtro en la posición correcta.
- f) La unidad debe mantenerse en posición vertical cuando se almacena.
- g) Mantenga el deshumidificador en una habitación ventilada, seca, sin combustibles.

**ATENCIÓN:** El evaporador dentro del deshumidificador debe secarse antes de su embalaje para evitar dañar los componentes y la apariencia de moho. Desconecte la unidad y colóquela en un espacio abierto y seco durante días para que se seque a fondo. Otra forma de secar la unidad es ajustar el nivel de humedad a 5% por encima de la humedad ambiental, para forzar el ventilador a secar el evaporador durante varias horas.

## B. ELIMINACIÓN



**ADVERTENCIA!** Está estrictamente prohibido dejar que el refrigerante emane en la atmósfera!

Si el aparato lleva adherida la ilustración de la izquierda (el contenedor de basura tachado) entonces rige la normativa europea, directiva 2012/19/UE.. No deseche los dispositivos eléctricos como residuos municipales no clasificados, y utilice los espacios de recogida separados. Póngase en contacto con su administración local para obtener información sobre los sistemas de recolección disponibles en la zona. Si los dispositivos eléctricos se descartan junto con la basura doméstica, las sustancias peligrosas pueden infiltrarse en las aguas subterráneas y pueden llegar en la cadena alimenticia, dañando la salud y el bienestar de las personas.

# FR: TABLE DES MATIÈRES

1.	NOTIONS PRELIMINAIRES	81
2.	PRÉCAUTIONS DE SÉCURITÉ CONCERNANT LES RÉPARATIONS	83
3.	PRESENTATION DU PRODUIT	90
4.	INSTALLATION	91
5.	FONCTIONNEMENT	93
6.	ENTRETIEN	97
7.	DÉPANNAGE	98
8.	ELIMINATION	99

Merci d'avoir choisi notre déshumidificateur.

Assurez-vous à lire attentivement ce manuel avant d'utiliser le déshumidificateur

*Veillez conserver ce manuel avec soin pour future référence!*

# 1. NOTIONS PRELIMINAIRES

**Nous vous prions lire attentivement les instructions d'utilisation avant de démarrer le déshumidificateur pour la première fois.**

## A. DESCRIPTION DU PRODUIT

Le déshumidificateur est utilisé pour éliminer l'excès d'humidité de l'air. L'abaissement du niveau d'humidité protège les bâtiments et les objets se trouvant à l'intérieur des effets néfastes de l'humidité.

L'impédance de l'unité ne doit pas dépasser 0.236 ohm. Le non-respect de ces dispositions peut conduire à l'institution de restrictions par les autorités de fourniture de l'énergie électrique. Consulter les autorités locales de fourniture de l'énergie électrique si l'impédance électrique dépasse 0.236 ohm.

Le produit R290 est écologique et utilisé comme réfrigérant. Le R290 n'a pas d'influence négative sur la couche d'ozone (ODP) ou effet de serre (GWP) et il est disponible au niveau mondial. En raison de ses propriétés énergétiques efficaces, le R290 convient très bien comme agent de refroidissement dans cette situation. Cependant, des précautions spéciales doivent être prises en compte en raison du niveau élevé d'inflammabilité du réfrigérant.

## B. SYMBOLES UTILISÉS SUR L'UNITÉ ET DANS LE MANUEL



### AVERTISSEMENT

Cet appareil utilise du réfrigérant.

Si le réfrigérant fuit et entre en contact avec une source de flamme ou de chaleur, il va créer des gaz nocifs et il y a un risque d'incendie.



Lisez attentivement le manuel d'instructions avant d'utilisation.



Des informations complémentaires sont disponibles dans le MANUEL D'UTILISATEUR et le MANUEL DE SERVICE.



Avant de mettre en service l'appareil, les personnes chargées des opérations de maintenance doivent lire attentivement le MANUEL D'UTILISATEUR et le MANUEL DE MAINTENANCE.

## C. DONNEZ TOUT LE TEMPS L'ATTENTION AUX INFORMATIONS CI-DESSOUS



- Toute personne qui est impliquée dans des interventions avec un agent frigorifique ou dans un circuit de refroidissement doit détenir un certificat valide délivré par une autorité d'évaluation agréée dans le domaine qui a la compétence d'assermenter le traitement dans des conditions de sécurité des agents frigorifiques, en conformité avec les dispositions d'évaluation reconnues dans le domaine.
- Prendre en considération la protection de l'environnement lorsque vous éliminez l'emballage de l'unité et l'unité proprement dite à la fin de sa vie utile.
- L'appareil doit être stocké dans une zone bien ventilée, où la dimension de la chambre est correspondante aux dispositions de fonctionnement.
- L'appareil doit être stocké dans une position correcte afin de ne pas produire des dommages de nature économique.
- Données concernant les espaces où les conduits d'agent frigorifique sont permis :
  - l'installation des conduits doit être maintenue au maximum ;
  - les conduits doivent être protégés face aux dommages physiques, et, au cas des agents frigorifiques inflammables, doivent être installés dans un espace bien aéré ;
  - le respect des normes nationales portant sur le gaz ;
  - les connexions mécaniques doivent être accessibles pour la maintenance ;
  - au cas des unités qui contiennent des agents frigorifiques inflammables, la surface minimale de la chambre doit être mentionnée sous la forme d'un tableau ou d'une seule figure sans renvoi à une formule;
- Les bouches de ventilation doivent être gardées libres.
- Toute intervention portant sur la maintenance sera effectuée seulement en respectant les dispositions du fabricant ;
- Les conduits connectés à un appareil ne doivent pas contenir une source potentielle de feu ;
- Lorsque l'appareil de climatisation portable ou le déshumidificateur est en marche, le ventilateur peut fonctionner en permanence dans des conditions normales pour assurer le volume minimal d'air de 80 m<sup>3</sup>/h, même lorsque le compresseur est fermé grâce au régulateur de température.
- Ne pas poinçonner ou ne pas brûler..
- N'utiliser que le matériel recommandé par le fabricant pour la décongélation ou le nettoyage
- Ne poinçonner aucune composante du circuit d'agent frigorifique. Le gaz de refroidissement peut être inodore.
- Stocker soigneusement l'appareil afin de prévenir les défauts mécaniques.
- Seulement les personnes assermentées par une agence accréditée qui leur certifie les compétences peuvent manipuler des agents frigorifiques en conformité avec les lois locales.
- Toutes les réparations doivent être effectuées en conformité avec les dispositions du fabricant.

- La maintenance et les réparations qui nécessitent l'assistance d'un personnel qualifié doivent être effectuées sous la surveillance des spécialistes dans l'utilisation des agents frigorifiques inflammables.

- Ne pointer aucune composante du circuit avec un agent frigorifique. L'agent frigorifique peut être inodore.

Avertissements supplémentaires au cas de l'unité qui utilise l'agent frigorifique R290 (consulter la plaque avec les données techniques pour le type d'agent frigorifique utilisé).



RISQUE D'INCENDIE!

Lire attentivement le guide avant l'utilisation de l'appareil

L'agent frigorifique R290 respecte les directives européennes portant sur la protection de l'environnement.

Turbinaire Smart 8 Eco/ Smart 10 Eco contient environ 40g d'agent frigorifique R290.

Turbinaire Smart 12 Eco contient environ 55g d'agent frigorifique R290.

Turbinaire Smart 14 Eco contient environ 52g d'agent frigorifique R290.

Turbinaire Smart 16M contient environ 62g d'agent frigorifique R290.

L'unité doit être installée, utilisée et stockée dans une chambre avec des dimensions plus grandes de 4 m<sup>2</sup>.

LA DÉFAILLANCE DES INSTRUCTIONS DE SÉCURITÉ PEUT AUGMENTER LE RISQUE D'EXPLOSION, DE MORT, DE BLESSURES ET DE DOMMAGES MATÉRIELS.

## 2. PRÉCAUTIONS DE SÉCURITÉ CONCERNANT LES RÉPARATIONS

**Votre sécurité est la chose la plus importante pour nous!**



Veillez lire attentivement ce manuel avant d'utiliser le déshumidificateur.



Toute personne travaillant sur un circuit de réfrigération doit détenir un certificat valide délivré par une autorité d'évaluation accréditée, attestant de sa

compétence pour manipuler les réfrigérants en toute sécurité, conformément aux spécifications reconnues dans l'industrie concerné.



Les réparations de l'installation doivent être effectuées conformément aux recommandations du fabricant. L'entretien et les réparations nécessitent l'assistance d'un personnel qualifié et ils sont effectués sous la supervision d'une personne compétente dans l'utilisation de réfrigérants inflammables.

Si vous rencontrez des problèmes que vous ne comprenez pas ou si vous avez besoin d'aide, veuillez contacter les services du revendeur agréé.

Instructions portant sur les réparations pour les unités qui contiennent R290

#### **1. Vérification de la zone de travail**

Avant de commencer les travaux aux systèmes qui contiennent des agents frigorigènes inflammables, il faut faire des vérifications de sécurité pour réduire le risque de l'apparition des incendies. Pour réparer le système de refroidissement il faut respecter les mesures préventives suivantes avant de réaliser les travaux au système.

#### **2. Procédure de travail**

Les travaux s'effectuent selon une procédure contrôlée, afin de réduire au minimum le risque de fuites de gaz inflammable ou de vapeurs durant les procédures de travail.

#### **3. Zone de travail générale**

Tout le personnel qui s'occupe de la maintenance et les autres qui travaillent dans des lieux adjacents doivent être formés en ce qui concerne la nature du travail déroulé. Les travaux dans des espaces clos doivent être évités. La zone autour de l'espace de travail sera délimitée. S'assurer que dans la zone de travail les conditions de sécurité sont respectées par le contrôle du matériel inflammable.

#### **4. Vérification de la présence de l'agent frigorigène**

La zone sera vérifiée avec un détecteur d'agent frigorigène adéquat avant et durant les travaux, pour s'assurer que le technicien a connaissance de l'atmosphère potentiellement inflammable. S'assurer que le matériel de détection de fuites utilisé est adéquat au cas de l'apparition des agents frigorigènes inflammables, c'est-à-dire il est résistant aux étincelles, avec protection appropriée ou étanche.

#### **5. La présence de l'extincteur**

Au cas où il faut réaliser des travaux à chaud dans l'installation de réfrigération ou à toute pièce associée, il faut avoir un équipement adéquat pour éteindre le feu. S'assurer de l'existence d'une poussière sèche ou d'un extincteur au CO<sub>2</sub>, adjacent à la zone de travail.

#### **6. Sans sources de flamme nue**

Aucune personne qui réalise des travaux dans l'installation de réfrigération qui impose l'exposition directe à l'agent frigorigène inflammable n'utilisera une source de flamme nue, et ainsi le risque incendie ou d'explosion augmente fortement. Toutes les sources d'allumage, y compris les cigarettes, devraient être tenues assez loin du lieu d'installation, de réparation, d'éloignement et d'élimination, procédures durant lesquelles l'agent frigorigène inflammable pourrait être lâché aux alentours. Avant de commencer les travaux

à une telle installation, la zone avoisinante doit être surveillée pour s'assurer qu'il n'y a pas de risque d'allumage. En outre, il faut afficher le message « Défense de fumer ».

### **7. Zone aérée**

S'assurer que la zone est ouverte ou bien aérée avant de commencer les travaux à l'installation de refroidissement ou d'effectuer tout travail à chaud. Il est nécessaire d'utiliser un ventilateur durant les travaux. On devrait disperser en toute sécurité, par ventilation, tout agent de refroidissement lâché et, de préférence, l'expulser à l'extérieur.

### **8. Vérifications à l'équipement de réfrigération**

Au cas où les composantes électriques sont remplacées, celles-ci doivent correspondre aux dispositions techniques. Respecter exactement les dispositions du fabricant portant sur la maintenance et les réparations. S'il y a des doutes, consulter le service technique du fabricant pour l'assistance.

Les vérifications suivantes s'appliquent aux installations qui utilisent des agents frigorifiques inflammables :

- la quantité du chargement est conforme à la dimension de la chambre où les composantes qui contiennent un agent frigorifique sont installées ;
- les ventilateurs et les orifices d'évacuation de l'air fonctionnent d'une manière appropriée et ne sont pas obturés ;
- s'il y a un circuit indirecte de refroidissement, le circuit secondaire doit être vérifié en ce qui concerne la présence de l'agent frigorifique ;
- Le marquage du matériel doit être visible. Les signes et les symboles qui sont illisibles seront corrigés ;
- Les tuyaux ou les composantes frigorifiques sont montés dans une position où il est peu probable qu'ils soient exposés à une substance qui peut corroder les composantes qui contiennent un agent frigorifique, sauf le cas où les composantes sont produites en matériaux résistants à la corrosion ou protégés d'une manière appropriée contre la corrosion.

### **9. Vérification des dispositifs électriques**

La maintenance et l'entretien des composantes électriques doivent inclure des vérifications initiales de sécurité et des procédures d'inspection des composantes. S'il y a un défaut qui pourrait compromettre la sécurité, alors le circuit ne doit être connecté à aucune source d'alimentation avant que le défaut soit réparé d'une manière appropriée. Si le défaut ne peut pas être corrigé immédiatement, mais il est nécessaire de continuer le fonctionnement, il faut utiliser une solution temporaire adéquate. Ce fait doit être rapporté au propriétaire du matériel, et toutes les parties doivent être notifiées. Les vérifications initiales de sécurité se déroulent au cas où :

- les condensateurs sont déchargés : ce fait est réalisé d'une manière sécuritaire pour éviter l'apparition des étincelles ;
- les composantes électriques et les câbles électriques ne sont pas exposés durant le chargement, le reconditionnement ou la purge de l'installation ;
- il y a une continuité de liaison à la terre.

### **10. Réparation des composantes étanches**

Durant les réparations des composantes étanches toutes les sources d'énergie électrique doivent être déconnectées de l'équipement où il faut intervenir, avant tout éloignement des couvercles étanches etc. Si l'alimentation en énergie électrique de l'équipement durant la réparation est absolument nécessaire, alors il faut tenir compte d'un système continu de détection des fuites dans le point le plus critique afin d'avertir au cas d'une situation potentiellement dangereuse.

Il faut accorder une attention particulière aux aspects suivants pour s'assurer que, durant les travaux aux composantes électriques, la carcasse n'est pas modifiée pour changer le niveau de protection. Ils incluent les dommages aux câbles, le nombre excessif de connexions, les terminaux qui ne sont pas conformes aux spécifications initiales, la dégradation des sceaux, le montage incorrect des joints d'étanchéité etc.

S'assurer que l'appareil est assemblé d'une manière sécuritaire. S'assurer que les sceaux ou les matériaux d'étanchéité ne se sont pas dégradés d'une telle manière pour servir au but d'empêcher l'introduction des gaz inflammables. Les pièces de rechange doivent être conformes aux dispositions du fabricant.

#### **11. Réparations apportées aux composantes à sécurité intrinsèque**

Ne pas utiliser des charges permanentes inductives ou capacitives dans le circuit sans s'assurer de ne pas dépasser la tension et le courant admis permis pour le matériel utilisé.

Les composantes à sécurité intrinsèque sont les seuls types sur lesquels on peut travailler en présence d'une atmosphère inflammable. L'appareil d'essai doit être évalué correctement.

Ne remplacer les composantes qu'avec les pièces spécifiées par le fabricant. Autres composantes peuvent conduire à l'allumage de l'agent frigorifique dans l'atmosphère suite à une fuite.

#### **12. Câbles**

Vérifier si les câbles ne sont pas soumis à l'usure, la corrosion, la pression excessive, les vibrations, les arêtes coupantes ou à d'autres effets adverses sur l'environnement. En même temps, la vérification doit prendre en considération les effets des dommages au fil du temps ou des vibrations continues des sources comme les compresseurs ou les ventilateurs.

#### **13. Détection des agents frigorifiques inflammables**

Il ne faut aucunement utiliser des sources potentielles d'allumage pour rechercher ou détecter des fuites d'agent frigorifique. Ne pas utiliser une lampe torche halogène (ou tout autre détecteur qui utilise une flamme nue).

#### **14. Elimination ou évacuation**

Pour l'intervention dans le circuit de l'agent frigorifique pour des réparations - ou pour tout autre but - on utilisera des procédures conventionnelles. Mais, au cas des agents frigorifiques, il est important de respecter les meilleures pratiques parce qu'il y a des risques élevés d'incendie. Respecter la procédure suivante :

- Faire sortir l'agent frigorifique ;
- Purger le circuit au gaz inerte ;
- Evacuer ;
- Purger de nouveau le circuit au gaz inerte ;
- Ouvrir le circuit par découpage ou brasage.

La quantité d'agent frigorifique est récupérée dans les cylindres de récupération appropriés. Pour les unités qui contiennent des agents frigorifiques, le système doit être purgé par OFN pour protéger l'unité. Il est possible que ce processus soit répété plusieurs fois. Ne pas utiliser de l'air comprimé ou de l'oxygène pour cette procédure. Le lavage est réalisé par l'introduction forcée d'OFN (azote sans oxygène) dans le système jusqu'à l'atteinte de la pression de travail, suivi par l'aérage dans l'atmosphère et, finalement, par l'aspiration. Ce processus se répète jusqu'à ce que dans le système il ne reste plus d'agent frigorifique. Lorsqu'on utilise la quantité finale d'OFN, le système doit être ventilé à la pression atmosphérique pour permettre la réalisation des travaux. Cette étape est absolument vitale s'il faut dérouler les opérations de brasage sur les conduits. S'assurer que la prise pour la pompe à vide ne se trouve pas près des sources de flamme nue et qu'il y a une ventilation disponible.

### **15. Procédures de remplissage**

A part les procédures conventionnelles de remplissage, il faut respecter les dispositions suivantes :

- S'assurer qu'on ne produit pas la contamination des agents frigorifiques différents lorsqu'on utilise des appareillages de remplissage. Les tuyaux doivent être les plus courts possibles pour minimiser la quantité d'agent frigorifique contenu par ceux-ci.
- Les cylindres doivent être maintenus dans une position verticale.
- S'assurer que le système de refroidissement est lié à la terre avant le remplissage du système avec un agent frigorifique.
- Apposer une étiquette sur le système après le remplissage avec un agent frigorifique (au cas où il n'y a pas déjà une étiquette).
- Ne pas surcharger le système de refroidissement.

Avant le remplissage du système, faire un essai à l'OFN. Le système doit être vérifié aux fuites à l'achèvement de la procédure de remplissage, mais avant la mise en fonction de l'unité. Après la procédure de remplissage, effectuer un essai de détection de fuite.

### **16. Désaffectation**

Avant d'effectuer cette procédure il est essentiel que le technicien soit complètement mis à jour avec l'équipement et ses composantes. On recommande que tous les agents frigorifiques soient récupérés en sécurité. Avant de réaliser cette procédure, on prend une éprouvette d'huile et d'agent frigorifique, au cas où une analyse est nécessaire avant la réutilisation de l'agent frigorifique régénéré. Il est essentiel que l'alimentation en énergie électrique soit disponible avant le démarrage de la procédure.

- a. Se familiariser avec l'équipement et son fonctionnement.
- b. Faire isoler le système du point de vue électrique.
- c. Avant le déroulement de la procédure, s'assurer que :
- d. Un équipement de manœuvre mécanique est disponible, s'il est nécessaire pour la manœuvre des cylindres à agent de refroidissement ;
- e. Tous les équipements de protection individuelle sont disponibles et utilisés correctement ;
- f. le processus de récupération est surveillé en permanence par une personne qualifiée ;

- g. Le matériel de récupération et les cylindres sont conformes aux standards correspondants.
- h. S'il est possible, vidanger le système de refroidissement.
- i. Si l'aspiration n'est pas possible, utiliser un collecteur pour que l'agent frigorifique puisse être enlevé des différentes parties du système.
- j. S'assurer que le cylindre est situé sur la verticale avant la récupération.
- k. Démarrer l'équipement de récupération et l'utiliser en conformité avec les dispositions du producteur.
- l. Ne pas remplir les cylindres. (Il ne faut pas dépasser 80% de la quantité de liquide).
- m. Ne pas dépasser la pression maximale de travail du cylindre, même si temporairement.
- n. Lorsque les cylindres ont été remplis correctement et le processus a été finalisé, s'assurer que ceux-ci et l'équipement sont éloignés rapidement de la zone de travail et que les soupapes d'isolation de l'équipement sont fermées.
- o. L'agent frigorifique récupéré ne doit être rempli dans un autre système de refroidissement que s'il a été nettoyé et vérifié.

### **17. Etiquetage**

L'équipement doit être étiqueté avec la mention qu'il a été démonté et vidangé de l'agent frigorifique. L'étiquette doit être datée et signée. S'assurer que sur l'équipement il y a des étiquettes qui attestent que l'équipement contient un agent frigorifique inflammable.

### **18. Récupération**

Lorsque vous déroulez la procédure de vidange de l'agent frigorifique d'un système, soit pour la maintenance, soit pour la désaffectation, on recommande que tous les agents frigorifiques soient éliminés en sécurité. Lorsque vous transférez l'agent frigorifique dans les cylindres, s'assurer qu'on utilise seulement des cylindres de récupération pour l'agent frigorifique. S'assurer que le nombre correct de cylindres pour la reprise de la quantité totale de réfrigérant du système est disponible. Tous les cylindres qui seront utilisés sont destinés à l'agent frigorifique récupéré et étiquetés pour ledit agent frigorifique (c'est-à-dire les cylindres spéciaux pour la récupération de l'agent frigorifique). Les cylindres doivent être munis d'une soupape de pression et des soupapes de fermeture associées, en bon état de fonctionnement. Les cylindres de récupération vidangés sont évacués et, s'il est possible, refroidis avant la récupération.

L'équipement de récupération doit être en bon état de fonctionnement, muni d'un jeu de dispositions sur l'équipement disponible et aussi il doit être adéquat pour la procédure de récupération des agents frigorifiques inflammables. En plus, un jeu de balances calibrées doit être disponible et en bon état de fonctionnement. Les tuyaux doivent être munis de mécanismes de connexion sans fuites et en bon état. Avant d'utiliser l'équipement de récupération, vérifier s'il se trouve en bon état de fonctionnement, a été entretenu d'une manière appropriée et si toutes les composantes électriques y associées sont étanches afin de prévenir l'allumage au cas de fuite d'agent de refroidissement. En cas de doutes consulter le fabricant. L'agent frigorifique récupéré sera retourné d'une manière appropriée au fournisseur d'agent frigorifique dans le cylindre de récupération et on préparera la Note portant sur le Transfert des Déchets. Ne pas mélanger les agents de refroidissement dans les unités de récupération et, en particulier, il ne faut pas les mélanger dans les cylindres.

S'il faut enlever les compresseurs ou les huiles des compresseurs, s'assurer qu'elles ont été évacuées à un niveau acceptable pour s'assurer que l'agent frigorigère ne reste pas dans le lubrifiant. Le processus d'évacuation doit être réalisé avant le retour du compresseur aux fournisseurs. N'utiliser que le chauffage électrique du corps du compresseur pour accélérer ce processus. Lorsque l'huile est vidangée d'un système, celui-ci doit être réalisé en conditions de sécurité.

Les contrôles suivants s'appliquent aux installations utilisant des réfrigérants inflammables:

- La taille de la charge est fonction de la taille de la chambre dans laquelle sont installés les composants contenant le réfrigérant;
- Les appareils de ventilation et les événements fonctionnent correctement et ne sont pas obstrués;
- Si un circuit de réfrigération indirect est utilisé, le circuit secondaire doit être vérifié pour la présence de réfrigérant;
- Les marques de l'équipement de travail seront visibles et lisibles. Toute marque et tout signe illisibles seront corrigés;
- L'installation de réfrigérant ou ses composants sont placés de telle sorte qu'ils ne puissent être exposés à aucune substance corrosive, à moins que les composants ne soient construits avec des matériaux intrinsèquement résistants à la corrosion ou protégés de manière adéquate.

ii. Contrôle des appareils électriques

La réparation et l'entretien des composants électriques doivent inclure des contrôles de sécurité initiaux et des procédures d'inspection des composants. En cas de défaut pouvant compromettre la sécurité, l'appareil ne sera pas branché à l'alimentation tant que le défaut n'aura pas été résolu de manière satisfaisante. Si le défaut ne peut pas être corrigé immédiatement, mais qu'il est nécessaire de continuer le fonctionnement, il sera utilisé une solution temporaire appropriée. Ceci est signalé au propriétaire de l'équipement, de sorte que toutes les parties soient conscientes de cette situation.

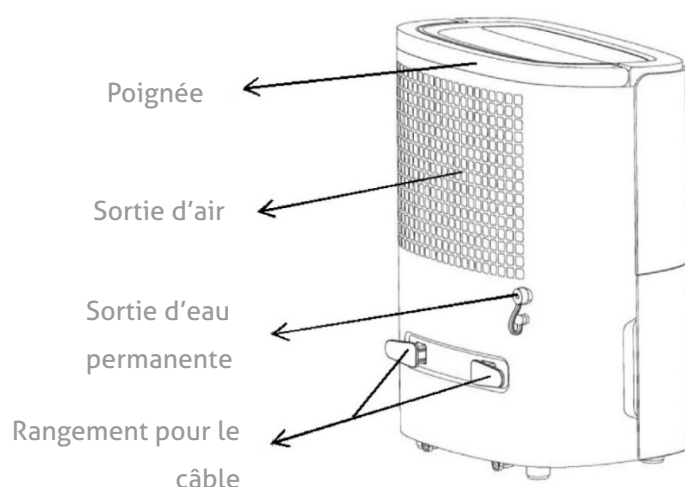
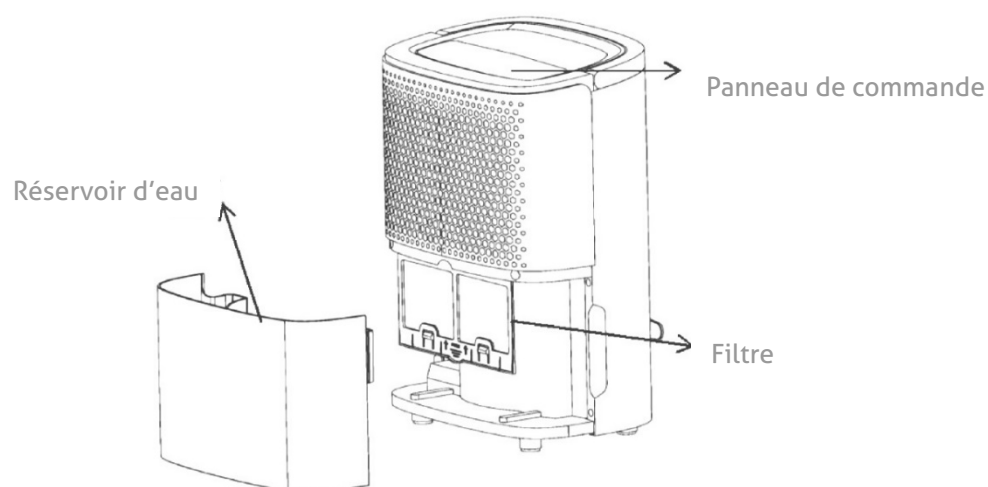
**Les contrôles de sécurité initiaux sont effectués lorsque:**

- les condensateurs sont déchargés: ceci doit être fait en toute sécurité pour éviter la formation d'étincelles;
- les composants électriques et les câbles ne sont pas sous tension, même pendant le chargement, la récupération ou la purge du système;
- il y a une continuité de la connexion à la terre.



### 3. PRESENTATION DU PRODUIT

#### A. VUE AVANT ET ARRIÈRE



#### B. CARACTÉRISTIQUES

- Powerful Élimination efficace de l'humidité
- Surveillance et affiche l'humidité actuelle dans l'air
- Le mode automatique ajuste automatiquement le niveau d'humidité
- Timer avec l'intervalle de 24 heures pour régler le temps de fonctionnement
- Il élimine efficacement l'humidité et la poussière de l'air
- Consommation faible d'énergie, efficacité énergétique
- Le ventilateur est silencieux, à deux vitesses
- Dégivrage automatique en cas de fonctionnement à basse température
- Arrêt automatique/redémarrage automatique
- Contrôle électronique
- Fonction de séchage du linge
- Mode de drainage continu
- Réservoir d'eau de 2l

## C. SPÉCIFICATIONS TECHNIQUES

MODEL	SMART 8 eco	SMART 10 eco	SMART 12 eco
Déshumidification Capacité	8L/jour (30°C, 80%)	10L/jor (30°C, 80%)	12L/jour (30°C, 80%)
Source de courant	AC220-240V/50Hz	AC220-240V/50Hz	AC220-240V/50Hz
Puissance Consommation	200W/1.1A	200W/1.1A	200W/1.1A
Bruit	≤40dB(A)	≤40dB(A)	≤40dB(A)
Capacité du réservoir deau	1.8L	1.8L	1.8L
Max. Charge de réfrigérant	R290/40g	R290/40g	R290/55g
Poids net	10kg	10kg	10.5kg
Taille minimale de la pièce	4 m <sup>2</sup>	4 m <sup>2</sup>	4 m <sup>2</sup>
Dimension	296x416x217 mm	296x416x217 mm	296x416x217 mm
MODEL	SMART 14 eco	SMART 16M	
Déshumidification Capacité	14L/jour (30°C, 80%)	16L/jour (30°C, 80%)	
Source de courant	AC220-240V/50Hz	AC220-240V/50Hz	
Puissance Consommation	250W/1.4A	250W/ 1.4A	
Bruit	≤40dB(A)	≤43 dB(A)	
Capacité du réservoir deau	1.8L	1.8L	
Max. Charge de réfrigérant	R290/52g	R290/62g	
Poids net	10.5 kg	11.5 kg	
Taille minimale de la pièce	4 m <sup>2</sup>	4 m <sup>2</sup>	
Dimension	296x416x217 mm	296x416x217 mm	

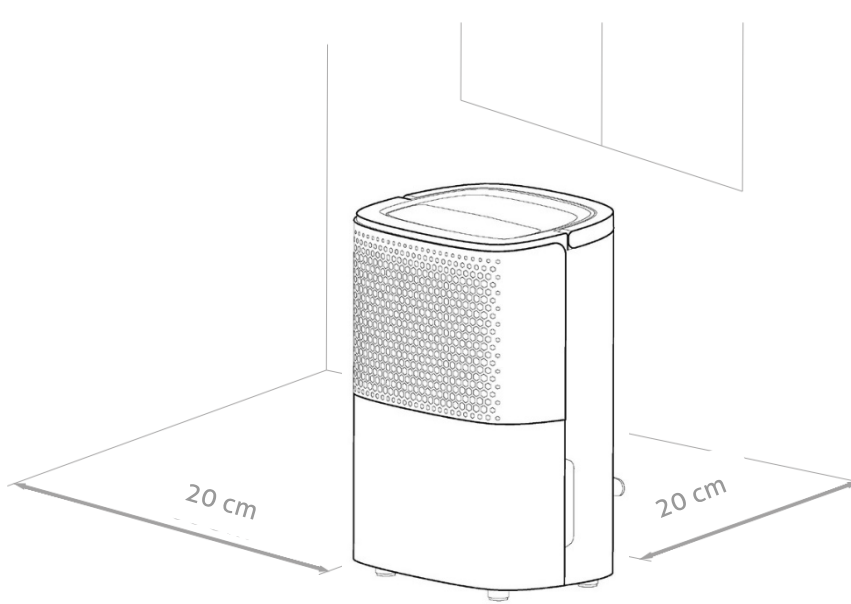
## 4. INSTALLATION

### A. EMBLACEMENT DU DESHUMIDIFICATEUR

Placez l'appareil sur une surface stable et plane et laissez au moins 30 cm d'espace libre autour de lui pour permettre une circulation d'air adéquate.

#### N'installer jamais l'unité :

- À côté de sources de chaleur telles que chaudière, radiateurs, poêles ou des autres appareils générant de la chaleur.
- Dans une zone où peut être éclaboussé de l'huile ou de l'eau
- En plein soleil
- Dans une zone de vibrations ou de chocs mécaniques
- Dans une zone de poussière excessive
- Dans une zone non ventilée, telle qu'un placard ou une bibliothèque
- Sur une surface inégale



#### ATTENTION

Installez l'unité dans des pièces dépassant 4 m<sup>2</sup>.  
N'installez pas l'unité dans un endroit où des gaz inflammables peuvent fuir.



#### NOTE

Le fabricant peut fournir un autre exemple approprié ou fournir des informations supplémentaires sur l'odeur du réfrigérant.

### B. UTILISATION EN TOUTE SÉCURITÉ DE L'APPAREIL

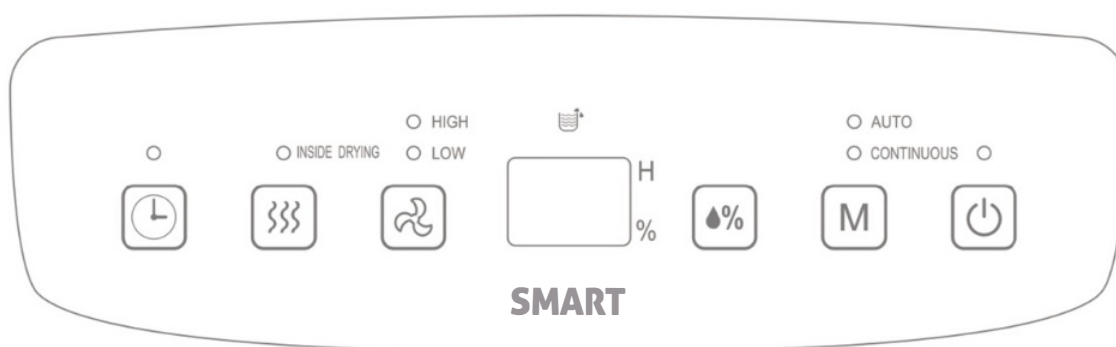
- Après le déballage, vérifiez si l'appareil est endommagé ou rayé.
- Utilisez cette unité à une température ambiante comprise entre 5 ° C et 35 ° C.
- N'utilisez pas le déshumidificateur à l'extérieur. Ce déshumidificateur est destiné à un usage résidentiel uniquement.
- N'utilisez pas le déshumidificateur à la proximité de murs, rideaux ou autres objets pouvant obstruer l'entrée et la sortie d'air.
- Gardez les ports d'entrée et de sortie sans d'obstacles.
- Si elle a été inclinée à un angle supérieur à 45°, laissez l'unité debout pendant au moins 24 heures avant de démarrer.
- Gardez les portes et les fenêtres fermées pour une meilleure efficacité du déshumidificateur.
- N'utilisez pas et ne stockez pas l'unité à la lumière directe du soleil ou sous la pluie.
- Il est normal que la sortie d'air se réchauffe après un fonctionnement continu pendant les journées chaudes
- Videz le réservoir d'eau avant de déplacer le déshumidificateur.
- Assurez-vous que le réservoir d'eau est correctement monté, sinon l'unité ne fonctionnera pas correctement.
- Le déshumidificateur démarre dans le mode sélectionné lors de la dernière

utilisation.

- Le déshumidificateur commence à déshumidifier l'air de la chambre si le taux d'humidité est supérieur de plus de 3% à la valeur sélectionnée.
- Le compresseur est équipé d'un système de protection qui retarde le démarrage avec 3 minutes. Ainsi, vous devrez attendre 3 minutes pour que le déshumidificateur reprenne le processus de déshumidification.

## 5. FONCTIONNEMENT

### A. Panneau de commande



#### **BOUTON D'ALIMENTATION (POWER)**

En mode veille, appuyez sur cette touche pour allumer l'appareil, le voyant correspondant s'allumera, le ventilateur fonctionnera à une vitesse par défaut et le niveau d'humidité réglé sera de 50%. Dans ce mode, appuyez sur le même bouton pour éteindre l'unité. L'indicateur approprié s'éteint, le compresseur s'éteint immédiatement, puis le ventilateur s'éteint avec un délai de 30 secondes.



#### **MODES DE FONCTIONNEMENT (MODE)**

**Mode automatique - Mode de fonctionnement avec déshumidification continue,** appuyez une fois pour passer d'un mode à l'autre et l'indicateur correspondant

s'allume.

- **AutoMode automatique:** Dans ce mode, si l'humidité ambiante est supérieure à 5%, le compresseur et le ventilateur démarrent. Si le taux d'humidité de la pièce est inférieur de 5% à celui défini, le compresseur s'arrête et le ventilateur fonctionne conformément au réglage initial et permet de lire l'humidité dans l'air. La valeur d'humidité initiale est de 50%.
- **Mode de fonctionnement de déshumidification continu - fonction de séchage des matières textiles**  
Dans ce mode, l'appareil fonctionnera indépendamment de l'humidité de la pièce. Le compresseur et le ventilateur fonctionneront, la vitesse du ventilateur étant réglable.



### TIMER

Appuyez sur le bouton timer pour régler cette fonction de 1 à 24 heures. Plage de réglage est 1 heure. Chaque fois que vous appuyez sur cette touche, la valeur augmente d'une heure et est affichée sur l'écran. Pour annuler la fonction timer, choisissez la valeur "00". L'indicateur correspondant à la fonction timer s'allumera. Après que vous avez réglé la fonction timer, le LED correspondant reste allumé pendant toute la durée définie. Une fois la durée définie écoulée, le LED correspondant s'éteint automatiquement. Dans le mode de fonctionnement, réglez le timer pour éteindre l'unité;

En mode veille, configurez la fonction timer pour allumer l'unité.



### REGLAGE DE L'HUMIDITE

Appuyez sur le bouton correspondant à l'humidité pour vérifier le niveau d'humidité de la chambre, puis appuyez de nouveau sur ce bouton pour définir le niveau d'humidité souhaité. La plage de réglage d'humidité souhaitée (pas à pas) est de 80%-75%-65% ... 40%-35%-30%. Une fois le niveau souhaité défini, le système confirme la valeur d'entrée, puis l'unité sort du mode de réglage et revient au niveau d'humidité actuel. En mode de déshumidification, le niveau d'humidité ne peut pas être modifié.



### VITESSE DU VENTILATEUR

En mode de déshumidification automatique (AUTO) et en mode de séchage (CONTINU), appuyez sur cette touche pour modifier la vitesse du ventilateur: Vitesse lente / élevée. Pour que l'appareil fonctionne correctement, le ventilateur fonctionne en continu jusqu'à ce qu'il s'arrête.



### FONCTION DE SECHAGE INTERNE

Appuyez sur la touche INSIDE DRYING pour activer la fonction de séchage interne avant d'éteindre l'appareil. Cette fonction empêche la formation de moisissure à l'intérieur de l'appareil en raison de la présence d'humidité après son arrêt.



### AFFICHAGE

En mode de déshumidification automatique (AUTO) ou en mode séchage de textile (CONTINU), il indique l'humidité réelle de la pièce, le réglage de l'humidité et le mode TIMER indique l'heure définie en heures.



### ALARME RESERVOIR DEAU PLEIN - Drainage manuel

- **Indicateur de réservoir deau**

Lorsque le réservoir d'eau est plein (l'indicateur de niveau d'eau du réservoir peut être visualisé à tout moment), jusqu'à ce qu'il soit vidangé, l'appareil s'arrête de fonctionner sous l'action du flotteur dans le réservoir, un bip retentit 10 fois brièvement, et le message "FL" et le voyant rouge du réservoir plein s'affichent. Retirez le réservoir d'eau de l'appareil et videz-le de l'eau.

- **Arrêt de l'alarme**

Lorsque l'alarme est activée, appuyez sur n'importe quel bouton pour l'arrêter. Le compresseur et le ventilateur s'arrêtent, ainsi que les autres fonctions actives, jusqu'à ce que le réservoir d'eau soit vidé et que son réinstallation soit dans la bonne position.

## B. Drainage

Il existe deux manières d'éliminer l'eau recueillie produite par l'unité

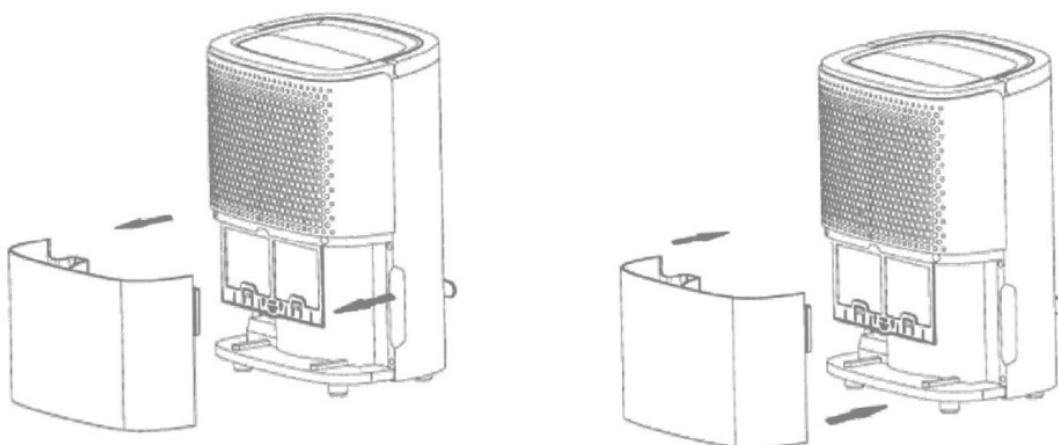
A. Drainage manuel: Réservoir d'eau, enlevé et drainé manuellement.

B. Drainage continu: Attachement à l'unité d'un tuyau de drainage gravitationnel d'eau résultant de la condensation.

## C. Vider le réservoir

L'unité s'arrêtera dès que le réservoir sera rempli d'eau. Le déshumidificateur ne redémarrera qu'après avoir vidé le réservoir d'eau et l'avoir réinstallé correctement. Lorsque le réservoir est plein, l'appareil émet un son acoustique et l'indicateur LED "Full Water - FL" (réservoir plein) s'allume.

- Appuyez sur le bouton POWER pour éteindre l'unité.
- Retirez le réservoir d'eau et il sortira du corps du déshumidificateur.
- Videz l'eau du réservoir.
- Nettoyez l'intérieur du réservoir si nécessaire, et aussi l'extérieur.
- Insérez le réservoir vide dans l'unité.
- Appuyez sur le bouton POWER pour reprendre le fonctionnement de l'appareil.
- Si l'indicateur du réservoir plein reste allumé, vérifiez que le flotteur du réservoir est dans la bonne position et qu'il n'est pas verrouillé dans une autre position



#### D. Drainage continu

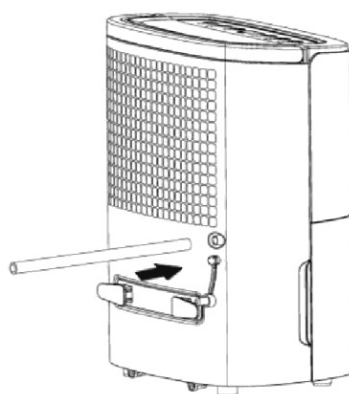
Pour un fonctionnement continu ou une déshumidification sans surveillance, veuillez connecter le tuyau de vidange à l'unité. L'eau condensée s'écoulera librement, par gravitation, dans un seau ou un drain. Retirez le bouchon en caoutchouc attaché au connecteur de vidange continue à l'arrière de l'appareil avant de brancher le tuyau. Retirez le réservoir d'eau et verrouillez avec le bouchon en caoutchouc retiré, le trou situé à l'avant de l'appareil, qui draine normalement l'eau du réservoir.

Connectez un tuyau d'évacuation d'eau (inclus dans l'emballage) à l'arrière de l'appareil. (diamètre intérieur du connecteur: 9 mm), l'eau peut être évacuée en continu. Vérifiez que le tuyau est correctement raccordé au trou de drainage pour éviter toute fuite d'eau accidentelle.

Remarque: le tuyau de vidange peut ne pas être trop long (généralement 0,6 m), il ne doit pas être placé au-dessus du niveau du trou de vidange pour assurer le drainage de l'eau drainée.

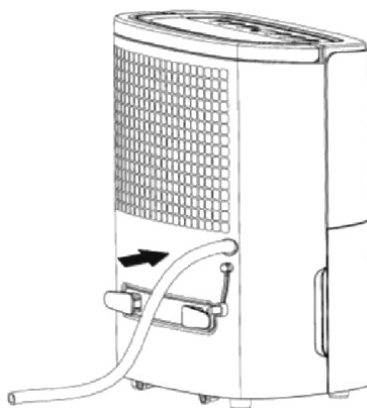
- Placez l'unité sur une surface horizontale et stable.
- Arrêter l'unité avant de drainer l'eau.

Retirez le bouchon du trou de drainage et gardez-le dans un endroit sûr



Port de drainage continu

- Connectez le tuyau de vidange correctement et assurez-vous qu'il n'est pas obstrué.
- Insérez l'extrémité d'évacuation du tuyau dans un drain ou un seau et assurez-vous que l'eau peut s'écouler librement de l'unité.
- Ne submerger pas l'extrémité du tuyau dans l'eau, car cela pourrait provoquer un "blocage" de l'air dans le tuyau.



**Pour prévenir les fuites d'eau:**

- La pression négative du récipient de drainage des condensats étant élevée, inclinez le tuyau de drainage vers le sol. Il est nécessaire que l'angle d'inclinaison dépasse 20 °.
- Serrer le tuyau pour éviter de le plier.

**D. FONCTION ANTI-GEL**

Cette fonction sera activée lorsque la température ambiante descendra en dessous de 16 °C. L'écran affichera „P1”. Il sera activé pour une période de 8 minutes toutes les 38 minutes entre 2 et 12 °C. Il sera également activé pour une période de 5 minutes toutes les 60 minutes entre 12 et 16 °C.

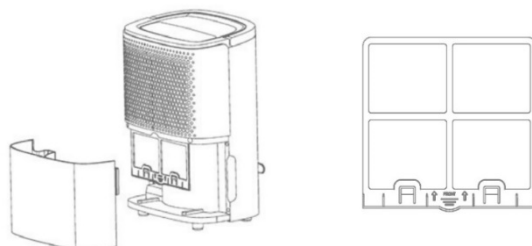
## 6. ENTRETIEN

### NETTOYAGE DU FILTRE D'AIR

Nettoyez le filtre au moins toutes les deux semaines ou chaque fois qu'il est nécessaire. Les impuretés accumulées dans un filtre non lavé peuvent être absorbées par le ventilateur en se fixant sur l'évaporateur, au condenseur et sur d'autres composants internes, ce qui entraîne une diminution du rendement et l'apparition de divers défauts, dans ce cas, non couverts par la garantie.

Si on constate des impuretés à l'intérieur de l'unité, contactez le service agréé le plus proche pour un nettoyage professionnel. N'effectuez pas de nettoyage interne (autre que le nettoyage et le lavage du filtre lavable) qu'uniquement avec du personnel spécialisé.

- a) Retirez la grille du filtre et enlevez le filtre.





- b) Utilisez un aspirateur pour enlever délicatement la poussière de la surface du filtre. Si le filtre est très sale, lavez-le à l'eau et au détergent, puis séchez-le soigneusement. Nettoyez les surfaces externes de l'appareil avec un chiffon humide. N'utilisez pas de produit abrasif ou d'éponge à gratter.
- c) Remettez le filtre en place derrière l'appareil.

## 7. DÉPANNAGE

### A. TEMPERATURE DE FONCTIONNEMENT

**5 ° C ≤ Température ambiante ≤ 35 ° C** Lorsque la température ambiante est inférieure ou supérieure à la température de fonctionnement, le déshumidificateur s'arrête.

**Lorsque 5 ° C ≤ Temp. Ambiante ≤ 16 ° C**, le compresseur dégivre automatiquement à certains intervalles; pendant le dégivrage, le compresseur s'arrête et le ventilateur continue de fonctionner.

### B. AVANT DE DEMANDER UN SERVICE

Avant de contacter le centre de service, consultez la liste des problèmes pouvant survenir pendant le fonctionnement de l'unité et ne résultant pas d'un vice du travail ni des matériaux utilisés

Problème	Causes possibles	Solution
L'appareil ne fonctionne pas	Il n'y a pas d'alimentation	Branchez l'appareil à une prise de courant et allumez-le
	L'indicateur «Water Full» (Réservoir plein) est allumé	Videz le réservoir d'eau et remettez-le au bon endroit.
	Température de la chambre <5°C >35°C	Système de protection installé pour protéger l'unité. L'unité ne peut pas fonctionner à une telle température.
Mauvaise opération	Le filtre à l'air est-il bloqué?	Nettoyez le filtre à l'air comme expliqué dans ce manuel
	Le port d'entrée ou de sortie est-il bloqué?	Le fait de retirer quoi que ce soit obstrue l'entrée ou la sortie.
Le port d'entrée d'air ne permet pas à l'air de passer à	Le filtre est-il bloqué?	Lavez le filtre

travers		
L'unité fait du bruit pendant le fonctionnement	L'unité est-elle positionnée sur une surface horizontale et plane?	Placez l'appareil correctement
	Le filtre est-il bloqué?	Lavez le filtre
La déshumidification est insuffisante.	La température ambiante ou l'humidité de l'air est trop faible. L'entrée ou la sortie d'air sont bloquées.	Éliminez les blocages ou les impuretés.
L'air ne sort pas par la sortie d'air.	Le filtre est encrassé.	Nettoyez le filtre.
Fuite d'eau.	Le tuyau d'évacuation est mal installé. Le tuyau est bloqué.	Assurez-vous que le tuyau soit bien fixé Nettoyez le tuyau.

## 8. ELIMINATION

### A. STOCKAGE DE L'UNITÉ

Stockage à long terme - Si vous n'utilisez pas l'appareil pendant une longue période (plus de quelques semaines), nous vous recommandons de le nettoyer et de le sécher complètement. Veuillez stocker l'unité en procédant comme suit:

- a) Appuyez sur le bouton d'alimentation pour éteindre l'unité et débranchez-le de la prise de courant.
- b) Videz l'eau restante dans l'unité
- c) Nettoyez le filtre et laissez-le se sécher complètement dans une zone à l'abri de la lumière.
- d) Enroulez le câble d'alimentation.
- e) Réinstallez le filtre dans la position correcte.
- f) L'unité doit être maintenue en position verticale lorsqu'elle est stockée.
- g) Conservez le déshumidificateur dans une chambre ventilée, sèche et sans carburants.

**ATTENTION:** L'évaporateur à l'intérieur du déshumidificateur doit être sec avant d'être emballé pour éviter d'endommager les composants et l'apparence de moisissure. Débranchez l'unité et placez-le dans un endroit sec et ouvert pendant plusieurs jours pour le bien sécher. Une autre façon de sécher l'unité consiste à régler le niveau d'humidité à 5% au-dessus de l'humidité ambiante, afin de forcer le ventilateur à sécher l'évaporateur

pendant plusieurs heures.

## B. ELIMINATION



### **AVERTISSEMENT!!!**

La libération du réfrigérant dans l'atmosphère est strictement interdite!

Le pictogramme ci-contre apposé sur le produit signifie que la directive européenne 2012/19/UE s'applique (poubelle à roues barrée d'une croix). Ne jetez pas les appareils électriques avec les déchets ménagers non triés, mais utilisez des espaces de collecte séparés. Contactez votre administration locale pour obtenir des informations sur les systèmes de collecte disponibles dans la région. Si les appareils électriques sont jetés avec les ordures ménagères, des substances dangereuses peuvent s'infiltrer dans les eaux souterraines et atteindre la chaîne alimentaire, nuisant ainsi à la santé et au bien-être des personnes.

# IT: INDICE

1.	PRIMA DI INIZIARE	102
2.	PRECAUZIONI DI SICUREZZA SULLA MANUTENZIONE	104
3.	PRESENTAZIONE DEL PRODOTTO	110
4.	INSTALLAZIONE	111
5.	FUNZIONAMENTO	113
6.	MANUTENZIONE	117
7.	RISOLUZIONE DEI PROBLEMI	118
8.	SMALTIMENTO DEL PRODOTTO	119

Grazie per aver scelto il nostro deumidificatore..  
Assicurarsi di leggere attentamente questo manuale prima di utilizzarlo.  
*Conservare attentamente questo manuale per ulteriori riferimenti!!*

# 1. PRIMA DI INIZIARE

**Leggere attentamente le istruzioni per l'uso prima di utilizzare il deumidificatore per la prima volta.**

## A. DESCRIZIONE DEL PRODOTTO

Il deumidificatore viene utilizzato per rimuovere l'umidità in eccesso dall'aria. La conseguente riduzione dell'umidità relativa protegge gli edifici e il loro contenuto dagli effetti negativi dell'umidità in eccesso.

La impedancia de la unidad no debe exceder 0,236 ohmios. El incumplimiento de estos requisitos puede dar lugar a restricciones impuestas por las autoridades de suministro de electricidad. Verificar con las autoridades locales de suministro de electricidad si la impedancia eléctrica excede 0.236 ohmios.

L'R290 ecologico viene utilizzato come refrigerante. R290 non ha alcuna influenza dannosa sullo strato di ozono (ODP), un effetto serra trascurabile (GWP) ed è disponibile in tutto il mondo. Grazie alle sue efficienti proprietà energetiche, R290 è altamente adatto come refrigerante per questa applicazione. Precauzioni speciali devono essere prese in considerazione a causa dell'alta infiammabilità del liquido di raffreddamento.

## B. SIMBOLI SULL'UNITÀ E NEL MANUALE D'USO



### Attenzione!

Questa unità utilizza un refrigerante infiammabile.

Se il refrigerante esce fuori dall'unità ed entra in contatto con il fuoco o una parte riscaldante, si crea gas nocivo e aumenta il rischio di incendio.



Leggere attentamente il MANUALE D'USO prima di utilizzare l'unità.



Ulteriori informazioni sono disponibili nel MANUALE D'USO e nel MANUALE DI ASSISTENZA TECNICA.



Il personale dell'assistenza tecnica è consigliato di leggere attentamente il MANUALE D'USO e il MANUALE DI ASSISTENZA TECNICA prima di utilizzare l'unità.

## C. PRESTARE ATTENZIONE IN QUALSIASI MOMENTO ALLE INFORMAZIONI SOTTOSTANTI

- Cualquier persona que está involucrada en el trabajo con un agente frigorífico o en un circuito de refrigeración debe ser titular de un certificado válido emitido por una entidad de valoración acreditada en el campo que tiene la facultad de autorizar el tratamiento seguro de los agentes frigoríficos, de conformidad con los requisitos de valoración reconocidos en el campo.
- Considerar la protección del medio ambiente al retirar el empaquetado de la unidad y la propia unidad al final de su vida útil.
- La unidad debe ser almacenada en un área bien ventilada, donde el tamaño de la habitación es adecuada a las condiciones de funcionamiento.
- El aparato debe ser almacenado de modo que no se puedan producir daños mecánicos.
- Información para los espacios en que se permiten las tuberías de agente frigorífico:
  - La instalación de las tuberías debe mantenerse al mínimo;
  - Las tuberías deben ser protegidas de daño físico y, en el caso de agentes frigoríficos inflamables, se deben instalar en un espacio bien ventilado;
  - El cumplimiento de las normas nacionales sobre el gas;
  - Las conexiones mecánicas deben ser accesibles para el mantenimiento;
  - En el caso de las unidades que contienen agentes frigoríficos inflamables, la superficie mínima de la habitación debe indicarse como una tabla o una sola figura sin referencia a una fórmula;
- No obstruir las rejillas de entrada y salida del aire.
- Cualquier intervención en relación con el mantenimiento se llevará a cabo sólo de acuerdo con las recomendaciones del fabricante;
- Las tuberías conectadas a un dispositivo no deben incluir una fuente potencial de fuego;
- Cuando el aparato de aire acondicionado portátil o el deshumidificador está encendido, el ventilador puede funcionar de forma continua en condiciones normales para proporcionar el volumen de aire mínimo de 80 m<sup>3</sup>/h, incluso cuando el compresor esta apagado por causa del controlador de temperatura.
- No perforar ni incinerar.
- Utilizar solamente herramientas recomendadas por el fabricante para la descongelacion o limpieza
- No perforar alguno de los componentes del circuito de refrigeracion. El gas de refrigeracion puede ser inodoro
- Almacenar el aparato con cuidado para evitar los dafios mecanicos.
- Solo el personal autorizado por una agencia acreditada que certifica sus habilidades pueden manejar los agentes frigorificos, de acuerdo con la legislacion local
- Todas las reparaciones deben ser llevadas a cabo de acuerdo con las recomendaciones del fabricante.
- El mantenimiento y las reparaciones que requieren la asistencia de personal cualificado deben llevarse a cabo bajo la supervision de especialistas en el uso de agentes frigorificos inflamables.

- No perforar alguno de las componentes del circuito con agente frigorifico. El agente frigorifico puede ser inodoro.

Advertencias adicionales para la unidad que utiliza agente frigorifico R290 (vease la placa de datos tecnicos para el tipo de agente frigorifico utilizado ).



PELIGRO DE FUEGO!

LEA EL MANUAL DE MANTENIMIENTO Antes de usar el aparato

El agente frigorifico R290 cumple con las directivas europeas en materia de proteccion del medio ambiente.

Turbionaire Smart 8 Eco/ Smart 10 Eco contiene aproximadamente 40g de agente frigorifico R290.

Turbionaire Smart 12 Eco contiene aproximadamente 55g de agente frigorifico R290.

Turbionaire Smart 14 Eco contiene aproximadamente 52g de agente frigorifico R290.

Turbionaire Smart 16M contiene aproximadamente 62g de agente frigorifico R290.

La unidad debe ser instalada, usada y almacenada en una habitacion mas grande que 4 m<sup>2</sup>

LA MANCATA OSSERVANZA DELLE ISTRUZIONI DI SICUREZZA PUÒ AUMENTARE IL RISCHIO DI ESPLOSIONI, MORTE, LESIONI E DANNI MATERIALI.

## 2. PRECAUZIONI DI SICUREZZA SULLA MANUTENZIONE

**La tua sicurezza è la cosa più importante di cui siamo preoccupati!**



Si prega di leggere attentamente questo manuale prima di utilizzare il deumidificatore.



Chiunque lavori su un circuito di refrigerazione deve essere in possesso di un certificato valido rilasciato da un'autorità di valutazione accreditata, che autorizza la propria competenza a gestire i refrigeranti in modo sicuro, conformemente alle specifiche riconosciute in tale settore.



Le riparazioni all'installazione devono essere eseguite solo secondo le raccomandazioni del produttore. La manutenzione e le riparazioni richiedono l'assistenza di personale qualificato e vengono eseguite sotto la supervisione di una persona competente nell'uso di refrigeranti infiammabili.

Se ci sono problemi che non capisci o se hai bisogno di aiuto, contatta il rivenditore autorizzato.

**Instrucciones sobre reparaciones a las unidades que contienen R290**

### 1. Inspección del lugar de trabajo

Antes de empezar a trabajar en los sistemas que contienen agentes frigoríficos inflamables, son necesarios controles de seguridad para reducir el riesgo de incendio. Para reparar el sistema de refrigeración, se deben seguir las siguientes precauciones antes de llevar a cabo los trabajos en el sistema.

## **2. Procedimiento de trabajo**

Los trabajos se llevan a cabo de acuerdo con un procedimiento controlado, a fin de minimizar el riesgo de fuga de gas inflamable o vapores durante los procedimientos de trabajo.

## **3. Área general de trabajo**

Todo el personal a cargo del mantenimiento, como también el que trabaja en los sitios adyacentes debe ser instruido sobre la naturaleza del trabajo que realizan. El trabajo en espacios confinados debe ser evitado. Se definirá el área alrededor del área de trabajo. Asegúrese de que en el área de trabajo se siguen las medidas de seguridad mediante el control del material inflamable.

## **4. Inspección de la presencia del agente frigorífico**

El área será controlada con un detector de agente frigorífico adecuado antes y durante el trabajo, para asegurarse de que el técnico es consciente de la atmósfera potencialmente inflamable. Asegúrese de que el equipamiento de detección de fugas utilizado es adecuado en el caso de los agentes frigoríficos inflamables, es decir resistente a la ignición, protegido o sellado correctamente.

## **5. La presencia del extintor de incendios**

Si se debe llevar a cabo un trabajo en caliente dentro de la instalación de refrigeración o en cualquiera de sus partes, siempre debe tener disponible el equipo adecuado para la extinción de incendios. Asegúrese de la existencia de un polvo seco o de un extintor de incendios CO<sub>2</sub>, adyacente al área de trabajo.

## **6. Sin fuentes abiertas de llamas**

Ninguna persona que realiza trabajos en la instalación de refrigeración que implica la exposición directa al agente frigorífico inflamable no utilizará alguna fuente abierta de llamas, si no aumentará considerablemente el riesgo de incendio explosión. Todas las fuentes de ignición, incluyendo los cigarrillos, deben mantenerse alejados del lugar de instalación, reparación, retirada y eliminación, procedimientos durante los cuales podría ser liberado el agente frigorífico inflamable en el espacio circundante. Antes de empezar a trabajar en una tal instalación, la zona circundante debe ser monitoreada para asegurarse de que no hay ningún riesgo de ignición. También se debe exponer el mensaje "Prohibido fumar".

## **7. Área ventilada**

Asegurarse de que el área está abierta o bien ventilada antes de empezar a trabajar en la instalación de refrigeración o de realizar cualquier trabajo en caliente. Es necesario tener un ventilador durante los trabajos. A través de la ventilación se debería dispersar de forma segura cualquier agente frigorífico liberado y, preferiblemente, expulsarlo a la atmósfera exterior.

## **8. Inspecciones del equipamiento de refrigeración**



Si se cambian los componentes eléctricos, estos deben cumplir con las especificaciones técnicas. Llevar a cabo las instrucciones del fabricante en relación con el mantenimiento y la revisión. En caso de duda, consultar con el departamento técnico del fabricante para obtener ayuda. Los siguientes controles se aplican a las instalaciones que utilizan agentes frigoríficos inflamables:

- la cantidad del cargo está conforme con el tamaño de la habitación en la que están instalados los componentes que contienen agente frigorífico;
- los ventiladores y las rejillas de evacuación del aire están funcionando correctamente y no están obstruidas;
- si se utiliza un circuito indirecto de refrigeración, el circuito secundario debe ser comprobado en la presencia del agente frigorífico;
- Marcado de los equipos debe ser visible. Los signos y símbolos que son ilegibles serán corregidos;
- Las tuberías o los componentes de la instalación frigorífica se colocan en una posición en la que es poco probable que sean expuestos a cualquier sustancia que pueda corroer los componentes que contienen agente frigorífico, a menos que los componentes están hechos de materiales resistentes a la corrosión o adecuadamente protegidos contra la corrosión.

#### **9. Inspección de los dispositivos eléctricos**

La reparación y el mantenimiento de los componentes eléctricos deben incluir comprobaciones de seguridad iniciales y procedimientos de inspección de componentes. Si hay un fallo que pudiera comprometer la seguridad, entonces el circuito no se debe conectar a una fuente de alimentación hasta que el fallo no se aborda de manera satisfactoria. Si el fallo no se puede corregir de inmediato, pero requiere la continuación del funcionamiento, debe utilizarse una solución temporal adecuada. Esto se debe informar al propietario del equipo, de modo que todas las partes estén informadas. Las comprobaciones de seguridad iniciales se llevan a cabo si:

- Los condensadores están descargados: esto se hace de una manera segura para evitar las chispas;
- No se exponen los componentes eléctricos y los cables eléctricos durante el recargo, el reacondicionamiento o la limpieza de la instalación;
- Hay continuidad de conexión a una puesta a tierra.

#### **10. Reparación de componentes estancos**

Durante la reparación de los componentes estancos, todas las fuentes de energía eléctrica deben ser desconectadas del equipo en el que se debe intervenir, antes de que cualquier eliminación de las tapas para sellado etc. Si la alimentación eléctrica del equipo es absolutamente necesaria durante el mantenimiento, entonces se debe considerar un sistema continuo de detección de fugas en el punto más crítico para advertir una situación potencialmente peligrosa.

Se debe prestar una atención especial a los siguientes asuntos para asegurarse de que, durante los trabajos en los componentes eléctricos, la carcasa no se modifica de manera que el nivel de protección pueda verse afectado. Estos incluyen los daños a los cables, el número excesivo de conexiones, los terminales que no cumplan con las especificaciones iniciales, los daños en los sellos, la instalación incorrecta de las juntas de estanqueidad etc.

Asegurarse de que el dispositivo está montado de forma segura. Asegurarse de que los sellos o los materiales de sellado no se han degradado de manera que no sirvan al propósito de impedir la penetración de gases inflamables. Las piezas de repuesto deben cumplir con las especificaciones del fabricante.

#### **11. Reparaciones de los componentes con fusibles intrínsecos**

No utilizar cargas permanentes inductivas o capacitivas en el circuito sin asegurarse de que no se exceda la tensión y la corriente permitida para el equipo utilizado. Los componentes con fusibles intrínsecos son los únicos tipos con los que se puede trabajar en una atmósfera inflamable. El aparato de ensayo debe ser evaluado correctamente.

Reemplazar los componentes sólo con las piezas especificadas por el fabricante. Otros componentes pueden causar el encendido del agente frigorífico de la atmósfera debido a una fuga.

#### **12. Cables**

Comprobar que los cables no estarán sujetos a desgaste, corrosión, presión excesiva, vibraciones, bordes afilados u otros efectos adversos para el medio ambiente. La comprobación debe también considerar los efectos de los daños con el tiempo o de las vibraciones continuas a partir de fuentes tales como compresores o ventiladores.

#### **13. Detección de agentes frigoríficos inflamables**

De ninguna manera se deben utilizar posibles fuentes de ignición en la búsqueda o detección de fugas de agente frigorífico. No utilizar una lámpara de halógeno (o cualquier otro detector que usa una llama abierta).

#### **14. Eliminación y drenaje**

Al intervenir en el circuito del agente frigorífico para reparaciones - o para cualquier otro propósito - se utilizarán los procedimientos convencionales. Sin embargo, cuando se trata de agentes frigoríficos es importante seguir las mejores prácticas ya que existe un alto riesgo de incendio. Seguir este procedimiento:

- Retirar el agente frigorífico;
- Purgar el circuito con gas inerte;
- Drenar;
- Purgar de nuevo con gas inerte;
- Abrir el circuito por corte o soldadura fuerte.

La cantidad de agente frigorífico se recupera en los cilindros de recuperación adecuados. Para las unidades que contienen agente frigorífico, el sistema se debe purgado con OFN para proteger la unidad. Este proceso se puede repetir varias veces. No utilizar aire comprimido u oxígeno para este procedimiento. El lavado se realiza mediante la introducción forzada de OFN (nitrógeno libre de oxígeno) en el sistema hasta alcanzar la presión de trabajo, seguido de la ventilación a la atmósfera, y, finalmente, la aspiración. Este proceso se repite hasta que en el sistema ya no permanece agente frigorífico. Cuando se utiliza la cantidad final de OFN, el sistema debe ser ventilado a la presión de aire para permitir el trabajo. Esta operación es absolutamente vital si se deben hacer las operaciones de soldadura de tubería. Asegurarse de que el enchufe para la bomba de vacío no está cerca de fuentes abiertas de llamas y de que existe una ventilación disponible.

#### **15. Procedimientos de llenado**

Además de los procedimientos convencionales de llenado, se deben cumplir los siguientes requisitos:

- Asegurarse de que no hay contaminación de diferentes agentes frigoríficos cuando se utiliza equipo de llenado. Las mangueras deben ser tan cortas como sea posible para minimizar la cantidad de agente frigorífico contenido en las mismas.
- Los cilindros deben mantenerse en posición vertical.
- Asegurarse de que el sistema de refrigeración está conectado a tierra antes de llenar el sistema con agente frigorífico.
- Etiquetar el sistema después de llenarlo con agente frigorífico (si no está ya etiquetado).
- No sobrecargar el sistema de refrigeración.

Antes de volver a llenarlo, el sistema debe ser probado con OFN. Se debe comprobar si hay fugas en el sistema al terminar el procedimiento de llenado, pero antes de poner en marcha la unidad. Después del procedimiento de llenado, realizar una prueba de detección de fugas.

#### **16. Desmantelamiento**

Antes de realizar este procedimiento, es esencial que el técnico esté completamente familiarizado con el equipo y todos sus componentes. Se recomienda que todos los agentes frigoríficos se recuperen de forma segura. Antes de este procedimiento, se toma una muestra del aceite y del agente frigorífico, en el caso de que sea requerido un análisis antes de la reutilización del agente frigorífico regenerado. Es esencial que el suministro de electricidad esté disponible antes de iniciar el procedimiento.

- a. Familiarizarse con el equipo y su funcionamiento.
- b. Aislar eléctricamente el sistema.
- c. Antes del procedimiento, asegurarse de que:
- d. Hay un equipo de manipulación mecánico, si es necesario para el manejo de cilindros de agentes refrigerantes;
- e. Todos los equipos de protección personal están disponibles y se utilizan correctamente;
- f. El proceso de recuperación está supervisado en todo momento por una persona cualificada;
- g. Los equipos de recuperación y los cilindros cumplen con las normas pertinentes.
- h. Si es posible, vaciar el sistema de refrigeración.
- i. Si la aspiración no es posible, usar un colector de manera que el agente frigorífico pueda ser retirado de varias partes del sistema.
- j. Asegurarse de que el cilindro está en una posición vertical antes de la recuperación.
- k. Poner en marcha la máquina de recuperación y utilizarla de conformidad con las instrucciones del fabricante.
- l. No llenar los cilindros. (No más del 80% de la cantidad de líquido).
- m. No exceder la presión máxima de trabajo del cilindro, aunque sea temporalmente.
- n. Cuando los cilindros se cargaron correctamente y se completó el proceso, asegúrese de que material se elimina rápidamente de la zona de trabajo y que todas las válvulas de aislamiento de equipos están cerrados

o. El agente frigorífico recuperado no se debe cargar en otro sistema de refrigeración a menos que fuera limpiado y comprobado.

### **17. Etiquetado**

El equipo se debe etiquetar con la mención de que se ha desmantelado y vaciado de agente frigorífico. La etiqueta debe estar fechada y firmada. Asegurarse de que no hay etiquetas en los equipos que indique que el equipo contiene agente frigorífico inflamable.

### **18. Recuperación**

Cuando se ejecuta el procedimiento de retirada del agente frigorífico de un sistema, sea para mantenimiento de desmantelamiento, se recomienda que todos los agentes frigoríficos sean eliminados de manera segura.

Al transferir el agente frigorífico en los cilindros, de refrigerante, asegurarse de que sólo se utilizan cilindros de recuperación para agentes frigoríficos. Asegurarse de que el número correcto de cilindros es disponible para la recuperación de la cantidad total de refrigerante del sistema. Todos los cilindros que se van a utilizar están destinados al agente frigorífico recuperado y etiquetados para el agente frigorífico correspondiente (es decir cilindros especiales para la recuperación del agente frigorífico). Los cilindros deben estar equipados con válvulas de alivio de presión y de cierre asociadas, en buen estado de funcionamiento. Los cilindros de recuperación vacíos son evacuados y, si es posible, enfriados antes de recuperarse.

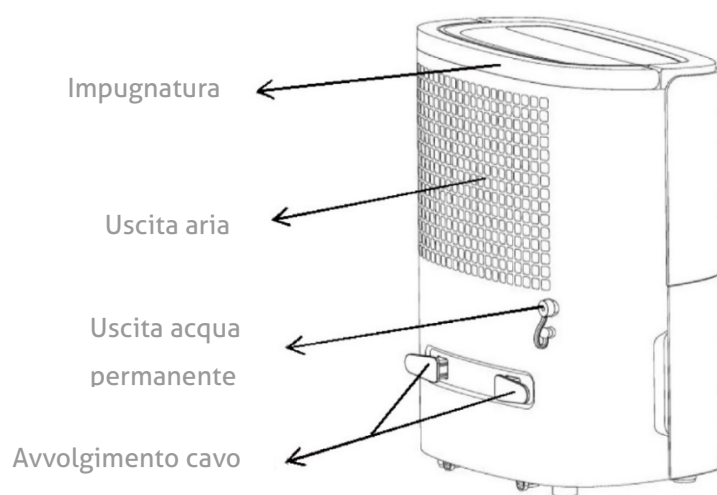
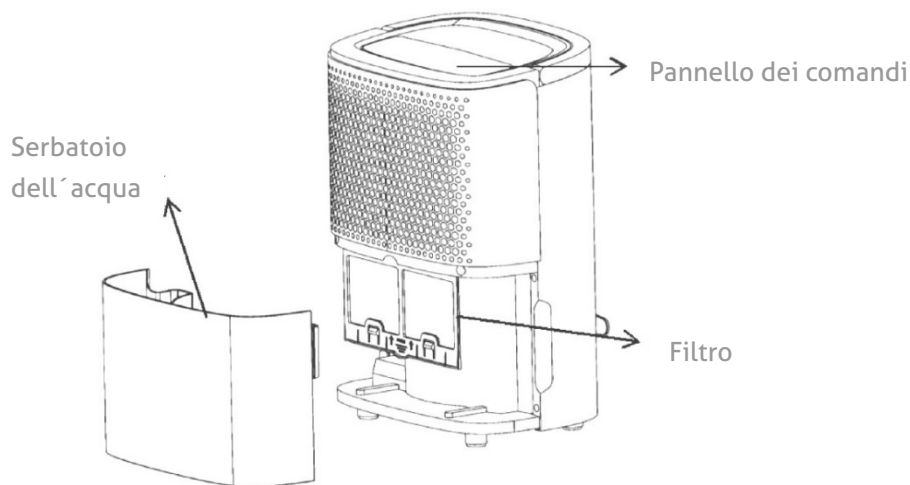
El equipo de recuperación debe estar en buen estado de funcionamiento, previsto con un conjunto de instrucciones sobre el equipo disponible y ser adecuado para el procedimiento de recuperación de los agentes frigoríficos inflamables. Además, un conjunto de escalas calibradas debe estar disponible y en buen estado de funcionamiento.

Las mangueras deben estar equipadas con mecanismos de conexión sin fugas y en buenas condiciones. Antes de usar la máquina de recuperación, asegurarse de que está en buen estado de funcionamiento, mantenida de manera adecuada y que todos los componentes eléctricos asociados están sellados para evitar la ignición si se libera un agente frigorífico. Consultar con el fabricante en caso de duda. El agente frigorífico será devuelto de manera adecuada al proveedor de agente frigorífico, en el cilindro de recuperación de refrigerante y preparará la Nota sobre la Transferencia de los Residuos. No mezclar los agentes de refrigeración de las unidades de recuperación y, especialmente, no en el cilindro. Si se deben eliminar los compresores o los aceites de los compresores, asegurarse de que fueron evacuados a un nivel aceptable para asegurarse de que el agente frigorífico inflamable no se queda en el lubricante.

El proceso de evacuación debe ser realizado antes de devolver el compresor a los proveedores. Usar solamente la calefacción eléctrica del cuerpo del compresor para acelerar este proceso. Cuando el aceite se extrae de un sistema, hay que hacerlo de forma segura.

### 3. PRESENTAZIONE DEL PRODOTTO

#### A. VISTA ANTERIORE E POSTERIORE



#### B. CARATTERISTICHE

- Potente rimozione dell'umidità
- Il monitor dell'umidità mostra l'umidità attuale dell'aria
- La modalità automatica regola automaticamente i livelli di umidità
- Timer 24 ore per impostare l'orario di funzionamento
- Rimuove efficacemente umidità, polvere dall'aria
- Basso consumo energetico ed efficienza energetica
- La ventola silenziosa ha due velocità
- Sbrinamento automatico a bassa temperatura  
Spegnimento automatico / riavvio automatico
- Controllo elettronico
- Funzione di asciugatura della biancheria
- Drenaggio continuo
- Serbatoio dell'acqua da 1.8 litri

## C. SPECIFICHE TECNICHE

MODELLO	SMART 8 eco	SMART 10 eco	SMART 12 eco
Capacità di deumidificazione	8L/giorno (30°C, 80%)	10L/giorno (30°C, 80%)	12L/giorno (30°C, 80%)
Alimentazione	AC220-240V/50Hz	AC220-240V/50Hz	AC220-240V/50Hz
Consumo di energia	200W/1.1A	200W/1.1A	200W/1.1A
Livello di rumore	≤40dB(A)	≤40dB(A)	≤40dB(A)
Capacità del serbatoio	1.8L	1.8L	1.8L
Carica massima di refrigerante	R290/40g	R290/40g	R290/55g
Peso netto	10kg	10kg	10.5kg
Dimensioni min. della stanza	4 m <sup>2</sup>	4 m <sup>2</sup>	4 m <sup>2</sup>
Dimensione	296x416x217 mm	296x416x217 mm	296x416x217 mm
MODELLO	SMART 14 eco	SMART 16M	
Capacità di deumidificazione	14L/giorno (30°C, 80%)	16L/giorno (30°C, 80%)	
Alimentazione	AC220-240V/50Hz	AC220-240V/50Hz	
Consumo di energia	250W/1.4A	250W/ 1.4A	
Livello di rumore	≤40dB(A)	≤43 dB(A)	
Capacità del serbatoio	1.8L	1.8L	
Carica massima di refrigerante	R290/52g	R290/62g	
Peso netto	10.5 kg	11.5 kg	
Dimensioni min. della stanza	4 m <sup>2</sup>	4 m <sup>2</sup>	
Dimensione	296x416x217 mm	296x416x217 mm	

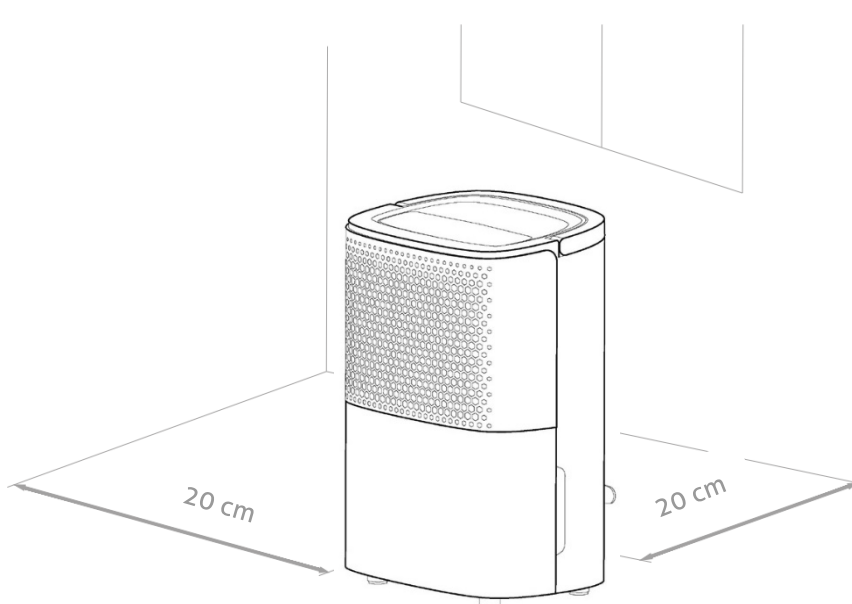
## 4. INSTALLAZIONE

### A. POSIZIONAMENTO DEL DEUMIDIFICATORE

Posizionare l'unità su una superficie stabile e piana in un'area con almeno 30 cm di spazio libero attorno per consentire una corretta circolazione dell'aria.

**Non installare mai l'unità dove potrebbe essere soggetta a:**

- Fonti di calore come radiatori, stufe o altri prodotti che producono calore.
- In un'area in cui potrebbe essere spruzzato olio o acqua.
- La luce diretta del sole
- Vibrazioni meccaniche o urti
- Polvere eccessiva
- Mancanza di ventilazione, ad esempio armadio o libreria
- Superficie irregolare



#### ATTENZIONE

Installare l'unità in stanze che superano i 4 m<sup>2</sup>.

Non installare l'unità in un luogo in cui potrebbero fuoriuscire gas infiammabili.



#### NOTA

Il produttore può fornire altri esempi adatti o ulteriori informazioni sull'odore del refrigerante.

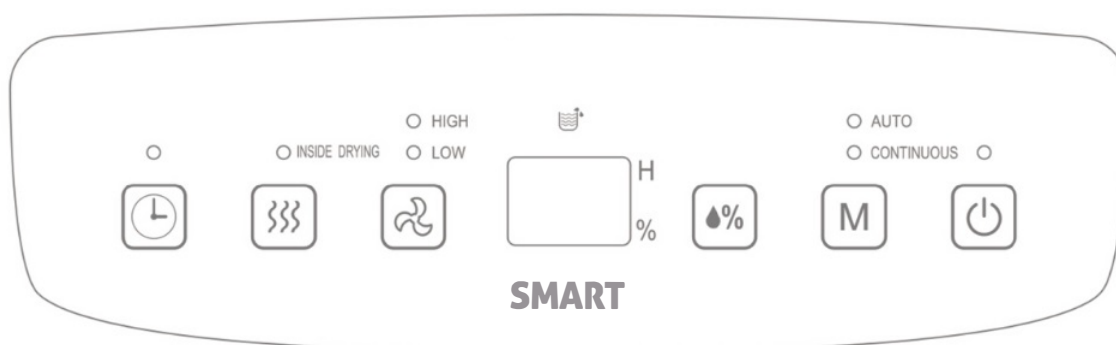
### B. AZIONARE IL DISPOSITIVO IN MODO SICURO

- Controllare il dispositivo dopo averlo disimballato per eventuali danni o graffi su di esso.
- Azionare questa unità a temperatura ambiente da 5°C a 35°C.
- Non utilizzare all'aperto. Questo deumidificatore è destinato esclusivamente ad applicazioni residenziali in interni.
- Non operare in prossimità di pareti, tende o altri oggetti che potrebbero bloccare l'ingresso e l'uscita dell'aria.
- Mantenere l'ingresso e l'uscita dell'aria liberi da ostacoli.
- Regolare il deflettore del vento nella direzione verso l'alto prima dell'avvio.
- Se inclinato di oltre 45 °, lasciare che l'unità rimanga in posizione verticale per almeno 24 ore prima dell'avvio.
- Tenere chiuse porte e finestre per un migliore risparmio energetico.
- Non utilizzare o conservare l'unità alla luce diretta del sole o alla pioggia.
- È normale che l'uscita dell'aria sia calda dopo un funzionamento continuo nelle giornate calde.
- Svuotare il serbatoio dell'acqua prima di spostare il dispositivo.
- Accertarsi che il serbatoio dell'acqua sia installato correttamente, altrimenti l'unità non funzionerà correttamente.
- Il deumidificatore si avvia nella modalità selezionata all'ultimo utilizzo dell'unità.

- Il deumidificatore inizia la deumidificazione se l'umidità della stanza è del 3% superiore all'umidità selezionata.
- C'è un ritardo di 3 minuti al termine del quale il compressore riprende a funzionare. Attendere 3 minuti affinché il deumidificatore riprenda la deumidificazione.

## 5. FUNZIONAMENTO

### A. Pannello di controllo



#### **Pulsante di accensione (POWER)**

Nello stato di standby, premere il pulsante di accensione POWER per accendere l'unità, l'indicatore corrispondente si illuminerà, la velocità predefinita della ventola è basso, e l'umidità predefinita è 50%. Nello stato di accensione, premere il pulsante POWER per spegnere l'unità, l'indicatore corrispondente si spegne e il compressore si arresta immediatamente, quindi la ventola si spegne dopo 30 secondi di ritardo.



#### **Modalità di funzionamento (MODE)**

##### **Modalità automatica (AUTO) – modalità di deumidificazione continua**

**(CONTINUOUS DRY)** premere una volta per passare da una modalità all'altra,

l'indicatore corrispondente si illumina.

- **Modalità automatica:** In questa modalità, se l'umidità della stanza è superiore all'umidità del 5%, il compressore e la ventola inizieranno. Se l'umidità dell'ambiente è inferiore all'umidità impostata del 5%, il compressore si spegne e la ventola funziona secondo l'impostazione iniziale e per leggere l'umidità dell'aria. Il valore di umidità iniziale è del 50%. La velocità della ventola e l'umidità possono essere regolate in modalità automatica.
- **Modalità di deumidificazione continua - funzione di asciugatura dei materiali tessili**  
In questa modalità, l'unità funzionerà indipendentemente dall'umidità nella stanza. Il compressore e la ventola funzioneranno, la velocità della ventola è regolabile.





### **FUNZIONE DI TEMPORIZZAZIONE (TIMER)**

Premere il pulsante TIMER per impostare la funzione di temporizzazione 1-24 ore.

L'intervallo di impostazione è di 1 ora. Ogni volta che si preme questo pulsante, il valore aumenta di 1 ora e quindi il valore di temporizzazione corrispondente viene visualizzato sullo schermo. Il valore di impostazione è "0" per annullare la funzione timer. L'indicatore si spegne. Dopo aver impostato il timer, il LED del timer rimane acceso durante il periodo di tempo impostato. Alla fine del periodo impostato, il LED del timer si spegne automaticamente.

In stato di funzionamento, impostare l'ora di spegnimento della l'unità;

In stato di standby/sospensione, impostare l'ora di accensione della l'unità.



### **IMPOSTARE LUMIDITÀ**

Toccare il pulsante dell'umidità per controllare l'umidità dell'ambiente, toccare nuovamente questo pulsante per impostare l'umidità. L'intervallo di impostazione è l'umidità è 80%-75%-65% ... 40%-35%-30%. Dopo aver impostato 3 secondi, il sistema conferma il valore inserito, quindi l'unità esce dal modo di impostazione e visualizza l'umidità attuale. Nella modalità di deumidificazione, l'umidità impostata non può essere modificata.



### **VELOCITÀ DELLA VENTOLA (SPEED)**

In modalità di deumidificazione automatica (AUTO) e modalità di asciugatura (CONTINUO), premere questo tasto per modificare la velocità. Velocità: Bassa velocità / Alta velocità. Per il corretto funzionamento dell'apparecchio, la ventola funziona in modo continuo fino all'arresto.



### **FUNZIONE DI ASCIUGATURA INTERNA**

Premere il tasto INTERNO ASCIUGATURA per avviare la funzione di asciugatura interna prima di spegnere l'unità. Questa funzione impedisce la formazione di muffa all'interno del dispositivo a causa dell'umidità residua dopo l'arresto.



### **DISPLAY**

In modalità di deumidificazione automatica (AUTO) o in modalità asciugatura tessile (CONTINUO), indicherà l'umidità effettiva della stanza, l'umidità impostata e in modalità TIMER indicherà l'orario impostato in ore.



### **ALLARME SERBATOIO D'ACQUA PIENO - Drenaggio manuale**

- **Indicatore del serbatoio dell'acqua**

Quando il serbatoio dell'acqua è pieno (l'indicatore del livello dell'acqua nel serbatoio può

essere visivamente visualizzato in qualsiasi momento), finché non viene scaricato, l'unità smetterà di funzionare sotto l'azione del galleggiante nel serbatoio, un segnale acustico suonerà 10 volte brevemente e verrà visualizzato il messaggio "FL" e il LED rosso del serbatoio pieno. Rimuovere il serbatoio dell'acqua dal dispositivo e svuotarlo dall'acqua. Reinstallare il serbatoio di scarico dell'acqua e il deumidificatore si riavvierà.

- **Cancell allarme**

Quando il ronzio è attivo, premere un pulsante qualsiasi per interromperlo. Il compressore e la ventola si spengono e tutte le funzioni si bloccano fino a svuotare il serbatoio dell'acqua e riportarlo nella posizione corretta.

## B. Drenaggio

Esistono due modi per rimuovere l'acqua raccolta prodotta dall'unità.

A. Scarico manuale: il serbatoio dell'acqua viene rimosso manualmente.

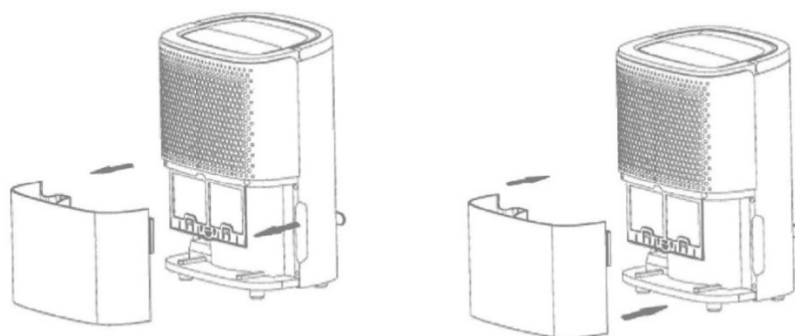
B. Scarico continuo: collegare un tubo di scarico all'unità in modo che l'acqua di condensa venga scaricata usando la gravità.

## C. Svuotare il serbatoio dell'acqua

L'unità si spegne quando il serbatoio dell'acqua è pieno. Funzionerà di nuovo dopo aver svuotato il serbatoio dell'acqua e averlo reinstallato correttamente. Quando il serbatoio è pieno, l'unità emetterà un ronzio e il LED "Water Full-FL" si accenderà.

- Premere il tasto POWER per spegnere l'unità.
- Tirare il serbatoio dell'acqua ed estrarlo dal corpo del deumidificatore.
- Svuotare l'acqua in un'area con uno scarico o all'esterno.
- Se necessario, pulire l'interno del serbatoio e l'esterno.
- Riposizionare il serbatoio vuoto nell'unità.
- Premere il tasto POWER per riavviare l'unità.

NOTA: Se il LED "Water Full" è ancora acceso, verificare che il galleggiante del serbatoio dell'acqua sia posizionato correttamente e privo di blocchi



#### D. Drenaggio continuo

Per il funzionamento continuo o la deumidificazione incustodita, collegare il tubo di scarico all'unità. La condensa viene scaricata liberamente in un secchio o in un foro di drenaggio usando la gravità. Rimuovere il tappo di gomma attaccato al connettore di scarico continuo dal retro del dispositivo prima di collegare il tubo. Rimuovere il serbatoio dell'acqua e bloccarlo con il tappo di gomma rimosso, il foro sulla parte anteriore del dispositivo, che normalmente scarica l'acqua nel serbatoio, in tal modo l'acqua viene diretta verso lo scarico attraverso la parte posteriore a cui collega il tubo di scarico.

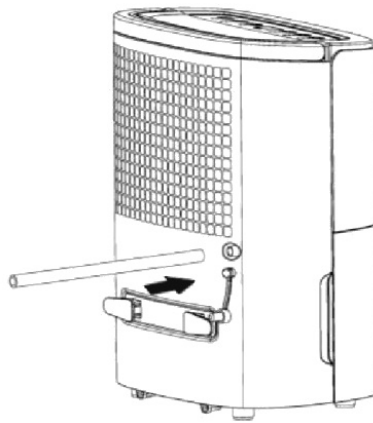
Collegare un tubo di scarico dell'acqua (incluso nella confezione) sul retro del dispositivo (diametro interno del connettore: 9 mm), l'acqua può essere scaricata continuamente.

Verifica che il

il tubo flessibile è correttamente collegato al foro di drenaggio per evitare perdite d'acqua accidentali

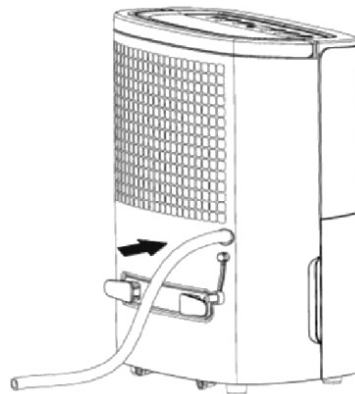
- Posizionare l'unità su una superficie orizzontale e stabile.
- Spegnerne l'unità prima di metterla in funzione.

Rimuovere il tappo del foro di scarico dell'acqua e conservarlo in un luogo sicuro.



Uscita di drenaggio continuo

- Collegare saldamente e correttamente il tubo di scarico e assicurarsi che non sia ostruito.
- Collocare l'estremità del tubo di scarico in un foro di drenaggio o in un secchio e assicurarsi che l'acqua possa defluire liberamente dall'unità.
- Non immergere l'estremità del tubo in acqua; altrimenti può causare "Air Lock" (blocco dell'aria) nel tubo.



#### Per evitare la fuoriuscita di acqua:

- Poiché la pressione negativa della vaschetta di scarico della condensa è elevata, inclinare il tubo di scarico verso il basso verso il pavimento. È opportuno che il grado di inclinazione superi i 20 gradi.
- Raddrizzare il tubo per evitare la flessione.

#### D. Funzione antigelo

Questa funzione verrà attivata quando la temperatura ambiente scende sotto i 16 °C. Il display mostrerà „P1“. Sarà attivato per un periodo di 8 minuti ogni 38 minuti tra 2-12 °C. Sarà anche attivato per un periodo di 5 minuti ogni 60 minuti tra 12-16 °C.

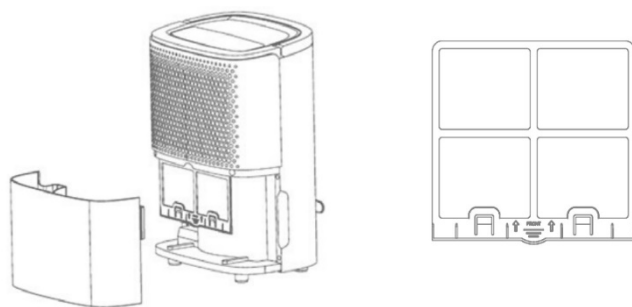
## 6. MANUTENZIONE

### PULIRE IL FILTRO DELL'ARIA

Pulire il filtro almeno due volte al mese o quando necessario. I depositi accumulati su un filtro sporco possono essere assorbiti dal ventilatore, quindi rimanere attaccati all'evaporatore, al condensatore e ad altri componenti all'interno dell'unità, il che può ridurre l'efficienza dell'unità e portare a vari malfunzionamenti che non sono coperti dalla garanzia.

Se si trovano depositi all'interno dell'unità, contattare il servizio di assistenza autorizzato più vicino per la pulizia professionale. Non eseguire operazioni di pulizia interna (diverse dalla pulizia e dal lavaggio del filtro lavabile) da soli. Contattare sempre personale tecnico qualificato.

- a) Rimuovere la griglia del filtro e togliere il filtro.



- b) Utilizzare un aspirapolvere per assorbire delicatamente la polvere sulla superficie del filtro. Se il filtro è molto sporco, lavarlo con acqua e un detergente morbido e asciugarlo accuratamente. Pulire le superfici del dispositivo con un panno umido. Non utilizzare prodotti abrasivi o spugnette abrasive.
- c) Riposizionare il filtro nella sua posizione iniziale, che si trova nella parte posteriore dell'unità.

## 7. RISOLUZIONE DEI PROBLEMI

### A. FUNCTIONING DI FUNZIONAMENTO

**5°C ≤ Temperatura ambiente ≤ 35°C** Quando la temperatura ambiente è inferiore o superiore alla temperatura di funzionamento, il deumidificatore si arresta.

**When 5°C ≤ Temperatura Ambiente ≤ 16°C**, il compressore si scongela automaticamente a determinati intervalli; durante lo sbrinamento, il compressore si arresta e la ventola continua a funzionare.

### B. PRIMA DI CHIAMARE L'ASSISTENZA

Prima di contattare l'assistenza professionale, consultare l'elenco di risoluzione dei problemi che include eventi comuni che non sono il risultato di un difetto nella lavorazione o nei materiali.

Problem	Possible Cause	Solution
L'unità non funziona	Assenza di corrente.	Collegare l'unità a una presa di corrente e accenderla
	L'indicatore "Water Full" è acceso	Svuotare il serbatoio dell'acqua e rimetterlo nel posto giusto.
	Temperatura ambiente <5°C or >35°C	Sistema di protezione installato per proteggere l'unità. L'unità non può funzionare a tale temperatura.
Malfunzionamento	Il filtro dell'aria è bloccato?	Pulire il filtro dell'aria come spiegato in questo manuale
	È bloccato ingresso o uscita dell'aria?	La rimozione di qualsiasi cosa ostruisce l'ingresso o l'uscita dell'aria.
L'ingresso dell'aria non consente il passaggio dell'aria	Il filtro è bloccato?	Pulire il filtro
L'unità emette rumori durante il funzionamento	L'unità è posizionata su una superficie piana e orizzontale	Posizionare l'unità correttamente
	Il filtro è bloccato?	Pulire il filtro
La	La temperature ambiente o	Rimuovere cia che ostruisce ii blocco o

deumidificazione e insufficiente.	L'umidità è troppo bassa. L'ingresso dell'aria o l'uscita dell'aria sono ostruite.	lo sporco.
Perdita di acqua.	Il tubo di scarico non è inserito correttamente.	Assicurarsi che il tubo sia ben fissato.
	Il tubo è bloccato.	Pulire il tubo.

## 8. SMALTIMENTO DEL PRODOTTO

### A. STOCCAGGIO

Conservazione a lungo termine – Se non si intende utilizzare l'unità per un lungo periodo di tempo (più di alcune settimane), è meglio pulire l'unità e asciugarla completamente. Conservare l'unità per i seguenti passaggi:

- h) Premere il pulsante di accensione per spegnere e scollegare l'unità.
- i) Scaricare l'acqua rimanente dall'unità.
- j) Pulire il filtro e lasciarlo asciugare completamente in un'area ombreggiata.
- k) Avvolgere il cavo di alimentazione.
- l) Reinstallare il filtro nella sua posizione.
- m) L'unità deve essere mantenuta in posizione verticale durante lo stoccaggio.
- n) Preservare l'unità in luoghi ventilati, asciutti, non corrosivi e sicuri.

**ATTENZIONE:** L'evaporatore all'interno del deumidificatore, dovrebbe essere asciugato prima dell'imballaggio per evitare danni ai componenti e la crescita di muffe. Scollegare l'unità e posizionarla in uno spazio aperto e asciutto per giorni per asciugare bene. Un altro modo per asciugare l'unità è impostare il livello di umidità al 5% sopra l'umidità ambientale, per forzare la ventola ad asciugare l'evaporatore per alcune ore.

### B. SMALTIMENTO



**AVVERTIMENTO!!!** Se sul prodotto è presente la figura a sinistra (il cassetto dei rifiuti mobile sbarrato), si applica la direttiva europea 2012/19/UE. Non rilasciare il refrigerante in atmosfera. È severamente vietato! Non gettare le apparecchiature elettriche tra i rifiuti urbani non differenziati. Utilizzare strutture di raccolta separate. Contattare il governo locale per informazioni relative ai sistemi di raccolta disponibili. Se gli apparecchi elettrici vengono smaltiti insieme ai rifiuti domestici, le sostanze pericolose possono penetrare nelle acque sotterranee, danneggiando la salute e il benessere delle persone.

# HU:TARTALOM

1.	MIELŐTT ELKEZDED	122
2.	BIZTONSÁGI ÓVINTÉZKEDÉSEK A SZERVIZTEL SORÁN	124
3.	TERMÉK ÁTTEKINTÉS	129
4.	TELEPÍTÉS	130
5.	MŰKÖDÉS	132
6.	KARBANTARTÁS	135
7.	HIBAELHÁRÍTÁS	135
8.	LESZERELÉS	136

Köszönjük, hogy párátlanítónkat választotta.

Használat előtt feltétlenül olvassa el figyelmesen ezt a kézikönyvet.

*Kérjük, gondosan őrizze meg ezt a kézikönyvet további hivatkozás céljából!*

# 1. ELŐTT KEZDETE

**Kérjük, figyelmesen olvassa el a használati utasítást, mielőtt a párátlanítót első alkalommal használja.**

## A. TERMÉKLEÍRÁS

A párátlanító a túlzott nedvesség eltávolítására szolgál a levegőből. A relatív páratartalom ebből eredő csökkenése megvédi az épületeket és azok tartalmát a túlzott páratartalom káros hatásaitól. FIGYELMEZTETÉS: Az egység impedanciája nem haladhatja meg a 0,236 ohmot. Ezen követelmények be nem tartása az áramszolgáltató hatóságok általi korlátozásokat vonhat maga után. Ha az elektromos impedancia meghaladja a 0,236 ohmot, forduljon a helyi áramszolgáltatóhoz.

A környezetbarát R290 hűtőközegként szolgál. Az R290-nek nincs káros hatása az ózonrétegre (ODP), elhanyagolható üvegházhatás (GWP), és világszerte elérhető. Hatékony energiatulajdonságai miatt az R290 kiválóan alkalmas hűtőfolyadéként ehhez az alkalmazáshoz. Különleges óvintézkedéseket kell figyelembe venni a hűtőfolyadék nagy gyúlékonysága miatt.

## B AZ EGYSÉGEN ÉS A FELHASZNÁLÓI ÚTMUTATÓN TALÁLHATÓ SZIMBÓLUMOK



**Figyelem!**

Ez az egység gyúlékony hűtőközeget használ.

Ha a hűtőközeg szivárog és érintkezik a tűzzel vagy a fűtött részekkel, akkor az káros gázokat termel, és tűzveszélyes.



Használat előtt figyelmesen olvassa el a FELHASZNÁLÓI ÚTMUTATÓT.



További információk a FELHASZNÁLÓI ÚTMUTATÓBAN, SZERVIZKÖNYVBEN és hasonlóknak találhatók.



A szerviz személyzetnek gondosan el kell olvasnia a FELHASZNÁLÓI ÚTMUTATÓT és a SZERVIZ KÉZIKÖNYVET használat előtt.



## C. A BIZTONSÁG ÉRDEKÉBEN MINDIG FIGYELJÜK A KÖVETKEZŐKRE

Minden hűtőközeggel vagy hűtőkörrel dolgozó személynek rendelkeznie kell a szakterületen illetékes, akkreditált értékelő hatóság által kiadott érvényes tanúsítvánnyal, amely lehetővé teszi a hűtőközegek biztonságos kezelését a területen elismert értékelési előírások szerint.

- Vegye figyelembe a környezet védelmét, amikor eltávolítja az egység csomagolását és magát az egységet hasznos élettartama végén.
- A készüléket jól szellőző helyen kell tárolni, ahol a helyiség mérete összhangban van az üzemi feltételekkel.
- A készüléket úgy kell tárolni, hogy ne keletkezzen mechanikai sérülés.
  - Információk azokról a terekről, ahol a hűtőközegcsövek megengedettek:
    - a csövek beépítését minimálisra kell csökkenteni;
    - a csöveket védeni kell a fizikai sérülésektől, és gyúlékony hűtőközegek esetén jól szellőző helyen kell elhelyezni;
    - a nemzeti gázszabályozásnak való megfelelés;
    - a mechanikus csatlakozásoknak hozzáférhetőnek kell lenniük a karbantartáshoz;
    - gyúlékony hűtőközeget tartalmazó egységek esetében a helyiség minimális területét táblázatban vagy egyetlen ábrával kell feltüntetni, képletre való hivatkozás nélkül;
- A szellőzőnyílásokat szabadon kell hagyni.
- Bármilyen szervizbeavatkozást csak a gyártó ajánlásainak megfelelően hajtanak végre;
- A készülékekhez csatlakoztatott csövek nem tartalmazhatnak potenciális tűzforrást;
- Amikor a hordozható légkondicionáló vagy páratlanító be van kapcsolva, a ventilátor normál körülmények között folyamatosan működhet, így biztosítva a 80 m<sup>3</sup>/h minimális légmennyiséget, még akkor is, ha a kompresszor a hőmérséklet-szabályozó miatt zárva van.
- Ne perforálja vagy égesse el.
- Csak a gyártó által javasolt eszközöket használja a leolvasztáshoz vagy tisztításhoz
- Ne perforálja a hűtőkör egyik alkatrészét sem. A hűtőgáz szagtalan lehet.
- Óvatosan tárolja a készüléket a mechanikai sérülések elkerülése érdekében.
  - Csak az akkreditált ügynökség által felhatalmazott, szakértelmüket igazoló személyek kezelhetnek hűtőközeget a helyi jogszabályoknak megfelelően.
- Minden javítást a gyártó ajánlásai szerint kell elvégezni.
- A szakképzett személyzet segítségét igénylő karbantartásokat és javításokat a gyúlékony hűtőközegek használatával foglalkozó szakemberek felügyelete mellett kell elvégezni.
- Ne perforálja a hűtőkör egyik alkatrészét sem. A hűtőközeg szagtalan lehet.

További figyelmeztetések az R290 hűtőközeget használó egységre vonatkozóan (a használt hűtőközeg típusát lásd a műszaki adattáblán).



**Figyelem!**

A KÉSZÜLÉK HASZNÁLATA ELŐTT FIGYELMESEN OLVASSA EL A KÉZIKÖNYVET.

Az R290 hűtőközeg megfelel a környezetvédelemre vonatkozó európai irányelveknek.

**A Turbionaire Smart 8 Eco/ Smart 10 Eco körülbelül 40 g R290 hűtőközeget tartalmaz.**

**A Turbionaire Smart 12 Eco körülbelül 55 g R290 hűtőközeget tartalmaz.**

**A Turbionaire Smart 14 Eco körülbelül 52 g R290 hűtőközeget tartalmaz.**

**A Turbionaire Smart 16M körülbelül 62 g R290 hűtőközeget tartalmaz.**

Az egységet 4 m<sup>2</sup>-nél nagyobb helyiségben kell felszerelni, használni és tárolni.

A FIGYELMEZTETÉS MEGszegésének elmulasztása ROBBANÁST, HALÁLT, SÉRÜLÉST ÉS TÁRGYI KÁROT VEZETHET

## 2. BIZTONSÁGI ÓVINTÉZKEDÉSEK A SZERVIZTEL SORÁN



**Az Ön biztonsága a legfontosabb számunkra!**

Kérjük, figyelmesen olvassa el ezt a kézikönyvet, és értse meg teljesen, mielőtt a párátlanítót üzembe helyezné.



Minden olyan személynek, aki részt vesz a hűtőközeg-körön végzett munkában vagy annak feltörésében, rendelkeznie kell egy, az iparágban akkreditált értékelő hatóság által kiadott érvényes tanúsítvánnyal, amely felhatalmazza a szakértelmét a hűtőközegek biztonságos kezelésére az iparági, elismert értékelési előírásoknak megfelelően.



A szervizelést csak a berendezés gyártója által javasolt módon szabad elvégezni. A más szakképzett személyzet segítségét igénylő karbantartást és javítást a gyúlékony hűtőközegek használatában jártas személy felügyelete mellett kell elvégezni. Ha valamit nem ért, vagy segítségre van szüksége, kérjük, forduljon a márkaszervizhez

Kérjük, kövesse ezeket a figyelmeztetéseket, amikor a következőket kell tennie egy R290-es párátlanító szervizelésekor.

### 1. A munkaterület ellenőrzése

A tűzveszélyes hűtőközegeket tartalmazó rendszereken végzett munkák megkezdése előtt biztonsági ellenőrzéseket kell végezni a tűzveszély csökkentése érdekében. A hűtőrendszer javításához a következő óvintézkedéseket kell betartani, mielőtt a rendszeren munkálatokat végezne.

### 2. A munkafolyamat

A munkákat ellenőrzött eljárással kell elvégezni, hogy minimálisra csökkentsék a gyúlékony gázok vagy gőzök kiszivárgásának kockázatát a munkafolyamatok során.

### 3. Az általános munkaterület

Minden karbantartó személyzetet és a szomszédos helyeken dolgozó többi személyt ki kell képezni a munkájuk jellegére vonatkozóan. Kerülni kell a zárt térben végzett munkát. A munkaterület körüli terület le lesz határolva. A gyúlékony anyagok ellenőrzésével gondoskodjon a biztonsági feltételek betartásáról a munkaterületen.

#### **4. A hűtőközeg jelenlétének ellenőrzése**

A munkavégzés előtt és közben a területet megfelelő hűtőközeg-érzékelővel ellenőrizni kell, hogy megbizonyosodjon arról, hogy a technikus tisztában van a potenciálisan gyúlékony légkörrel. Győződjön meg arról, hogy a használt szivárgásérzékelő berendezés gyúlékony hűtőközegek keletkezésére alkalmas, azaz szikraálló, megfelelően védett vagy lezárt.

#### **5. A tűzoltó készülék megléte**

Abban az esetben, ha fűtési munkákat kell végezni a hűtőrendszerben vagy bármely kapcsolódó részében, megfelelő tűzoltó felszerelésnek mindig rendelkezésre kell állnia. Győződjön meg arról, hogy száraz por vagy CO2 tűzoltó készülék van a munkaterület mellett.

#### **6. Tilos nyílt láng forrása**

A gyúlékony hűtőközeggel közvetlenül érintkező hűtőrendszerben dolgozó személyek nem használhatnak nyílt lángforrást, ellenkező esetben jelentősen megnövelik a tűz vagy robbanás kockázatát. Minden gyújtóforrást, beleértve a cigarettát is, kellően távol kell tartani a beszerelés, javítás, eltávolítás és ártalmatlanítás helyétől, amely során a gyúlékony hűtőközeg kiszabadulhat a környező területre. Mielőtt ilyen berendezésen dolgozna, ellenőrizni kell a környező területet, hogy megbizonyosodjon arról, hogy nincs gyulladásveszély. Ezenkívül meg kell jelennie a „Tilos a dohányzás” üzenetnek.

#### **7. Szellőztetett terület**

Győződjön meg arról, hogy van egy nyitott vagy jól szellőző hely, mielőtt elkezdené dolgozni a hűtőrendszeren vagy bármilyen fűtési munkát végezne. A ventilátor jelenléte a munka során kötelező. Szellőztetéssel minden kiszabaduló hűtőfolyadékot biztonságosan el kell oszlatni, és lehetőleg ki kell juttatni a légkörbe.

#### **8. A hűtőberendezés ellenőrzése**

Ha az elektromos alkatrészeket kicserélik, azoknak meg kell felelniük a műszaki előírásoknak. Szigorúan tartsa be a gyártó karbantartási és szervizelési utasításait. Ha kétségei vannak, kérjen segítséget a gyártó műszaki osztályától.

A gyúlékony hűtőközeget használó berendezésekre a következő ellenőrzések vonatkoznak: - a rakomány mennyisége összhangban van annak a helyiségnek a méretével, ahol a hűtőközeget tartalmazó alkatrészeket felszerelik;

-a ventilátorok és a levegőkimenetek megfelelően működnek és nincsenek elzárva;

-közvetett hűtőkör használata esetén a szekunder kört ellenőrizni kell, hogy nem tartalmaz-e hűtőközeget;-A berendezés jelölésének láthatónak kell lennie. Az

olvashatatlan jelzéseket és szimbólumokat kijavítjuk;

- A hűtőberendezés csöveit vagy alkatrészeit olyan helyre kell elhelyezni, ahol nem valószínű, hogy olyan anyagoknak vannak kitéve, amelyek korrodálhatják a hűtőközeget tartalmazó alkatrészeket, kivéve, ha az alkatrészek korrózióálló anyagokból vagy megfelelően védett anyagokból készültek a korrózió ellen.

#### **9. Elektromos készülékek ellenőrzése**

Az elektromos alkatrészek javításának és karbantartásának magában kell foglalnia a kezdeti biztonsági ellenőrzéseket és az alkatrészek ellenőrzési eljárásait. Ha olyan hiba lép fel, amely veszélyeztetheti a biztonságot, az áramkört nem szabad semmilyen áramforráshoz csatlakoztatni, amíg a hibát kielégítően nem kezelik. Ha a hibát nem lehet azonnal kijavítani, de az üzemeltetés továbbra is szükséges, megfelelő ideiglenes megoldást kell alkalmazni.

Ezt jelenteni kell a berendezés tulajdonosának, hogy minden fél értesüljön. A kezdeti biztonsági ellenőrzéseket akkor kell elvégezni, ha:

- a kondenzátorok lemerülnek: ezt biztonságos módon kell elvégezni, hogy elkerüljék a szikraképződést;
- az elektromos alkatrészek és az elektromos kábelek ne legyenek szabadon az üzem töltése, felújítása vagy tisztítása során;
- van földelési folytonosság.

#### **10. Lezárt tételek javítása**

A lezárt tételek javítása közben minden áramforrást le kell választani azokról a berendezésekről, amelyeken be kell avatkozni, a lezárt kupakok eltávolítása, stb. a legkritikusabb ponton kell figyelembe venni, hogy potenciálisan veszélyes helyzet esetén figyelmeztessen.

Különös figyelmet kell fordítani a következő szempontokra annak érdekében, hogy az elektromos alkatrészekon végzett munka során a házat ne módosítsák oly módon, hogy az befolyásolja a védelmi szintet. Ide tartozik a kábel sérülése, a túl sok csatlakozás, az eredeti specifikációnak nem megfelelő kapcsok, a tömítések sérülései, a tömítések nem megfelelő rögzítése stb.

Győződjön meg arról, hogy a készülék biztonságosan fel van szerelve.

Gondoskodjon arról, hogy a tömítések vagy a tömítőanyagok ne romoljanak el úgy, hogy többé ne használják őket gyúlékony gázok behatolásának megakadályozására. A pótalkatrészeknek meg kell felelniük a gyártó specifikációinak.

#### **11. A gyújtószikramentes alkatrészek javítása**

Ne használjon állandó induktív vagy kapacitív terhelést az áramkörben anélkül, hogy megbizonyosodna arról, hogy azok nem haladják meg a használt berendezés feszültségét és teljesítményét. A gyújtószikramentes alkatrészek az egyedüli típusok, amelyekkel gyúlékony atmoszféra jelenlétében meg lehet dolgozni. A vizsgálóberendezést helyesen kell értékelni. Az alkatrészeket csak a gyártó által meghatározott alkatrészekre cserélje. Más alkatrészek szivárgás miatt a légkörben lévő hűtőközeg meggyulladását okozhatják.

#### **12. Kábelek**

Ellenőrizze, hogy a kábelek nincsenek-e kitéve kopásnak, korróziónak, túlzott nyomásnak, rezgésnek, éles széléknek vagy egyéb káros környezeti hatásnak. Az ellenőrzés során figyelembe kell venni az idő múlásával bekövetkező romlás vagy az olyan forrásokból származó folyamatos rezgések hatásait is, mint a kompresszorok vagy a ventilátorok.

#### **13. Tűzveszélyes hűtőközegek észlelése**

A hűtőközeg-szivárgás keresésekor vagy észlelésekor semmilyen körülmények között nem szabad potenciális gyújtóforrást használni. Ne használjon halogén villanót (vagy más nyílt lángot használó detektort).

14. Eltávolítás és ártalmatlanítás Ha a hűtőközeg áramkörébe javítás céljából – vagy bármilyen más célra – beavatkozunk, a hagyományos eljárásokat kell alkalmazni. A hűtőközegek esetében azonban fontos betartani a legjobb gyakorlatokat, mivel nagy a tűzveszély. Tartsa be a következő eljárást:

- Távolítsa el a hűtőközeget;
- Öblítse ki az áramkört inert gázzal;
- Drain;
- Öblítse újra inert gázzal;
- Nyissa meg az áramkört vágással vagy forrasztással.

A hűtőközeg mennyiségét a megfelelő visszanyerő hengerekben nyerik vissza. A hűtőközeget tartalmazó egységek esetében a rendszert OFN-nel át kell öblíteni az egység védelme érdekében. Ez a folyamat többször megismételhető. Ne használjon sűrített levegőt vagy oxigént ehhez az eljáráshoz. A mosás az üzemi nyomás eléréséig OFN (oxigénmentes nitrogén) erőltetett bejuttatásával történik a rendszerbe, majd a légkörbe való kiszellőztetés és végül aspiráció következik. Ezt a folyamatot addig ismételjük, amíg a hűtőközeg el nem távozik a rendszerből. Az OFN végső mennyiségének felhasználásakor a rendszert légköri nyomáson kell szellőztetni, hogy lehetővé tegyék a munkálatok elvégzését. Ez a művelet létfontosságú, ha a csövek keményforrasztási műveleteit végre kell hajtani. Győződjön meg arról, hogy a vákuumszivattyú alzata nincs közel a nyílt lángforrásokhoz, és hogy rendelkezésre áll a szellőzés.

### **15.Kitöltési eljárások**

A hagyományos töltési eljárásokon kívül a következő követelményeket kell betartani:

- A töltőberendezés használatakor ügyeljen arra, hogy a különböző hűtőközegek ne szennyeződjenek. A tömlőknek a lehető legrövidebbeknek kell lenniük, hogy minimalizáljuk a bennük lévő hűtőközeg mennyiségét.
  - A hengereket függőlegesen kell tartani.
  - Győződjön meg arról, hogy a hűtőrendszer földelve van, mielőtt feltölti a rendszert hűtőközeggel.
  - Cimkézze fel a rendszert, miután feltöltötte hűtőközeggel (ha még nincs felcímkézve).
  - Ne terhelje túl a hűtőrendszert. A rendszer újratöltése előtt OFN-nel tesztelni kell. A töltési folyamat befejezésekor, de az egység üzembe helyezése előtt ellenőrizni kell a rendszer szivárgását. A feltöltés után végezzen szivárgás-észlelési tesztet.
- 16.LeszzerelésAz eljárás elvégzése előtt elengedhetetlen, hogy a technikus teljesen ismerje a berendezést és annak minden alkatrészét. Javasoljuk az összes hűtőközeg biztonságos visszanyerését. Az eljárás végrehajtása előtt olaj- és hűtőközegmintát vesznek, ha a regenerált hűtőközeg újbóli felhasználása előtt elemzésre van szükség. Az eljárás megkezdése előtt elengedhetetlen, hogy a tápegység rendelkezésre álljon a. Ismerkedjen meg a berendezéssel és működésével.
- b. Szigetelje le a rendszert elektromos szempontból.
  - c. Mielőtt folytatná, győződjön meg a következőkről:
  - d. Ha a hűtőfolyadék-palackok mozgatásához szükséges, mechanikus kezelőberendezés áll rendelkezésre;
  - e.Minden egyéni védőfelszerelés rendelkezésre áll és megfelelően használják;
  - f) a helyreállítási folyamatot állandóan egy szakképzett személy felügyeli;
  - g.A visszanyerő berendezés és a palackok megfelelnek a megfelelő szabványoknak.
  - h. Ha lehetséges, engedje le a hűtőrendszert.
  - én. Ha a szívás nem lehetséges, használjon gyűjtőt, hogy a hűtőközeget el lehessen távolítani a rendszer különböző részeiről.
  - j. Győződjön meg arról, hogy a henger függőleges helyzetben van, mielőtt helyreállítja.
  - k. Indítsa el a helyreállító gépet, és használja a gyártó utasításai szerint.
  - l. Ne töltse meg a hengereket. (Nem haladhatja meg a folyadék mennyiségének 80%-át).
  - m. Ne lépje túl a henger maximális üzemi nyomását, még átmenetileg sem.

n. When the cylinders have been correctly loaded and the process has been completed, make sure that the cylinders and the equipment are quickly removed from the working area and that all the insulation valves of the equipment are closed.

o. The recovered refrigerant must not be loaded into another cooling system unless it has been cleaned and checked.<sup>17</sup> Labelling The equipment must be labelled with the mention that it has been dismantled and emptied by the refrigerant. The label must be dated and signed. Ensure that there are labels on the equipment showing that the equipment contains flammable refrigerant.

#### 18.Recovery

When performing the procedure of removing the refrigerant from a system, either for service or for decommissioning, it is recommended that all refrigerants are safely removed. When transferring the refrigerant to cylinders, make sure that only the recovery cylinders are used for the refrigerant. Ensure that the correct number of cylinders is available to take up the total quantity of the refrigerant in the system. All cylinders to be used are intended for the recovered refrigerant and labelled for the respective refrigerant (i.e. special cylinders for the recovery of the refrigerant). The cylinders must be equipped with the pressure valve and the associated shut-off valves in good working order. Drained recovery cylinders are evacuated and, if possible, cooled before recovery.

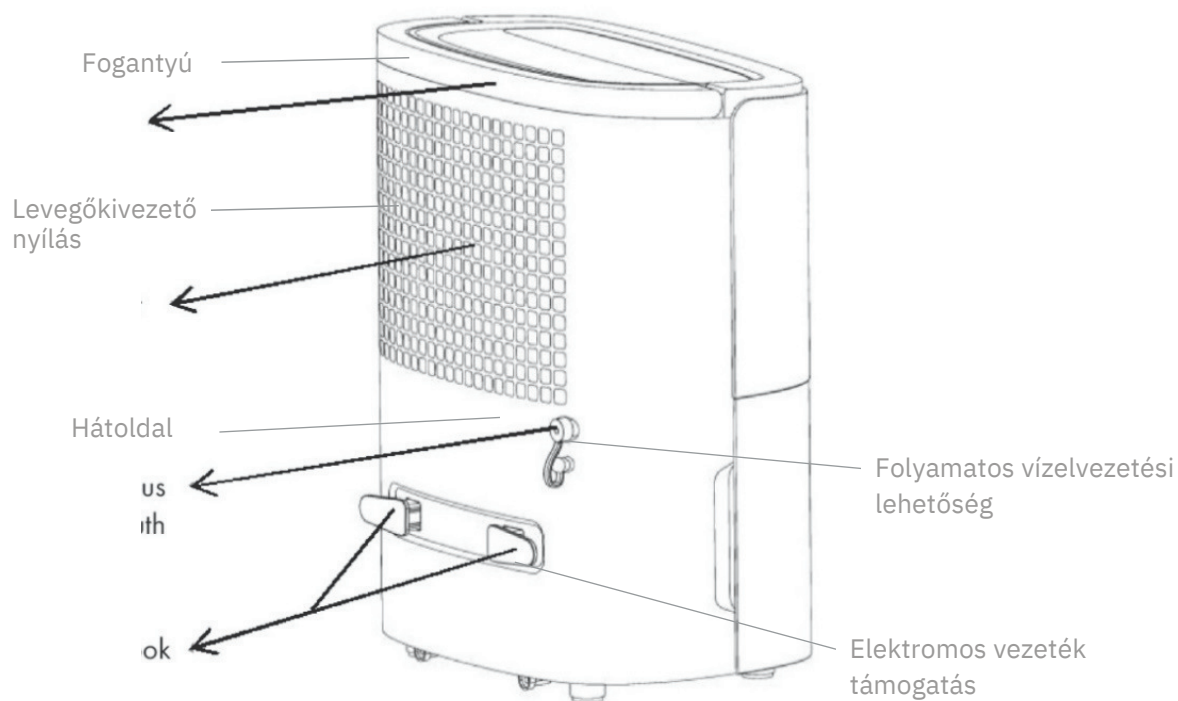
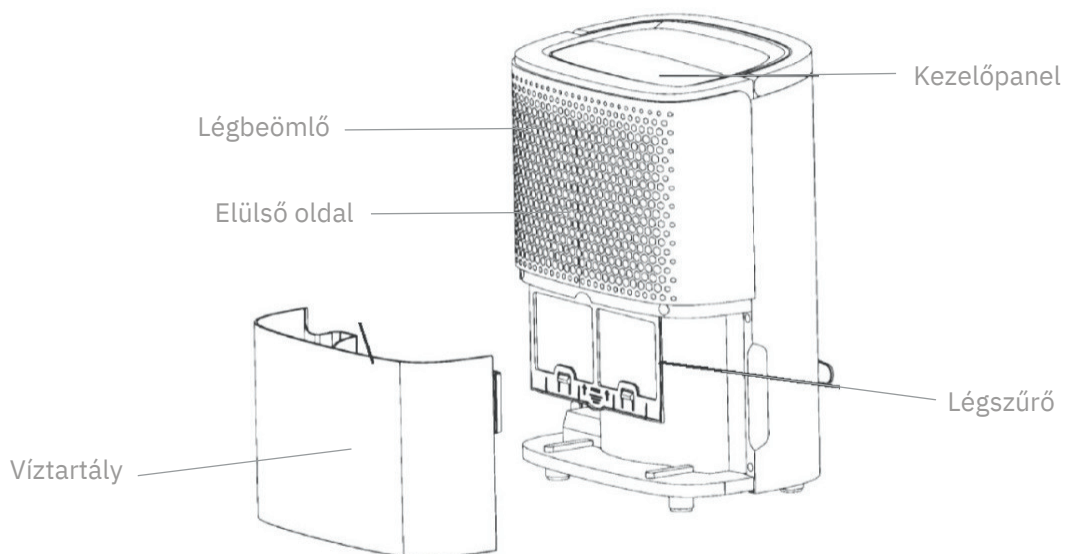
The recovery equipment must be in good working order, provided with a set of available equipment instructions and be suitable for the recovery procedure of flammable refrigerants. In addition, a set of calibrated scales must also be available in good working order. Hoses must be equipped with connection mechanisms without leakage and in good condition. Before using the recovery machine, make sure it is in good working condition, that it was properly maintained and that all associated electrical components are sealed to prevent ignition when a coolant is released. Consult the manufacturer if in doubt. The recovered refrigerant will be accordingly returned to the supplier of the refrigerant in the recovery cylinder and the note referring to the transfer of waste will be prepared. Do not mix coolants in the recovery units and especially not in the cylinders. If the compressors or the oils in the compressors have to be removed, make sure they have been discharged to an acceptable level to ensure that the flammable refrigerant does not remain in the lubricant. The evacuation process must be carried out before returning the compressor to the suppliers. Only use electrical heating of the compressor body to accelerate this process. When the oil is removed from a system, this must be performed in safety conditions.

Initial safety checks shall include:

- Those capacitors are discharged: this shall be done in a safe manner to avoid possibility of sparking;
- That there no live electrical components and wiring are exposed while charging, recovering or purging the system;
- That there is continuity of earth bonding

### 3. A TERMÉK ÁTTEKINTÉSE

#### A. ELŐLŐ ÉS VISSZA NÉZET





## B. JELLEMZŐK

- Erőteljes nedvességeltávolítás
- A páratartalom monitor mutatja a levegő aktuális páratartalmát
- Az automatikus mód automatikusan beállítja a páratartalom szintjét
- Hatékonyan távolítja el a nedvességet, port a levegőből
- Alacsony energiafogyasztás – energiatakarékos
- A csendes ventilátor két sebességbeállítással rendelkezik
- Automatikus leolvasztás alacsony hőmérsékleten
- Automatikus kikapcsolás/automatikus újraindítás
- Elektronikus vezérlés
- Ruhaszárítási funkció
- Folyamatos vízelvezetés
- 1,8 literes víztartály

## C. MŰSZAKI ELŐÍRÁSOK

MODELL	SMART 8 eco/ 10 eco/ 12 eco	SMART 14 eco/ 16 eco
Párátlanítási kapacitás	8/10/12 l/nap (30°C, 80%)	14/16 l/nap (30°C, 80%)
Tápegység	AC220 - 240V/50Hz	AC220 - 240V/50Hz
Energiafelhasználás	200W/1,1A	250 W/ 1.4A
Zaj	≤40dB(A)	≤40dB(A)/ ≤43dB(A)
Víztartály kapacitása	1,8 liter	1,8 liter
Maxi. Hűtőközeg töltés	R290/ 40g/ 40g/ 55g	R290/ 52g/ 62g
Nettó tömeg	10 kg / 10 kg / 10,5 kg	10,5 kg / 11,5 kg
Min. szobaméret	4 m <sup>2</sup> (alapterület)	4 m <sup>2</sup> (alapterület)
Méreték	296x416x217 mm	296x416x217 mm

## 4. TELEPÍTÉS

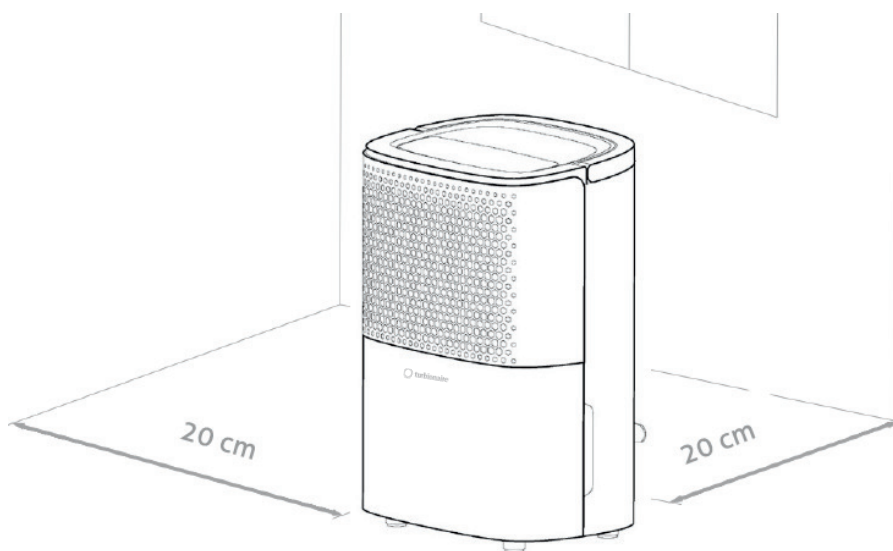
### A. A PÁRÁTARTÓ ELHELYEZÉSE

Helyezze a készüléket szilárd, vízszintes felületre olyan helyre, ahol legalább 30 cm szabad hely van körülötte, hogy biztosítsa a megfelelő légáramlást.

#### **Soha ne telepítse az egységet olyan helyre, ahol ki van téve:**

- Hőforrások, például radiátorok, hőregiszterek, kályhák vagy egyéb hőtermelő termékek.
- Olyan helyen, ahol olaj vagy víz fröccsenhet ki
- Közvetlen napfény
- Mechanikus vibráció vagy ütés
- Túl sok por
- A szellőzés hiánya, például szekrény vagy könyvespolc
- Egyenetlen felület



**FIGYELEM**

Telepítse a készüléket 4 m<sup>2</sup>-nél nagyobb helyiségekben.  
Ne helyezze a készüléket olyan helyre, ahol gyúlékony gáz szivároghat.

**JEGYZET**

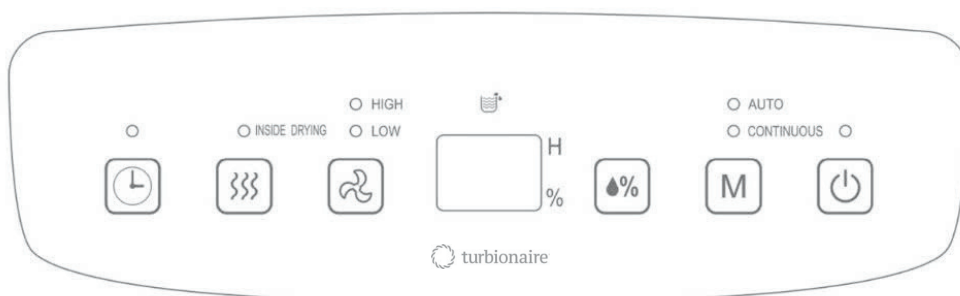
A gyártó kínálhat más megfelelő példát, vagy további információkat szolgáltat a hűtőközeg szagáról.

**B. A KÉSZÜLÉK BIZTONSÁGOS HASZNÁLATA**

- Kicsomagolás után ellenőrizze a készüléket, hogy nincs-e rajta sérülés vagy karc.
- A készüléket 5°C és 35°C közötti környezeti hőmérsékleten használja.
- Ne használja a szabadban. Ez a páratlanító beltéri használatra készült csak alkalmazások.
- Ne működtesse falak, függönyök vagy más olyan tárgyak közvetlen közelében, amelyek elzárhatják a be- és kimenetet.
- Tartsa akadálymentesen a levegő be- és kimenetét.
- Indítás előtt állítsa be a szélterelőt felfelé.
- Ha 45°-nál nagyobb szögben billen, hagyja, hogy az egység legalább 24 órán keresztül függőlegesen álljon az indítás előtt.
- Tartsa zárva az ajtókat és ablakokat a jobb energiamegtakarítás érdekében. Ne működtesse és ne tárolja a készüléket közvetlen napfényben vagy esőben. Normális, hogy a forró napokon történő folyamatos működés után a levegő kilépőnyílása melegen érezhető.
- A készülék mozgatása előtt ürítse ki a víztartályt.
- Győződjön meg arról, hogy a víztartály megfelelően van felszerelve, különben a készülék nem fog megfelelően működni.
- A páratlanító a legutóbbi használatkor kiválasztott üzemmódban indul el.
- A páratlanító megkezdja a páratlanítást, ha a helyiség páratartalma 3%-kal magasabb, mint a kiválasztott páratartalom.
- A kompresszor 3 perces védő késleltetést kapott. Várjon 3 percet, amíg a páratlanító folytatja a páratlanítást.

## 5. MŰKÖDÉS

### A. Vezérlőpult



#### **ERŐ**

Készenléti állapotban nyomja meg a bekapcsológombot a bekapcsoláshoz, a működésjelző világít, és az alapértelmezett ventilátorsebesség alacsony. Bekapcsolt állapotban nyomja meg a bekapcsológombot a kikapcsoláshoz, a működésjelző lámpa kialszik, és a kompresszor azonnal leáll.

#### **MÓD**

Auto mód - Folyamatos szárítási mód, egyszeri megnyomásával az üzemmódok között válthat, a megfelelő jelzőfény világít.

- Auto mód: Ebben az üzemmódban, ha a helyiség páratartalma meghaladja az 5%-ot, a kompresszor és a ventilátor elindul. Ha a helyiség páratartalma 5%-kal alacsonyabb a beállított páratartalomnál, a kompresszor leáll, és a ventilátor a kezdeti beállításnak megfelelően működik, és leolvassa a levegő páratartalmát. A kezdeti páratartalom 50%.
- Folyamatos szárítási mód - textilanyagok szárítási funkciója. Ebben a módban az egység a helyiség páratartalmától függetlenül működik. A kompresszor és a ventilátor működni fog, a ventilátor sebessége állítható. A gép tovább működik, de a páratartalom nem állítható.

#### **IDŐZÍTŐ**

Nyomja meg az időzítő gombot az 1-24 órás időzítés beállításához. Az intervallum 1 óra. Minden alkalommal, amikor megnyomja ezt a gombot, az érték 1 órával nő, majd a megfelelő időzítési érték jelenik meg a képernyőn. A beállítási érték „0” az időzítő funkció törléséhez. Kiderül a jelző. Az időzítő beállítása és befejezése után az időzítő LED világít az időzítési időszakban. Az időzítés lejártá után az időzítő LED-je automatikusan kikapcsol. Működési állapotban állítsa be a gép kikapcsolásának idejét; Készenléti állapotban állítsa be a gép bekapcsolásának idejét.

#### **PÁRA BEÁLLÍTÁSA**

Érintse meg a páratartalom gombot a környezet aktuális páratartalmának ellenőrzéséhez, érintse meg újra ezt a gombot, és beállíthatja a páratartalmat. A célpáratartalom tartománya a 80%-75%-65% ... 40%-35%-30%. 3 másodperc beállítás után a rendszer megerősíti a bevitt értéket, majd a gép kilép a beállítási állapotból, és visszaadja az aktuális páratartalmat. Szárítási módban a célpáratartalom nem módosítható.



### VENTILÁTOR SEBESSÉG

Automatikus páratlanítási módban (AUTO) és szárítási módban (FOLYAMATOS) nyomja meg ezt a gombot a ventilátor sebességének megváltoztatásához: Alacsony sebesség / Nagy sebesség. A készülék megfelelő működése érdekében a ventilátor folyamatosan működik, amíg le nem áll.



### BELSŐ SZÁRÍTÁSI FUNKCIÓ

Nyomja meg az INSIDE DRYING gombot a belső szárítási funkció elindításához, mielőtt kikapcsolná a készüléket. Ez a funkció megakadályozza a penészképződést a készülék belsejében a leállítás után visszamaradó nedvesség miatt.



### KIJELZŐ

automatikus páratlanítási módban (AUTO) vagy textilszárítási üzemmódban (FOLYAMATOS) a helyiség aktuális páratartalmát, a beállított páratartalmat, IDŐZÍTŐ üzemmódban pedig a beállított időt órákban jelzi.



### VÍZTARTÁLY MEGTELT RIASZTÁS – Kézi leeresztés

#### • Víztartály jelző

Amikor a víztartály megtelik (a tartályban lévő vízszintjelző bármikor vizuálisan megtekinthető), amíg le nem ürül, az egység leáll a tartályban lévő úszó hatására, röviden 10-szer sípol, és megjelenik az "FL" üzenet és a piros LED tartály LED megtelt. Vegye ki a víztartályt a készülékből, és ürítse ki a vízből. Helyezze vissza a vízleeresztő tartályt, és a páratlanító újraindul.

#### • Törölje a riasztást

Ha be van kapcsolva a hang, nyomja meg bármelyik gombot a leállításához. A kompresszor és a ventilátor leáll, és az összes funkció lefagy, amíg a víztartály ki nem ürül és vissza nem tér a megfelelő helyzetbe.

## B. Vízvezetés

Az egység által termelt összegyűjtött víz eltávolításának két módja van.

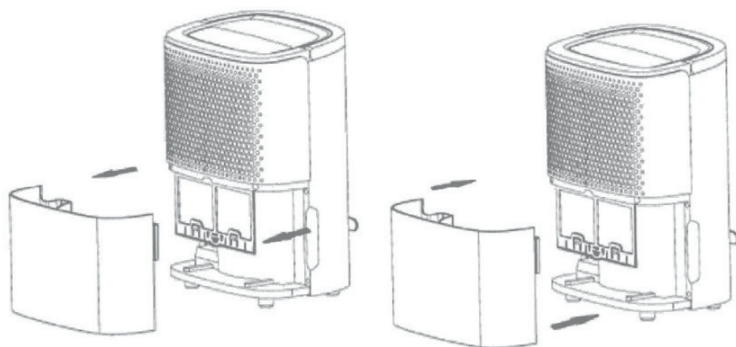
- 1.Kézi leeresztés: a víztartályt kézzel kell eltávolítani.
2. Folyamatos leeresztés: csatlakoztasson egy leeresztő tömlőt az egységhez, hogy a kondenzvíz a gravitáció segítségével ürüljön le.

## C. A víztartály ürítése

A készülék kikapcsol, ha a víztartály megtelik. A víztartály kiürítése és megfelelő visszahelyezése után újra működik. Amikor a tartály megtelt, az egység zümmögő hangot ad, és a „Water Full” LED pirosan világít.

- Nyomja meg a POWER gombot a készülék kikapcsolásához.
- Húzza meg a víztartályt, és csúsztassa ki a páratlanító testéből.
- Engedje le a vizet olyan helyre, ahol van lefolyó vagy kívül.
- Tisztítsa meg a tartály belsejét, ha szükséges, valamint a külsejét is.
- Helyezze vissza az üres tartályt az egységbe.
- Nyomja meg a POWER gombot az egység újraindításához.

MEGJEGYZÉS: Ha a „Water Full” LED továbbra is világít, ellenőrizze, hogy a víztartály úszója megfelelően van-e elhelyezve, és nincs-e akadály.



## D. Folyamatos vízelvezetés

Folyamatos működéshez vagy felügyelet nélküli páratlanításhoz csatlakoztassa a mellékelt leeresztőtömlőt az egységhez. A kondenzvíz a gravitáció segítségével szabadon lefolyik egy vödörbe vagy lefolyónyílásba. A tömlő csatlakoztatása előtt távolítsa el a folyamatos leeresztő csatlakozóhoz csatlakoztatott gumidugót a készülék hátuljáról.

Távolítsa el a víztartályt, és eltávolított gumidugóval zárja le, a készülék elején található lyukat, amely általában leereszti a tartályban lévő vizet, így a víz a hátsó részen keresztül kerül kiürítésre, amelyhez a leeresztő tömlőt csatlakoztatja. Csatlakoztasson egy vízleeresztő tömlőt (a csomag tartalmazza) a készülék hátuljára (a csatlakozó belső átmérője: 9 mm), a víz folyamatosan leereszthető. Ellenőrizze, hogy a tömlő megfelelően csatlakozik-e a vízelvezető nyíláshoz, hogy elkerülje a véletlen vízszivárgást. A leeresztő tömlő nem lehet túl hosszú (általában 0,6 m), nem szabad a lefolyónyílás szintje fölé helyezni, hogy biztosítsa a leeresztett víz elvezetését.

- Helyezze az egységet vízszintes és stabil felületre.
- Üzembe helyezés előtt kapcsolja ki a készüléket.

Távolítsa el a vízleeresztő nyílás dugóját, és tartsa biztonságos helyen.

Folyamatos vízelvezető  
kivezetés

- Biztonságosan és megfelelően csatlakoztassa a leeresztő tömlőt, és győződjön meg arról, hogy nincs-e eltömődve.
- Helyezze a tömlő kimeneti végét egy leeresztő nyílásba vagy vödörbe, és biztosítsa, hogy a víz szabadon ki tudjon folyni az egységből.
- Ne merítse vízbe a tömlő végét; különben "Légzár"-ot okozhat a tömlőben.

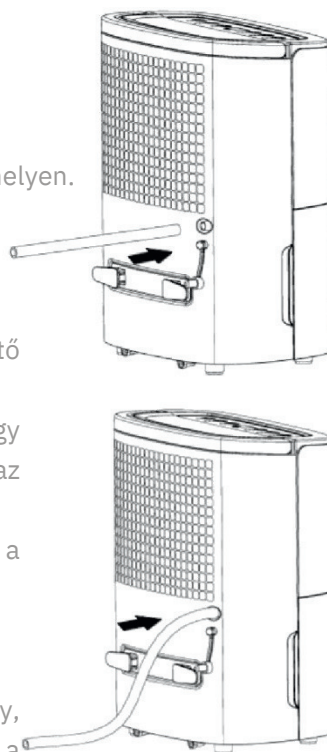
### A víz kifolyásának elkerülése érdekében:

Mivel a kondenzvíz-leeresztő edény negatív nyomása nagy, döntse le a leeresztő tömlőt a padló felé. Helyénvaló, hogy a dőlés mértéke meghaladja a 20 fokot.

Egyenesítse ki a tömlőt, hogy elkerülje a hajlítást.

## E. FAGYMENTES FUNKCIÓ

Ez a funkció akkor aktiválódik, ha a környezeti hőmérséklet 16°C alá esik. A kijelzőn megjelenik a „P1” felirat. 38 percenként 8 percre aktiválódik 2-12°C között. 12-16°C között 60 percenként 5 percre aktiválódik.



## 6. KARBANTARTÁS

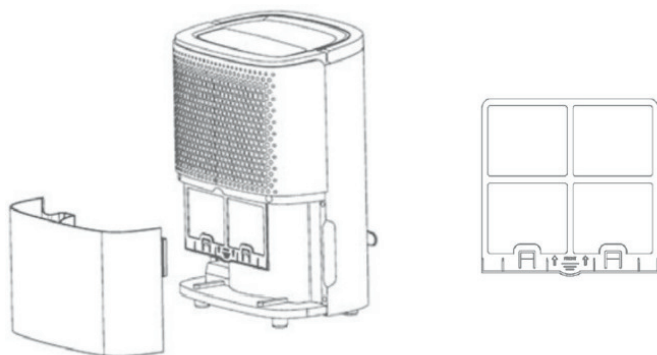
### A LEVEGŐSZŰRŐ TISZTÍTÁSA

- Karbantartás vagy javítás előtt kapcsolja ki a készüléket, és húzza ki a csatlakozódugót.
- Húzza ki a dugót, ha a párátlanítót hosszabb ideig nem használja
- Ne használjon benzolt, alkoholt, benzint vagy más vegyi reagenst az egység tisztításához.

Tisztítsa meg a szűrőt legalább kéthetente, vagy amikor szükséges. A tisztátalan szűrőn felgyülemlött lerakódásokat a ventilátor felszívhatja, majd az elpárolgatón, a kondenzátoron és az egységen belüli egyéb alkatrészekben marad, ami csökkentheti az egység hatékonyságát és különféle meghibásodásokhoz vezethet, amelyekre nem terjed ki a garancia.

Ha bármilyen lerakódást talál a készülék belsejében, forduljon a legközelebbi hivatalos szervizhez professzionális tisztítás céljából. Ne végezzen belső tisztítási műveleteket (a mosható szűrő tisztításán és mosásán kívül) egyedül. Mindig forduljon szakképzett műszaki személyzethez.

- a) Távolítsa el a szűrőrácsot, és vegye le a szűrőt.



- b) Porszívóval gyengéden szívja fel a port a szűrő felületén. Ha a szűrő nagyon szennyezett, mossa le vízzel és puha tisztítószerrel, majd szárítsa meg alaposan. Nedves ruhával tisztítsa meg a készülék felületét, ne használjon tisztítószerrel vagy csiszolószivacsot a felület sérüléséhez

- c) Helyezze vissza a szűrőt az eredeti helyére, amely az egység hátulján található.

## 7. HIBAEELHÁRÍTÁS

### A MŰKÖDÉSI HŐMÉRSÉKLET

$5^{\circ}\text{C} \leq$  Környezeti hőmérséklet  $\leq 35^{\circ}\text{C}$  Ha a környezeti hőmérséklet alacsonyabb vagy magasabb, mint az üzemi hőmérséklet, a párátlanító leáll.

Ha  $5^{\circ}\text{C} \leq$  Környezeti hőmérséklet.  $\leq 16^{\circ}\text{C}$ , a kompresszor időnként automatikusan leolvaszt; leolvasztás közben a kompresszor leáll és a ventilátor tovább működik.

### B. A SZERVIZHÍVÁS ELŐTT

Mielőtt kapcsolatba lépne a szakszervizzel, tekintse át a hibaelhárítási listát, amely tartalmazza azokat a gyakori előfordulásokat, amelyek nem gyártási vagy anyaghibából erednek.

Probléma	Lehetséges ok	Megoldás
Nem működik	Nincs tápellátás  A víz megtelt jelzés villog. A víztartály tele van, vagy a víztartály nincs jól összeszerelve. Szobahőmérséklet - az üzemi hőmérséklet túl alacsony vagy túl magas <5°C vagy >35°C	Csatlakoztassa egy működő konnektorhoz, és kapcsolja be.  Engedje le a víztartályt, és helyezze vissza a készülékbe.  Az egység védelmére tervezett önvédelem. Ilyen hőmérsékleten nem lehet dolgozni.
Rossz működés	Eltömődött a légszűrő?  El van dugulva a szívó- vagy nyomócsatorna?	Tisztítsa meg a levegőszűrőt az utasításoknak megfelelően Távolítsa el az akadályt a nyomó- vagy szívócsőről.
Nincs levegő bemenet	Eltömődött a légszűrő?  Az üzemi hőmérséklet vagy páratartalom túl alacsony. A levegőkimenet vagy -bemenet el van zárva	Mossa ki a szűrőt  Száras környezetben a párátlanító hatás nem lesz olyan nyilvánvaló.  Tisztítsa meg a levegő kimeneti vagy bemeneti nyílást.
Hangos zaj futás közben	A készülék vízszintes és sík felületre van helyezve?  Eltömődött a szűrő?	Helyezze el megfelelően az egységet  Mossa ki a szűrőt
Hangos zaj futás közben	A vízelvezető cső nincs szorosan csatlakoztatva.  A cső eltömődött.	Ellenőrizze a vízelvezető csövet.  Tisztítsa meg a csőben lévő törmeléket.

## 8. LESZERELÉS

### 8.1 TÁROLÁS

Hosszú távú tárolás – Ha hosszabb ideig (néhány hétnél tovább) nem használja a készüléket, a legjobb, ha megtisztítja és teljesen kiszárítja. Kérjük, tárolja az egységet az alábbi lépések szerint:

- Nyomja meg a bekapcsológombot az egység kikapcsolásához, és húzza ki a konnektorból.
- Engedje le a maradék vizet a készülékből.
- Tisztítsa meg a szűrőt, és hagyja teljesen megszáradni egy árnyékos helyen.
- Csatlakoztassa a tápkábelt a víztartályhoz.
- Helyezze vissza a szűrőt a helyére.
- Tároláskor az egységet függőleges helyzetben kell tartani.
- A gép tárolása szellőző, száraz, nem korrozív gázban és biztonságos beltéri helyen.

**FIGYELEM:** A gép belsejében lévő elpárologtatót ki kell szárítani az egység becsomagolása előtt, hogy elkerülje az alkatrészek sérülését és a penészesedést. Húzza ki az egységet a konnektorból, és tegye száraz, nyitott helyre napokra, hogy kiszáradjon. Az egység szárításának másik módja az, hogy a páratartalom pontot több mint 5%-kal magasabbra állítja, mint a környezeti páratartalom, így a ventilátor néhány órára megszáritja az elpárologtatót.

## 8.2 ÁRTALMATLANÍTÁS

### **FIGYELEM!!!**



Hűtőközeg légkörbe bocsátása szigorúan tilos!

Ne dobja ki az elektromos készülékeket válogatatlan települési hulladékként, használja elkülönített gyűjtőhelyek. Információért forduljon a

helyiönkormányzathoz a rendelkezésre álló begyűjtési rendszerekkel kapcsolatban. Ha az elektromos készülékeket ártalmatlanítják

A hulladéklerakókban vagy szemétkerakókban veszélyes anyagok szivároghatnak a talajvízbe, és bekerülhetnek a táplálékláncba, károsítva az Ön egészségét és közérzetét.

# VG:СЪДЪРЖАНИЕ

1.	ПРЕДИ ДА ЗАПОЧНЕШ	139
2.	ПРЕДПАЗНИ МЕРКИ ЗА БЕЗОПАСНОСТ ПРИ ОБСЛУЖВАНЕ	141
3.	ПРЕГЛЕД НА ПРОДУКТА	146
4.	ИНСТАЛАЦИЯ	147
5.	ЕКСПЛОАТАЦИЯ	149
6.	ПОДДРЪЖКА	152
7.	ОТСТРАНЯВАНЕ НА НЕИЗПРАВНОСТИ И	152
8.	ЗВЕЖДАНЕ ОТ ЕКСПЛОАТАЦИЯ	153

Благодарим ви, че избрахте нашия влагоуловител.

Не забравяйте да прочетете внимателно това ръководство, преди да го използвате.

*Моля, пазете това ръководство внимателно за допълнителни справки!*



# 1. ПРЕДИ ДА ЗАПОЧНЕТЕ

Моля, прочетете внимателно инструкциите за експлоатация, преди да използвате вашия обезвлажнител за първи път.

## А. ОПИСАНИЕ НА ПРОДУКТА

Влагоуловителя се използва за отстраняване на прекомерната влага от въздуха. Полученото намаление на относителната влажност предпазва сградите и тяхното съдържание от неблагоприятните ефекти на излишната влажност. ПРЕДУПРЕЖДЕНИЕ: Импедансът на устройството не трябва да надвишава 0,236 ома. Неспазването на тези изисквания може да доведе до налагане на ограничения от властите за електроснабдяване. Обърнете се към местните органи за захранване, ако електрическият импеданс надвишава 0,236 ома.

Като хладилен агент се използва екологичният R290. R290 няма вредно влияние върху озоновия слой (ODP), незначителен парников ефект (GWP) и се предлага в целия свят. Поради своите ефективни енергийни свойства, R290 е изключително подходящ като охлаждаща течност за това приложение. Трябва да се вземат предвид специални предпазни мерки поради високата запалимост на охлаждащата течност.

## Б. СИМВОЛИ ВЪРХУ УРЕДА И РЪКОВОДСТВОТО ЗА ПОТРЕБИТЕЛЯ



**Внимание!**

Това устройство използва запалим хладилен агент. Ако хладилен агент изтече и влезе в контакт с огън или нагревателна част, това ще създаде вреден газ и има риск от пожар.



Прочетете внимателно РЪКОВОДСТВОТО ЗА ПОТРЕБИТЕЛЯ преди работа.



Допълнителна информация е налична в РЪКОВОДСТВОТО ЗА ПОТРЕБИТЕЛЯ, РЪКОВОДСТВОТО ЗА ОБСЛУЖВАНЕ и други подобни.



От сервизния персонал се изисква да прочете внимателно РЪКОВОДСТВОТО ЗА ПОТРЕБИТЕЛЯ и РЪКОВОДСТВОТО ЗА ОБСЛУЖВАНЕ преди работа.

## С. СЛЕДНОТО ВИНАГИ ТРЯБВА ДА СЕ СПАЗВА ЗА БЕЗОПАСНОСТ

Всяко лице, работещо с хладилен агент или охладителна верига, трябва да притежава валиден сертификат, издаден от акредитиран орган за оценяване, компетентен в областта, за да разреши безопасното боравене с хладилни агенти съгласно признатите спецификации за оценка в тази област.

- Вземете под внимание опазването на околната среда, когато отстранявате опаковката на уреда и самия уред в края на полезния му живот.
- Уредът трябва да се съхранява в добре проветриво помещение, където размерът на помещението съответства на условията на работа.
- Уредът трябва да се съхранява по такъв начин, че да не може да настъпи механична повреда.
- Информация за помещения, където са разрешени тръби за хладилен агент:
  - монтажът на тръбите трябва да бъде сведен до минимум;
  - тръбите трябва да бъдат защитени от физическа повреда и, в случай на запалими хладилни агенти, трябва да бъдат монтирани в добре проветриво помещение;
  - съответствие с националните газови разпоредби;
  - механичните връзки трябва да са достъпни за поддръжка;
  - в случай на модули, съдържащи запалими хладилни агенти, минималната площ на помещението трябва да бъде посочена под формата на таблица или на една цифра без препратка към формула;
- Вентилационните отвори трябва да са свободни.
- Всяка сервисна намеса ще се извършва само в съответствие с препоръките на производителя;
- Тръбите, свързани към уреда, не трябва да съдържат потенциален източник на огън;
- Когато преносимият климатик или влагоуловителя е включен, вентилаторът може да работи постоянно при нормални условия, за да осигури минимален въздушен обем от 80m<sup>3</sup> / h, дори когато компресорът е затворен поради температурния контролер.
- Не пробивайте и не изгаряйте.
- Използвайте само препоръчаните от производителя инструменти за размразяване или почистване
- Не пробивайте нито един от компонентите на охладителната верига. Охлаждащият газ може да няма миризма.
- Съхранявайте уреда внимателно, за да предотвратите механични повреди.
  - Само лица, упълномощени от акредитирана агенция, удостоверяваща тяхната компетентност, могат да боравят с хладилни агенти в съответствие с местното законодателство.
- Всички ремонти трябва да се извършват в съответствие с препоръките на производителя.
- Поддръжката и ремонтите, изискващи помощта на квалифициран персонал, трябва да се извършват под наблюдението на специалисти по използването на запалими хладилни агенти.
- Не пробивайте нито един от компонентите на охладителната верига. Хладилният агент може да е без мирис.

Допълнителни предупреждения за модула, използващ хладилен агент R290 (вижте табелката с технически данни за вида на използвания хладилен агент).



**Внимание!**

ПРОЧЕТЕТЕ ВНИМАТЕЛНО РЪКОВОДСТВОТО, ПРЕДИ ДА ИЗПОЛЗВАТЕ УРЕДА. Хладилният агент R290 отговаря на европейските директиви за опазване на околната среда.

**Turbionaire Smart 8 Eco/ Smart 10 Eco съдържа приблизително 40 g хладилен агент R290.**

**Turbionaire Smart 12 Eco съдържа приблизително 55 g хладилен агент R290.**

**Turbionaire Smart 14 Eco съдържа приблизително 52 g хладилен агент R290.**

**Turbionaire Smart 16M съдържа приблизително 62 g хладилен агент R290.**

Устройството трябва да се монтира, използва и съхранява в помещение, по-голямо от 4 m<sup>2</sup>.

НЕСПАЗВАНЕТО НА ТОВА ПРЕДУПРЕЖДЕНИЕ МОЖЕ ДА ДОВЕДЕ ДО ЕКСПЛОЗИЯ, СМЪРТ, НАРАНЯВАНЕ И ИМУЩЕСТВЕНИ ЩЕТИ

## **2. ПРЕДПАЗНИ МЕРКИ ЗА БЕЗОПАСНОСТ ПРИ ОБСЛУЖВАНЕ**



**Вашата безопасност е най-важното нещо, за което се интересуваме!**

Моля, прочетете внимателно това ръководство и го разберете напълно, преди да започнете работа с вашия обезвлажнител.



Всяко лице, което участва в работа или взлом на верига на хладилен агент, трябва да притежава актуално валиден сертификат от акредитиран от индустрията орган за оценяване, който упълномощава тяхната компетентност да боравят с хладилни агенти безопасно в съответствие с признатата в индустрията спецификация за оценка.



Обслужването трябва да се извършва само според препоръките на производителя на оборудването. Поддръжката и ремонтът, които изискват помощта на друг квалифициран персонал, трябва да се извършват под наблюдението на лице, компетентно в използването на запалими хладилни агенти. Ако не разбирате нещо или имате нужда от помощ, моля, свържете се с дилърските услуги

**Моля, следвайте тези предупреждения, когато трябва да предприемете следното, когато обслужвате влагоуловител с R290.**

### **1. Проверка на работната зона**

Преди започване на работата по системи, съдържащи запалими хладилни агенти, са необходими проверки за безопасност, за да се намали рискът от пожар. За да ремонтирате охладителната система, трябва да се спазват следните предпазни мерки преди извършване на работи по системата.

### **2. Процедурата на работа**

Работите се извършват в съответствие с контролирана процедура, така че да се сведе до минимум рискът от изтичане на запалими газове или пари по време на работните процедури.

### **3. Общата работна зона**

Целият персонал по поддръжката и останалите, работещи на съседни места, трябва да бъдат обучени за естеството на тяхната работа. Работата в затворени помещения трябва да се избягва. Зоната около работното пространство ще бъде ограничена. Уверете се, че в работната зона са спазени условията за безопасност, като контролирате запалимия материал.

#### **4. Проверка на наличието на хладилен агент**

Зоната ще бъде проверена с подходящ детектор за хладилен агент преди и по време на работа, за да се гарантира, че техникът е наясно с потенциално запалимата атмосфера. Уверете се, че използваното оборудване за откриване на течове е подходящо в случай на възникване на запалими хладилни агенти, т.е. искроустойчиво, правилно защитено или запечатано.

#### **5. Наличието на пожарогасител**

В случай, че трябва да се извършват отоплителни работи в хладилната система или във всички свързани части, винаги трябва да имате на разположение подходящо противопожарно оборудване. Уверете се, че има сух прах или пожарогасител с CO<sub>2</sub> в близост до работната зона.

#### **6. Без източници на открит пламък**

Никое лице, работещо в хладилната система, което включва пряко излагане на запалим хладилен агент, няма да използва източник на открит пламък, в противен случай това значително ще увеличи риска от пожар или експлозия. Всички източници на запалване, включително цигарите, трябва да се държат достатъчно далеч от мястото на инсталиране, ремонт, отстраняване и изхвърляне, при което запалимият хладилен агент може да се освободи в околността. Преди да работите с такова съоръжение, трябва да се наблюдава околното пространство, за да се гарантира, че няма риск от запалване. Също така трябва да се покаже тематичното съобщение „Пушенето забранено“.

#### **7. Вентилирана зона**

Уверете се, че има отворено или добре проветрено помещение, преди да започнете работа по охладителната система или извършване на каквато и да е работа по отоплението. Присъствието на вентилатор е задължително през цялата работа. Чрез вентилация всеки отделен охлаждащ агент трябва да бъде безопасно разпръснат и за предпочитане изхвърлен в атмосферата.

#### **8. Проверка на хладилното оборудване**

Ако електрическите компоненти се сменят, те трябва да отговарят на техническите спецификации. Спазвайте стриктно инструкциите за поддръжка и сервиз на производителя. Ако се съмнявате, консултирайте се с техническия отдел на производителя за помощ.

Следните проверки се прилагат за инсталации, използващи запалими хладилни агенти: -количеството на товара е в съответствие с размера на помещението, където са инсталирани компонентите, съдържащи хладилния агент;

-вентилаторите и въздухоотводите работят правилно и не са запушени;

-ако се използва индиректна охлаждаща верига, вторичната верига трябва да се провери дали съдържа хладилен агент; -Маркировката на оборудването трябва да е видима. Знаците и символите, които са нечетливи, ще бъдат коригирани;

- Тръбите или компонентите на хладилната инсталация са поставени на място, където е малко вероятно да бъдат изложени на каквото и да е вещество, което може да корозира компонентите, съдържащи хладилен агент, освен ако компонентите не са направени от устойчиви на корозия материали или подходящо защитени от корозия материали.

#### **9. Проверка на електрически устройства**

Ремонтът и поддръжката на електрическите компоненти трябва да включват първоначални проверки за безопасност и процедури за проверка на компонентите. Ако има повреда, която може да компрометира безопасността, веригата не трябва да се свързва към източник на хранване, докато повредата не бъде третирана задоволително. Ако повредата не може да бъде коригирана веднага, но все още е необходима работа, трябва да се използва подходящо временно решение. Това трябва да се съобщи на собственика на оборудването, така че всички страни да бъдат информирани. Първоначалните проверки за безопасност се извършват, ако:

- кондензаторите се разреждат: това се прави по безопасен начин, за да се избегне появата на искри;
- електрическите компоненти и електрическите кабели не са изложени по време на зареждане, обновяване или почистване на инсталацията;
- има непрекъснатост на заземяването.

#### **10. Ремонт на запечатани елементи**

Докато запечатаните елементи се ремонтират, всички източници на захранване трябва да бъдат изключени от оборудването, върху което трябва да се намеси, преди всяко отстраняване на запечатаните капачки и т.н. Ако е абсолютно необходимо да захранвате оборудването по време на обслужване, тогава система за непрекъснато откриване на течове трябва да се има предвид в най-критичната точка, за да предупреди в случай на потенциално опасна ситуация.

Трябва да се обърне специално внимание на следните аспекти, за да се гарантира, че докато работите по електрическите компоненти, корпусът не се модифицира по такъв начин, че да се повлияе нивото на защита. Те включват повреда на кабела, прекомерен брой връзки, клеми, които не отговарят на оригиналните спецификации, повреда на уплътненията, неправилно поставяне на уплътнения и др.

Уверете се, че уредът е безопасно монтиран. Уверете се, че уплътненията или уплътнителните материали не са повредени, така че да не се използват повече за целите на предотвратяване на проникването на запалими газове. Резервните части трябва да отговарят на спецификациите на производителя.

#### **11. Ремонти, извършени на искробезопасни компоненти**

Не използвайте постоянни индуктивни или капацитивни товари във веригата, без да сте сигурни, че те не надвишават напрежението и мощността, разрешени за използването на оборудването. Искробезопасните компоненти са единствените видове, с които може да се работи в присъствието на запалима атмосфера. Тестовият уред трябва да бъде правилно оценен. Сменяйте компонентите само с частите, посочени от производителя. Други компоненти могат да причинят запалване на хладилния агент в атмосферата поради изтичане.

#### **12. Кабели**

Проверете дали кабелите няма да бъдат подложени на износване, корозия, прекомерно налягане, вибрации, остри ръбове или други неблагоприятни въздействия върху околната среда. Проверката трябва също така да вземе предвид ефектите от влошаването с течение на времето или от непрекъснатите вибрации от източници като компресори или вентилатори.

#### **13. Откриване на запалими хладилни агенти**

При никакви обстоятелства не трябва да се използват потенциални източници на запалване при търсене или откриване на изтичане на хладилен агент. Не използвайте халогенна светкавица (или друг детектор, използващ открит пламък).

14. Отстраняване и изхвърляне При намеса във веригата на хладилния агент за ремонт - или за друга цел - ще се използват конвенционални процедури. В случай на хладилни агенти обаче е важно да се спазват най-добрите практики, тъй като съществува висок риск от пожар. Спазвайте следната процедура:

- Извадете хладилния агент;
- Почистете веригата с инертен газ;
- Дренаж;
- Продуване отново с инертен газ;
- Отворете веригата чрез рязане или спояване.

Количеството хладилен агент се възстановява в съответните цилиндри за възстановяване. За модулите, съдържащи хладилни агенти, системата трябва да бъде продухана с OFN, за да защити модула. Този процес може да се повтори няколко пъти. Не използвайте сгъстен въздух или кислород за тази процедура. Промиването се извършва чрез принудително вкарване на OFN (безкислороден азот) в системата до достигане на работното налягане, последвано от изпускане в атмосферата и накрая аспирация. Този процес се повтаря, докато хладилният агент се евакуира от системата. Когато се използва крайното количество OFN, системата трябва да се вентилира при атмосферно налягане, за да може да се извършват работи. Тази операция е абсолютно жизненоважна, ако трябва да се извършват операции по спояване на тръбите. Уверете се, че гнездото на вакуумната помпа не е близо до източниците на открит пламък и че има налична вентилация.

### **15. Процедури за пълнене**

В допълнение към конвенционалните процедури за пълнене трябва да се спазват следните изисквания:

-Когато се използва оборудване за пълнене, уверете се, че различни хладилни агенти не са замърсени. Маркучите трябва да са възможно най-къси, за да се сведе до минимум количеството на хладилния агент, съдържащ се в тях.

-Цилиндриите трябва да се държат изправени.

-Уверете се, че охладителната система е заземена, преди да я напълните с хладилен агент.

- Етикетирайте системата, след като я напълните с хладилен агент (ако вече не е етикетирана).

-Не претоварвайте охладителната система. Преди презареждане системата трябва да се тества с OFN. Системата трябва да бъде проверена за течове, когато процедурата по пълнене е завършена, но преди устройството да бъде пуснато в експлоатация. След процедурата по пълнене извършете тест за откриване на течове. 16. Извеждане от експлоатация Преди извършването на тази процедура е важно техникът да е напълно запознат с оборудването и с всичките му компоненти. Препоръчително е всички хладилни агенти да бъдат възстановени по безопасен начин. Преди извършването на тази процедура се взема проба от масло и хладилен агент, ако е необходим анализ преди повторното използване на регенерирания хладилен агент. Важно е захранването да е налично преди началото на процедурата а. Запознайте се с оборудването и работата му.

b. Изолирайте системата от електрическа гледна точка.

° C. Преди да продължите, уверете се, че:

d. Предлага се механично оборудване за манипулиране, ако е необходимо за манипулиране на бутилки с охлаждаща течност;

d. Всички индивидуални предпазни средства са налични и се използват правилно;

f. процесът на възстановяване се наблюдава постоянно от квалифицирано лице;

g. Оборудването за възстановяване и цилиндриите са в съответствие със съответните стандарти.

ч. Ако е възможно, източете охладителната система.

i. Ако аспирацията не е възможна, използвайте колектор, така че хладилният агент да може да бъде отстранен от различни части на системата.

й. Уверете се, че цилиндърът е в изправено положение преди възстановяване.

к. Стартирайте машината за възстановяване и я използвайте в съответствие с инструкциите на производителя.

л. Не пълнете цилиндриите. (Не трябва да надвишава 80% от количеството течност).

м. Не превишавайте максималното работно налягане на цилиндъра, дори временно.

н. Когато бутилките са правилно заредени и процесът е завършен, уверете се, че бутилките и оборудването са бързо отстранени от работната зона и че всички изолационни клапани на оборудването са затворени.

о. Възстановеният хладилен агент не трябва да се зарежда в друга охладителна система, освен ако не е бил почистен и проверен. 17. Етикетиране Оборудването трябва да бъде етикетирано със споменаването, че е било демонтирано и изпразнено от хладилния агент. Етикетът трябва да има дата и подпис. Уверете се, че има етикети на оборудването, показващи, че оборудването съдържа запалим хладилен агент.

18. Възстановяване Когато извършвате процедурата за отстраняване на хладилния агент от система, било то за обслужване или за извеждане от експлоатация, се препоръчва всички хладилни агенти да бъдат безопасно отстранени. Когато прехвърляте хладилния агент в бутилки, уверете се, че за хладилния агент се използват само регенеративните цилиндри. Уверете се, че има правилен брой цилиндри, за да поеме общото количество хладилен агент в системата. Всички бутилки, които ще се използват, са предназначени за възстановения хладилен агент и са етикетираны за съответния хладилен агент (т.е. специални бутилки за възстановяване на хладилния агент). Цилиндри трябва да бъдат оборудвани с вентил за налягане и свързаните спирателни вентили в добро работно състояние. Източените цилиндри за възстановяване се евакуират и, ако е възможно, се охлаждат преди възстановяване.

Оборудването за възстановяване трябва да е в добро работно състояние, снабдено с набор от налични инструкции за оборудването и да е подходящо за процедурата за възстановяване на запалими хладилни агенти. Освен това трябва да има и комплект калибрирани везни в добро работно състояние. Маркучите трябва да бъдат оборудвани със свързващи механизми без течове и в добро състояние. Преди да използвате машината за възстановяване, уверете се, че е в добро работно състояние, че е правилно поддържана и че всички свързани електрически компоненти са запечатани, за да се предотврати запалване при изпускане на охлаждаща течност. Консултирайте се с производителя, ако се съмнявате. Възстановеният хладилен агент ще бъде съответно върнат на доставчика на хладилния агент в цилиндъра за възстановяване и ще бъде изготвена бележката, отнасяща се до прехвърлянето на отпадъците. Не смесвайте охлаждащи течности в блоковете за възстановяване и особено в цилиндрите. Ако компресорите или маслата в компресорите трябва да бъдат отстранени, уверете се, че са изпразнени до приемливо ниво, за да сте сигурни, че запалимият хладилен агент няма да остане в смазката. Процесът на евакуация трябва да се извърши преди връщането на компресора на доставчиците. Използвайте само електрическо нагряване на тялото на компресора, за да ускорите този процес. Когато маслото се отстранява от системата, това трябва да се извърши при безопасни условия.

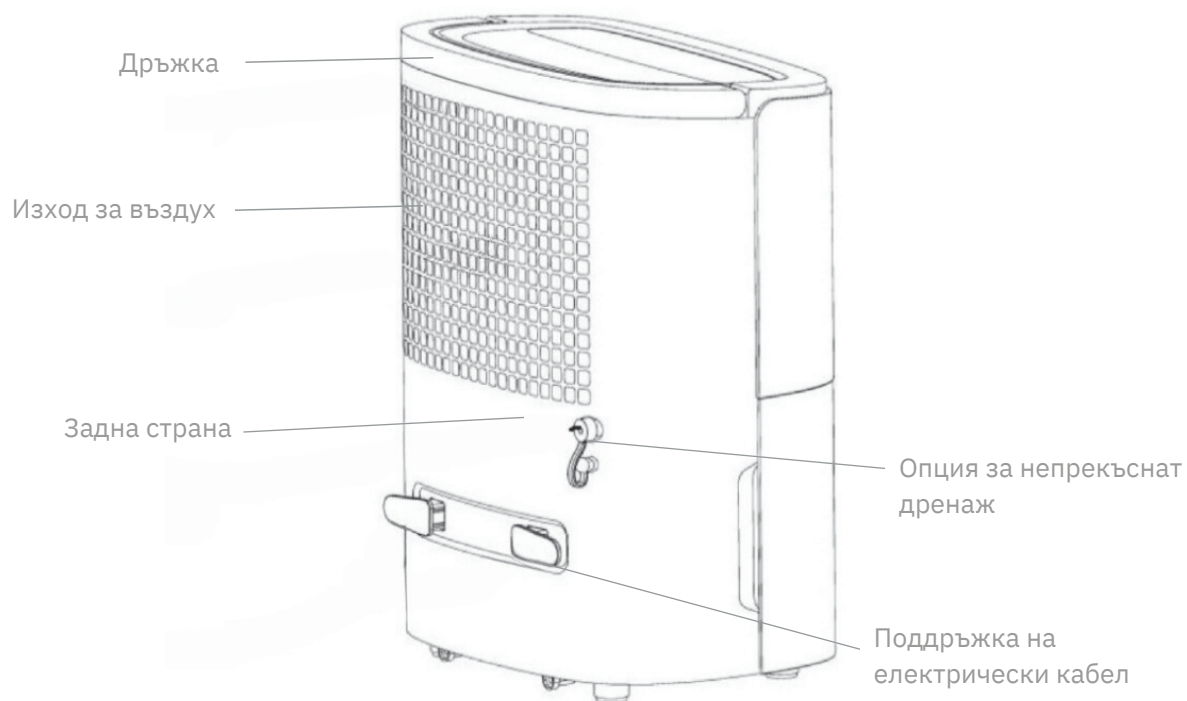
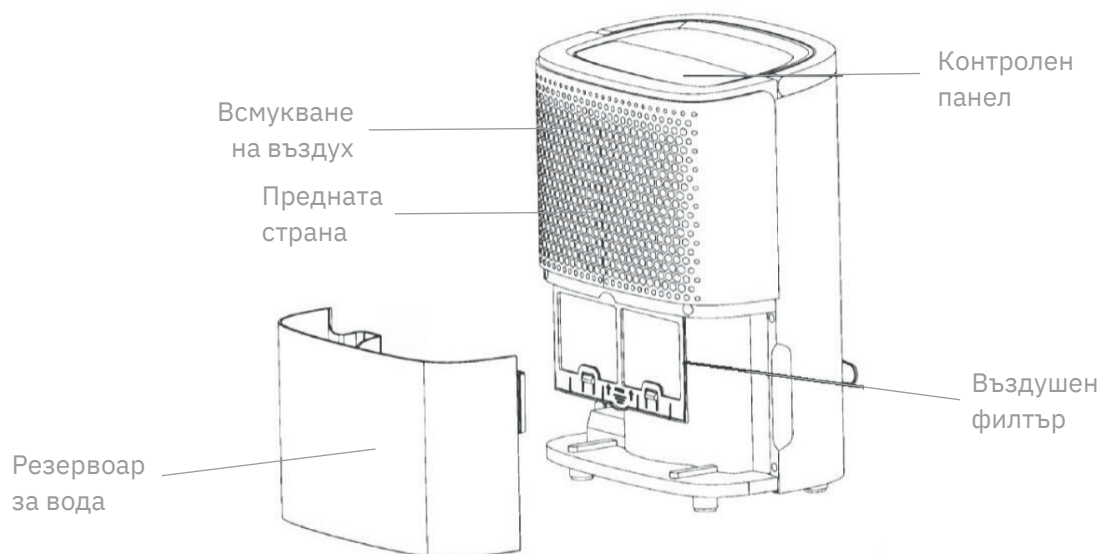
Първоначалните проверки за безопасност включват:

- Тези кондензатори са разредени: това трябва да се направи по безопасен начин, за да се избегне възможността за искрене;
- Да няма открити електрически компоненти и кабели под напрежение по време на зареждане, възстановяване или прочистване на системата;
- Че има непрекъснатост на земната връзка



### 3. ПРЕГЛЕД НА ПРОДУКТА

#### А. ИЗГЛЕД ОТ ПРЕД И ЗАД





## 6. ХАРАКТЕРИСТИКА

- Мощно отстраняване на влагата
- Мониторът за влажност показва текущата влажност на въздуха
- Автоматичният режим автоматично регулира нивата на влажност
- Ефективно премахва влагата, праха от въздуха
- Ниска консумация на енергия-енергийно ефективен
- Тихият вентилатор има две настройки на скоростта
- Автоматично размразяване при ниска температура
- Автоматично изключване/ автоматично рестартиране
- Електронно управление
- Функция за сушене на прането
- Непрекъснат дренаж
- 1.8L воден резервоар

## С. ТЕХНИЧЕСКИ СПЕЦИФИКАЦИИ

МОДЕЛ	SMART 8 еко/ 10 еко/ 12 еко	SMART 14 еко/ 16 еко
Капацитет за обезвлаж.	8/ 10/ 12 L/ Ден (30°C, 80%)	14/ 16 L/ ден (30°C, 80%)
Захранване	AC220 - 240V/ 50Hz	AC220 - 240V/ 50Hz
Консумация на енергия	200W/ 1.1A	250W/ 1.4A
Шум	≤40dB(A)	≤40dB(A)/ ≤43dB(A)
Капацитет на резер. за вода	1.8L	1.8L
Макси. Зареждане с хла. агент	R290/ 40g/ 40g/ 55g	R290/ 52g/ 62g
Нето тегло	10 кг / 10 кг / 10,5 кг	10,5 кг / 11,5 кг
Мин. размер на помещението	4 m <sup>2</sup> (площ на пода)	4 m <sup>2</sup> (площ на пода)
Размери	296x416x217 мм	296x416x217 мм

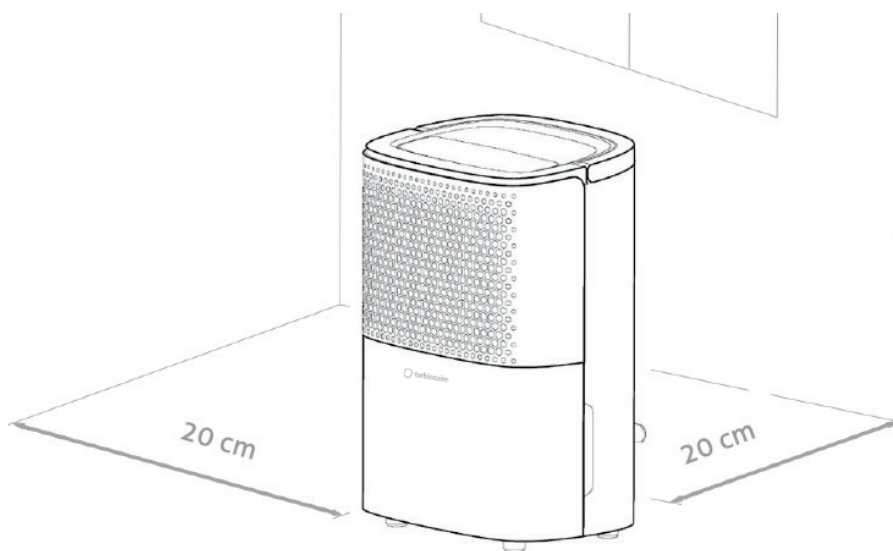
## 4. ИНСТАЛАЦИЯ

### А. ПОСТАВЯНЕ НА ИЗВЛАЖНИТЕЛЯ

Поставете уреда върху твърда, равна повърхност в зона с поне 30 см свободно пространство около него, за да осигурите правилна циркулация на въздуха.

#### **Никога не инсталирайте уреда там, където може да бъде обект на:**

- Източници на топлина като радиатори, отоплителни уреди, печки или други продукти, които произвеждат топлина.
- В зона, където могат да бъдат пръскани масло или вода
- Директна слънчева светлина
- Механична вибрация или удар
- Прекомерно количество прах
- Липса на вентилация, като например шкаф или библиотека
- Неравна повърхност



### ВНИМАНИЕ

Инсталирайте уреда в помещения, които надвишават 4 m<sup>2</sup>.

Не монтирайте уреда на място, където може да изтече запалим газ. ЗАБЕЛЕЖКА



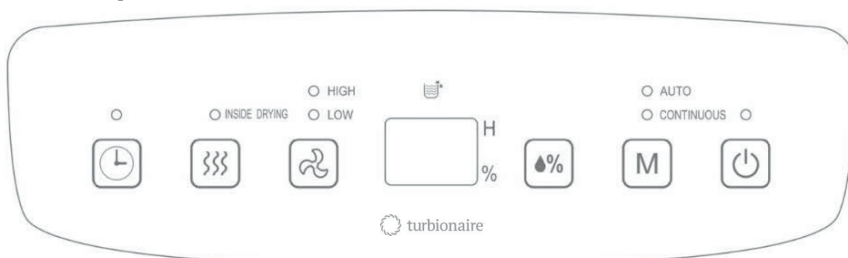
Производителят може да предостави друг подходящ пример или може да предостави допълнителна информация за миризмата на хладилен агент.

## 6. БЕЗОПАСНА РАБОТА С УСТРОЙСТВОТО

- Проверете устройството след разопаковане за повреди или драскотини по него.
- Работете с това устройство при температура на околната среда от 5°C до 35°C.
- Не използвайте на открито. Този влагоуловител е предназначен за жилищни помещения само приложения.
- Не работете в непосредствена близост до стени, завеси или други предмети, които могат да блокират входа и изхода.
- Пазете входа и изхода на въздуха без препятствия.
- Регулиране на дефлектора за вятър в посока нагоре преди стартиране.
- Ако е наклонен на повече от 45°, оставете уреда да се постави изправен най-малко 24 часа преди стартиране.
- Дръжте вратите и прозорците затворени за по-добро пестене на енергия. Не работете и не съхранявайте уреда на пряка слънчева светлина или дъжд. Нормално е изходящият въздух да се чувства топъл на допир след продължителна работа в горещи дни.
- Изпразнете резервоара за вода, преди да преместите устройството.
- Уверете се, че резервоарът за вода е правилно монтиран, в противен случай устройството няма да работи правилно.
- Изсушителят стартира в режима, избран при последното използване на уреда.
- Изсушителят започва да изсушава, ако влажността в помещението е с 3% по-висока от тази избрана влажност.
- Има защитно 3-минутно забавяне на компресора. Изчакайте 3 минути, докато влагоуловителя възобнови изсушаването.

## 5. ЕКСПЛОАТАЦИЯ

### А. Контролен



#### **МОЩНОСТ**

В състояние на готовност натиснете бутона за захранване, за да включите, индикаторът за работа светва и скоростта на вентилатора по подразбиране е ниска. Във включено състояние натиснете бутона за захранване, за да изключите, светлинният индикатор за работа изгасва и компресорът спира незабавно.

#### **РЕЖИМ**

автоматичен режим - Режим на непрекъснато сушене, натиснете веднъж, за да превключите режима от един на друг, съответният индикатор светва.

- Автоматичен режим: В този режим, ако влажността в помещението е по-висока от 5% влажност, компресорът и вентилаторът ще стартират. Ако влажността в помещението е по-ниска от зададената влажност с 5%, компресорът ще се изключи и вентилаторът ще работи според първоначалната настройка и ще отчита влажността на въздуха. Първоначалната стойност на влажността е 50%.
- Режим на непрекъснато сушене - функция за сушене на текстилни материали. В този режим уредът ще работи независимо от влажността в помещението. Компресорът и вентилаторът ще работят, като скоростта на вентилатора се регулира. Машината продължава да работи, но влажността не може да се регулира.

#### **ТАЙМЕР**

Натиснете бутона на таймера, за да настроите функцията за време за 1-24 часа. Интервалът е 1 час. Всеки път, когато натиснете този бутон, стойността се увеличава с 1 час и след това съответната стойност за времето се показва на екрана. Стойността на настройката е „0“, за да отмените функцията на таймера. Индикаторът се оказва. След като таймерът е настроен и завършен, светодиодът на таймера свети по време на периода на отчитане. След като времето изтече, светодиодът на таймера се изключва автоматично.

В работещо състояние задайте времето за изключване на машината;

В състояние на готовност задайте времето за включване на машината.

#### **РЕГУЛИРАНЕ НА ВЛАЖНОСТТА**

Натиснете бутона за влажност, за да проверите текущата влажност на околната среда, докоснете този бутон отново и можете да зададете влажността. Диапазонът на целевата влажност е 80%-75%-65% ... 40%-35%-30%. След настройка в продължение на 3 секунди, системата потвърждава въведената стойност и след това машината излиза от състоянието на настройка и връща текущата влажност. В режим на сушене целевата влажност не може да се променя.



### СКОРОСТ НА ВЕНТИЛАТОРА

В автоматичен режим на изсушаване (AUTO) и режим на сушене (ПРЕКЪСНАТ), натиснете този клавиш, за да промените скоростта на вентилатора: ниска скорост / висока скорост. За правилна работа на уреда, вентилаторът работи непрекъснато, докато спре.



### ФУНКЦИЯ ВЪТРЕШНО ИЗСУШАВАНЕ

Натиснете бутона ВЪТРЕШНО СУШЕНЕ, за да стартирате функцията за вътрешно сушене, преди да изключите уреда. Тази функция предотвратява образуването на мухъл вътре в устройството поради влага, останала след спирането му.



### ДИСПЛЕЙ

в режим на автоматично изсушаване (AUTO) или в режим на сушене на текстил (НЕПРЕКЪСНАТО), той ще покаже действителната влажност на помещението, а в режим TIMER ще покаже зададеното време в часове.



### АЛАРМА ЗА ПЪЛЕН РЕЗЕРВОАР ЗА ВОДА – Ръчно източване

#### Индикатор на резервоара за вода

Когато резервоарът за вода е пълен (индикаторът за нивото на водата в резервоара може да се види визуално по всяко време), докато не бъде източен, уредът ще спре да работи под действието на поплавъка в резервоара, ще прозвучи 10 пъти кратък звуков сигнал и ще се покаже съобщението "FL" и червеният светодиод на резервоара е пълен. Извадете резервоара за вода от устройството и го изпразнете от водата. Поставете отново резервоара за източване на водата и влагоуловителя ще се рестартира.

#### • Изчистете алармата

Когато бръмченето е включено, натиснете произволен бутон, за да го спрете. Компресорът и вентилаторът се изключват и всички функции замръзват, докато резервоарът за вода не бъде изпразнен и върнат в правилната позиция.

### Б. Дренаж

Има два начина за отстраняване на събраната вода, произведена от модула.

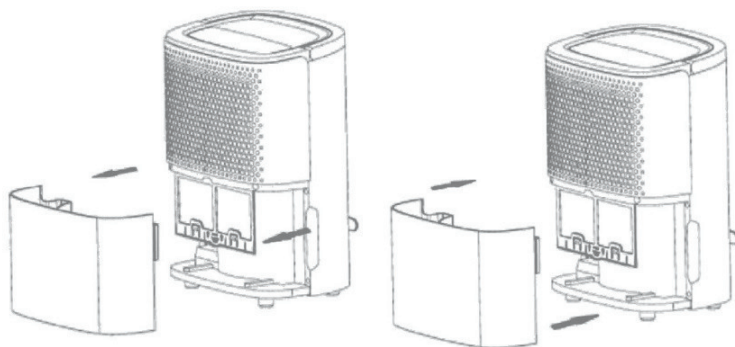
1. Ръчно източване: водният резервоар се отстранява ръчно.
2. Непрекъснато източване: прикрепете дренажен маркуч към уреда, така че кондензираната вода да се оттича чрез гравитация.

### С. Изпразване на резервоара за вода

Устройството ще се изключи, след като резервоарът за вода се напълни. Той ще работи отново, след като изпразните резервоара за вода и го инсталирате отново правилно. Когато резервоарът е пълен, устройството ще издаде бръмчащ звук и светодиодът „Пълна вода“ ще светне в червено

- Натиснете бутона POWER, за да изключите устройството.
- Издърпайте резервоара за вода и го плъзнете от корпуса на влагоуловителя.
- Изпразнете водата в зона с дренаж или навън.
- Почистете резервоара отвътре, ако е необходимо, както и отвън.
- Поставете празния резервоар обратно в уреда.
- Натиснете бутона POWER, за да рестартирате уреда.

ЗАБЕЛЕЖКА: Ако светодиодът „Пълна вода“ все още свети, проверете дали поплавъкът на водния резервоар е поставен правилно и дали няма блокиране.



## Г. Непрекъснат дренаж

За продължителна работа или изсушаване без надзор, свържете прикрепения дренажен маркуч към уреда. Кондензната вода се оттича свободно в кофа или дренажен отвор чрез гравитация. Отстранете гумената тапа, прикрепена към съединителя за непрекъснато източване от задната страна на устройството, преди да свържете маркуча. Отстранете резервоара за вода и заключете с отстранена гумена запушалка отвора отпред на устройството, който обикновено източва водата в резервоара, като по този начин водата се насочва за изтичане през задната част, към която свързва дренажния маркуч. Свържете маркуч за източване на водата (включен в опаковката) към задната част на устройството (вътрешен диаметър на конектора: 9 мм), водата може да се източва непрекъснато. Проверете дали маркучът е правилно свързан към дренажния отвор, за да избегнете случайно изтичане на вода. Дренажният маркуч не трябва да е твърде дълъг (обикновено 0,6 m), той не трябва да е разположен над нивото на дренажния отвор, за да се осигури оттичане на източената вода.

- Поставете уреда върху хоризонтална и стабилна повърхност.
- Изключете уреда преди работа.

Отстранете запушалката на отвора за източване на водата и я съхранявайте на сигурно място.

- Свържете надеждно и правилно дренажния маркуч и се уверете, че не е запушен.
- Поставете изходящия край на маркуча в дренажен отвор или кофа и се уверете, че водата може свободно да изтича от уреда.
- Не потапяйте края на маркуча във вода; в противен случай може да причини "въздушно запушване" в маркуча.

### За да избегнете разливане на вода:

Тъй като отрицателното налягане на дренажния съд за конденза е голямо, наклонете дренажния маркуч надолу към пода. Подходящо е степента на наклон да надвишава 20 градуса. Изправете маркуча, за да избегнете огъване.

Непрекъснат  
дренажен изход



## Д. ФУНКЦИЯ ПРОТИВ ЗАМРЪЗВАНЕ

Тази функция ще се активира, когато температурата на околната среда падне под 16°C. Дисплеят ще покаже „P1“. Той ще се активира за период от 8 минути на всеки 38 минути между 2-12°C. Освен това ще се активира за период от 5 минути на всеки 60 минути между 12-16°C.

## 6. ПОДДРЪЖКА

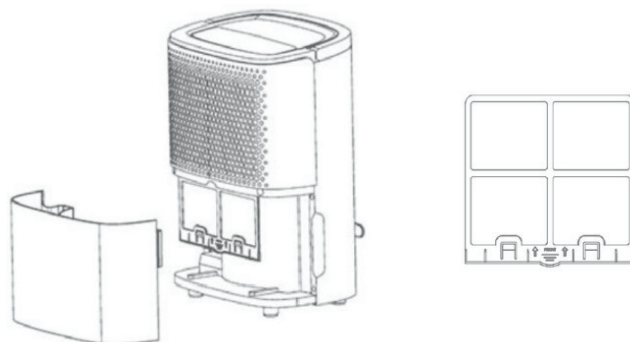
### ПОЧИСТВАНЕ НА ВЪЗДУШНИЯ ФИЛТЪР

- Изключете този уред и извадете щепсела от контакта преди поддръжка или ремонт.
- Извадете щепсела, ако изсушителят не се използва дълго време
- Моля, не използвайте бензол, алкохол, бензин или друг химически реагент за почистване на модула.

Почиствайте филтъра поне на всеки две седмици или когато е необходимо. Отлаганията, натрупани върху нечистия филтър, могат да бъдат абсорбирани от вентилатора, след което да останат прикрепени към изпарителя, кондензатора и други компоненти вътре в уреда, което може да намали ефективността на уреда и да доведе до различни неизправности, които не се покриват от гаранцията.

Ако в уреда се открият отлагания, свържете се с най-близкия оторизиран сервиз за професионално почистване. Не извършвайте операции по вътрешно почистване (освен почистване и измиване на миещия се филтър) сами. Винаги се обръщайте към квалифициран технически персонал.

а) Свалете филтърната решетка и свалете филтъра.



б) Използвайте прахосмукачка, за да попиете внимателно праха от повърхността на филтъра. Ако филтърът е много замърсен, измийте го с вода и мек почистващ препарат и след това го подсушете добре. Използвайте мокра кърпа, за да почистите повърхността на уреда, не използвайте почистващ препарат или гъба за шлайфане, за да повредите повърхността

с) Поставете филтъра обратно на първоначалното му място, което е в задната част на модула.

## 7. ОТСТРАНЯВАНЕ НА НЕИЗПРАВНОСТИ

### А. ФУНКЦИОНАЛНА ТЕМПЕРАТУРА

**5°C ≤ Környezeti hőmérséklet ≤ 35°C** Ha a környezeti hőmérséklet alacsonyabb vagy magasabb, mint a működési hőmérséklet, a páratlanító leáll.

**Ha 5°C ≤ Környezeti hőmérséklet. ≤ 16°C**, a kompresszor időnként automatikusan leolvaszt; leolvasztás közben a kompresszor leáll és a ventilátor tovább működik.

### Б. ПРЕДИ ДА СЕ ОБЪДЕТЕ В СЕРВИЗ

Преди да се свържете с професионален сервиз, моля, прегледайте списъка за отстраняване на проблеми, който включва често срещани събития, които не са резултат от дефект в изработката или материалите.

проблем	Възможна причина	Решение
Не работи	Няма захранване Индикация за пълна вода Мига. Резервоарът за вода е пълен или резервоарът за вода не е сглобен добре. Стайна температура - работната температура е твърде ниска или твърде висока <5°C или >35°C	Свържете към работещ контакт и включете. Източете резервоара за вода и го поставете обратно в уреда.  Самозащита, предназначена да предпазва устройството. Не може да работи при такава температура.
Лошо функциониране	Въздушният филтър запушен ли е?  Запушен ли е всмукателният или изпускателният канал?	Почистете въздушния филтър според инструкциите  Отстранете препятствието от изпускателния или всмукателния канал.
Без всмукване на въздух	Въздушният филтър запушен ли е? Работната температура или влажност е твърде ниска. Блокиран ли е изходът или входът за въздух	Измийте филтъра  В суха среда ефектът на изсушаване няма да бъде толкова очевиден.  Почистете изходящия или входния отвор за въздух.
Силен шум при движение	Устройството поставено ли е на хоризонтална и равна повърхност?  Филтърът запушен ли е?	Поставете уреда правилно  Измийте филтъра
Силен шум при движение	Дренажната тръба не е плътно свързана.  Тръбата е блокирана.	Проверете дренажната тръба.  Почистете отломките в тръбата.

## 8. ИЗВЕЖДАНЕ ОТ ЕКСПЛОАТАЦИЯ

### 8.1 СЪХРАНЕНИЕ

Дългосрочно съхранение – Ако няма да използвате уреда за продължителен период от време (повече от няколко седмици), най-добре е да почистите уреда и да го изсушите напълно. Моля, съхранявайте уреда, като следвате следните стъпки:

- a) Натиснете бутона за захранване, за да изключите и извадете щепсела.
- b) Източете останалата вода от уреда.
- c) Почистете филтъра и го оставете да изсъхне напълно на сенчесто място.
- d) Вземете захранващия кабел от резервоара за вода.
- e) Поставете отново филтъра на мястото му.
- f) Устройството трябва да се държи в изправено положение, когато се съхранява.
- g) Съхранявайте машината на вентилирано, сухо, некорозивен газ и безопасно място на закрито.

**ВНИМАНИЕ:** Изпарителят вътре в машината трябва да бъде изсушен, преди модулът да бъде опакован, за да се избегнат повреди на компонентите и мухъл. Изключете уреда от контакта и го поставете на сухо открито място за дни, за да изсъхне. Друг начин за изсушаване на модула е да настроите точката на влажност с повече от 5% по-висока от влажността на околната среда, за да накарате вентилатора да изсуши изпарителя за няколко часа.

## 8.2 ИЗХВЪРЛЯНЕ

### **ВНИМАНИЕ!!!**



Изпускането на хладилен агент в атмосферата е строго забранено!

Не изхвърляйте електрическите уреди като несортирани битови отпадъци, използвайте съоръжения за разделно събиране. Свържете се с местното

правителство за информация относно наличните системи за събиране. Ако се изхвърлят електрически уреди на сметища или сметища, опасните вещества могат да изтекат в подпочвените води и да попаднат в хранителната верига, увреждайки вашето здраве и благополучие.



### **EN 2 Years Warranty**

This warranty covers defects of construction, manufacturing and material. Excluded are all wearing parts and improper usage, or consequential damages due to lack of cleaning of the appliance.

### **RO Garantie 3 ani (valabil numai in Romania)**

Aceasta garantie acopera defectele de constructie, fabricatie si materialele din care este confectionat dispozitivul. Nu fac obiectul garantiei utilizarea necorespunzatoare, uzura normala a elementelor sau defectele aparute in urma necuratarii corespunzatoare a dispozitivului.

### **DE 2 Jahre Garantie**

Diese Garantie deckt Konstruktions-, Verarbeitungs- und Materialfehler ab, aus denen das Gerät besteht. Unsachgemäße Verwendung, normaler Verschleiß der Elemente oder Mängel aufgrund unsachgemäßer Reinigung des Geräts unterliegen nicht der Garantie.

### **ES Garantía 2 años**

Esta garantía cubre los defectos de construcción, fabricación y los materiales de los que está hecho el dispositivo. No están cubiertos por la garantía el desgaste normal de los componentes o los defectos resultantes de la falta de limpieza adecuada del dispositivo.

### **FR Garantie 2 ans**

Cette garantie couvre les défauts de construction, de fabrication et les matériaux dont le dispositif est fait. Garantie ne couvre pas l'utilisation inappropriée, l'usure normale des éléments ou les défauts apparus après le manque de nettoyage approprié du dispositif.

### **IT 2 anni di garanzia**

Questa garanzia copre difetti di costruzione, di produzione e di materiale. L'uso improprio, la normale usura degli elementi o difetti derivanti da una pulizia impropria del dispositivo non sono soggetti a garanzia.

### **HU 2 év garancia**

Ez a garancia az építési, gyártási és anyaghibákra vonatkozik. Kivéve az összes kopó alkatrészt és a nem megfelelő használatot, illetve a készülék tisztításának elmulasztásából eredő következményes károkat.

### **BG 2 години гаранция**

Тази гаранция покрива дефекти в конструкцията, производството и материалите. Изключени са всички износващи се части и неправилна употреба или последващи щети поради липса на почистване на уреда.

